



Aluminum Brick Mould & Flat Casing Application for Aluminum Clad Wood Products Thru Frame Installation Required

● **WARNINGS!**

- A. EXTERIOR ALUMINUM ACCESSORIES ARE NOT TO BE UTILIZED FOR A WATER TIGHT INSTALLATION.
- B. USE OF A NAIL FIN WITH ALUMINUM EXTERIOR ACCESSORIES, I.E. 2" BRICK MOULD, 2 1/2" OVALO BRICK MOULD & FLAT CASING, FOR INSTALLATION, IS NOT A WATER TIGHT, RATED OR RECOMMENDED METHOD OF INSTALLATION.
- C. ATTACHING A NAIL FIN TO AN EXTERIOR ALUMINUM ACCESSORY AND USING THE NAIL FIN AS THE MAIN COMPONENT FOR SECURING THE INSTALLATION, WILL VOID ALL STATED OR IMPLIED WARRANTIES.
- D. DURING THE INSTALLATION PROCESS AND IN CONJUNCTION WITH THE THRU FRAME INSTALLATION, NAIL FIN ATTACHED TO THE ACCESSORY MAY BE USED TO AID THE INSTALLER WITH PLUMB, LEVEL, & SQUARE OF A WINDOW / DOOR UNIT.

● **THRU FRAME INSTALLATION NOTES AND GUIDELINES:**

- 1. THRU FRAME INSTALLATION IS REQUIRED WHEN FACTORY OR FIELD APPLIED EXTERIOR ALUMINUM ACCESSORIES ARE APPLIED TO WINDOWS OR DOORS.
- 2. THRU FRAME INSTALLATION IS A DESIGN PRESSURE (STRUCTURAL) TESTED AND RATED METHOD OF INSTALLATION FOR *SOME* PRODUCTS, THESE INCLUDE, IMPACT AND NON-IMPACT, CASEMENT OPERATING, STATIONARY PICTURE FIXED, AWNING OPERATING, DIRECT SET, MONUMENT OPERATING DOUBLE/SINGLE HUNG PIC SASH'N FRAME AND OUTSWING PATIO DOOR PRODUCTS. PRODUCT SPECIFIC THRU FRAME INSTRUCTIONS ARE AVAILABLE, PLEASE CONTACT THE HURD ARCHITECTURAL DEPARTMENT @ 1-800-433-4873 Ext. 1425 TO OBTAIN PRODUCT SPECIFIC THRU FRAME INSTALLATION INSTRUCTIONS.
- 3. TYPICAL GUIDELINES FOR THRU FRAME INSTALLATION:
- 4. PRE-DRILL SCREW HOLES 3-6" FROM EACH CORNER AND 12-16" ON CENTER THEREAFTER INTO THE FRAME OF THE WINDOW / DOOR UNIT.
- 5. THRU FRAME INSTALLATION REQUIRES #10 X _ PFH (PHILLIPS FLAT HEAD) SS SCREWS LONG ENOUGH TO PENETRATE THE SHEATHING BY A MINIMUM OF 1-1/4" EMBEDMENT. PROPER FLASHING AND SEALANT ARE REQUIRED.
- 6. BUILDING WRAP / FELT MUST BE TRIMMED AWAY FROM THE ROUGH OPENING AT HEAD AND JAMBS. BACK OF BRICK MOULD MUST COME IN DIRECT CONTACT WITH THE BARE SHEATHING / EXTERIOR OF FRAMING OF THE BUILDING.
- 7. AT THE SILL, BUILDING WRAP CAN BE ROLLED AND TACKED INTO THE OPENING. SILL PANNING SYSTEM CAN ALSO BE UTILIZED. SILL PANNING SYSTEMS PROVIDED BY OTHERS.
- 8. **ADDITIONAL FLASHING DETAILS AND INFORMATION ARE AVAILABLE IN THE FULL INSTALLATION BROCHURE, PROVIDED WITH UNITS AND ON THE HURD WEB SITE www.hurd.com/builder/installation.**

| FRAME ANCHOR REQUIREMENTS TABLE | | | |
|---|--|---------------|--------------------|
| FRAME SHEAR SCREWS | | | |
| OPENING TYPE (SUBSTRATE) | FRAME/CLIP/NAIL FIN TO OPENING FASTENER TYPE | MINIMUM EMBED | MINIMUM EDGE DIST. |
| 2X_ WOOD FRAME OR BUCK (MIN. GR. 3 & G=0.55) | NO. 10 SMS OR WOOD SCREW | 1 1/4" | 3/4" |
| MIN. 18 GA. 33 KSI METAL STUD | NO. 10 SELF TAP/DRILLING SCREW | FULL | 1/2" |
| MIN. 1/8" THK A36 STEEL | NO. 10 SELF TAP/DRILLING SCREW | FULL | 1/2" |
| MIN. 1/8" THK 6063-T5 ALUM. | NO. 10 SELF TAP/DRILLING SCREW | FULL | 1/2" |
| CMU/CONCRETE | ⁽¹⁾ 1/4" CONCRETE SCREW | 1 1/4" | 2" |
| (1) CONCRETE SCREWS SHALL BE ELCO OR ITW RAMSET/RED HEAD TAPCONS, HILTI KWIK-CON II OR POWERS RAWL TAPPER (HARDENED STEEL OR S.S.). | | | |

CASEMENT/AWNING WINDOWS, ALL OTHER WINDOW PRODUCTS SIMILAR



2" Aluminum Brick Mould for Aluminum Clad Wood Products
Parts and In Place Details Thru Frame Installation Required

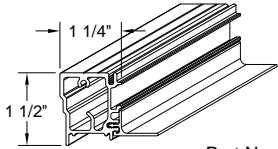
2011

FORMULAS:

BRICK MOULD HEIGHT =
 BASIC UNIT HEIGHT + 2.062"

BRICK MOULD WIDTH =
 BASIC UNIT WIDTH + 2.625"

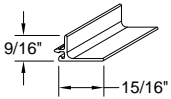
Drawn 1" = 1"
 Printed 3" = 1"



Part Numbers

| COLOR | LINEAL | 14' 6" | 20' |
|-----------|--------|--------|--------|
| WHITE | 017316 | 017280 | 017287 |
| BRONZE | 017317 | 017285 | 017292 |
| SAND | 017318 | 017282 | 017289 |
| GREEN | 017319 | 017283 | 017290 |
| RED | 017320 | 017281 | 017288 |
| EGGSHELL | 017321 | 017284 | 017291 |
| JET BLACK | 017322 | 017286 | 017293 |

Fastener Adder
 L/F PART# 977245

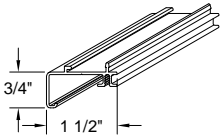


Corner Gasket
 2 Required Per Unit
 Apply One at each corner
 at the head.

| PART# | | |
|--------|--------|--------|
| WHITE | BLACK | SAND |
| 092625 | 092626 | 092627 |

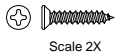
3/4" x 1 1/2" Simulated Aluminum Sill Nosing
 Lineal Foot Part#s

| COLOR | PART# |
|-----------|--------|
| WHITE | 012984 |
| BRONZE | 012985 |
| SAND | 012986 |
| GREEN | 012987 |
| RED | 012989 |
| EGGSHELL | 012990 |
| JET BLACK | 095633 |

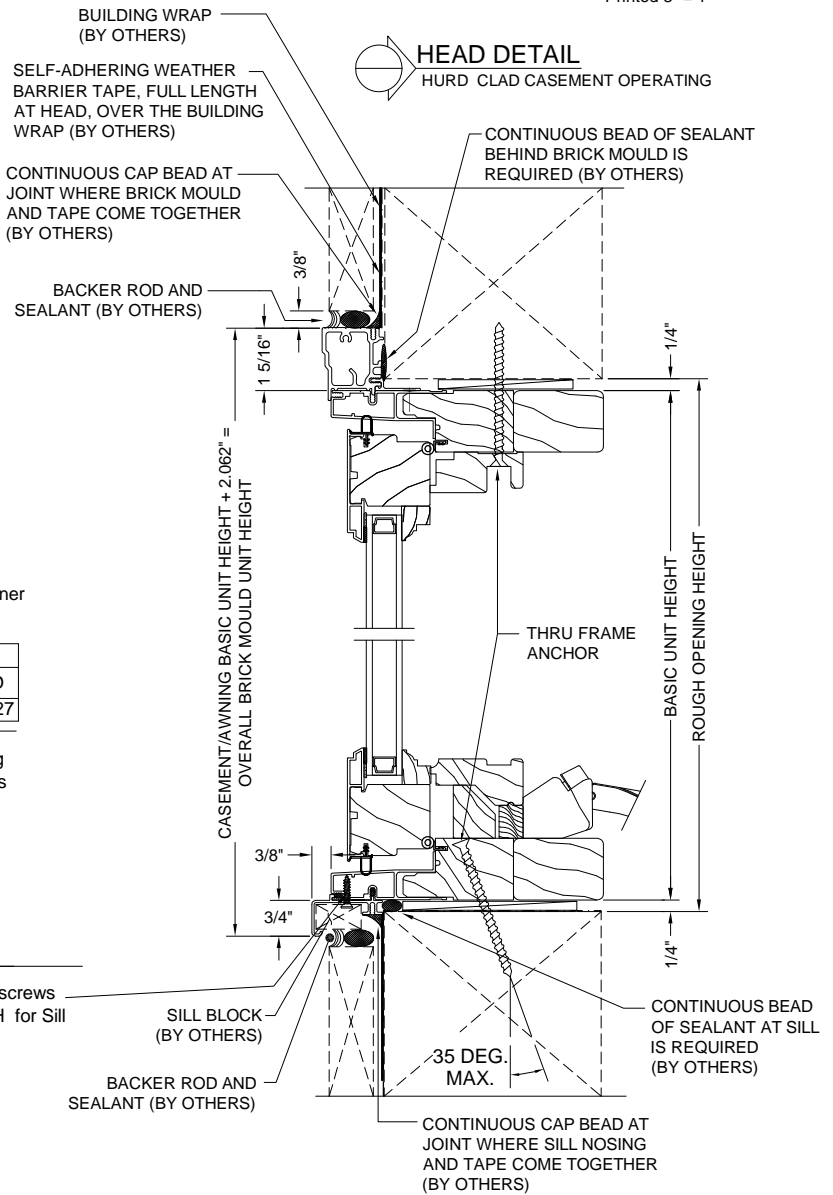
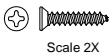


#6x3/4 Flat Head ZINC screw for
 fastening corners together

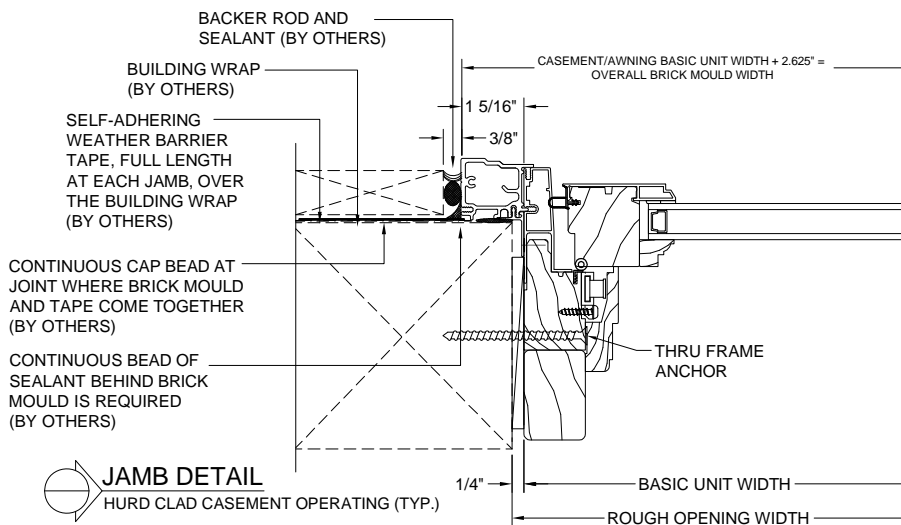
| | |
|----------|--------|
| WHITE | 014799 |
| BRONZE | 014798 |
| RED | 075320 |
| EGGSHELL | 075261 |
| GREEN | 032141 |
| SAND | 015583 |



Flat Head ZINC screws
 #6 x 3/4" PH FH for Sill
 Part# 010608



SILL DETAIL
 HURD CLAD CASEMENT OPERATING



Hurd Windows & Doors offers these general suggestions for typical installations in the type of construction represented. This is a supplement and not a replacement to the full installation instructions provided by Hurd. You must use the full installation instructions in conjunction with this installation suggestion supplement. Full installation instruction can be found on the Hurd web site, www.hurd.com

Installation requirements may vary in particular locations and in other types of construction. Proper installation is essential, and Hurd Windows & Doors recommends consultation with an AAMA Certified Installer, or other qualified experienced building professional before installation of any Hurd product. Proper installation of Hurd products is the responsibility of the installer. Hurd is not responsible for proper installation. Hurd is not responsible for the design of, conditions in, or performance of building construction beyond the perimeters of the Hurd units. Hurd is not responsible for proper integration of the Hurd units with the weather-repellent systems of the building.

HURD CLAD ARCH INSWING PATIO DOOR

2" Aluminum Brick Mould

for Aluminum Clad Wood Arch Products Thru Frame Installation Required

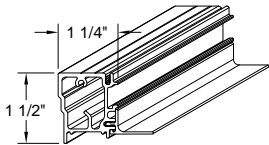


2011

FORMULAS:

BRICK MOULD HEIGHT =
BASIC UNIT HEIGHT + 1.3125"

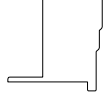
BRICK MOULD WIDTH =
BASIC UNIT WIDTH + 2.625"



| COLOR | LINEAL | 14' 6" | 20' |
|-----------|--------|--------|--------|
| WHITE | 017316 | 017280 | 017287 |
| BRONZE | 017317 | 017285 | 017292 |
| SAND | 017318 | 017282 | 017289 |
| GREEN | 017319 | 017283 | 017290 |
| RED | 017320 | 017281 | 017288 |
| EGGSHELL | 017321 | 017284 | 017291 |
| JET BLACK | 017322 | 017286 | 017293 |

Part Numbers

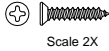
45° Corner Gasket 2 Required Per Unit
Apply One at each corner at the head.



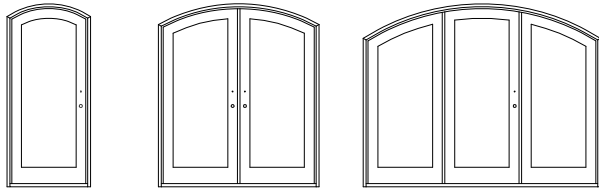
| PART# | | |
|--------|--------|--------|
| WHITE | BLACK | SAND |
| 092625 | 092626 | 092627 |

#6x3/4 Flat Head ZINC screw for
fastening corners together

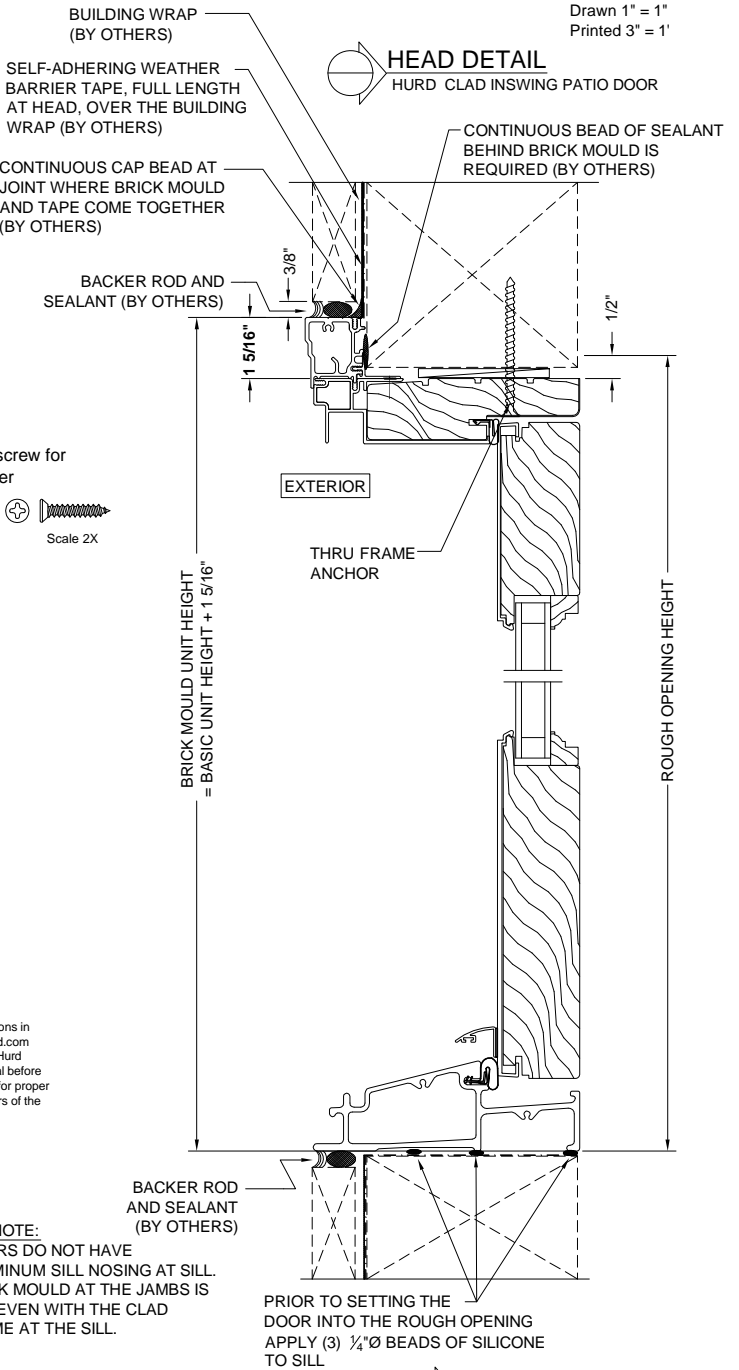
| | |
|----------|--------|
| WHITE | 014799 |
| BRONZE | 014798 |
| RED | 075320 |
| EGGSHELL | 075261 |
| GREEN | 032141 |
| SAND | 015583 |



Applies to 1, 2 & 3
Panel Arch Inswing Doors



Hurd Windows & Doors offers these general suggestions for typical installations in the type of construction represented. This is a supplement and not a replacement to the full installation instructions provided by Hurd. You must use the full installation instructions in conjunction with this installation suggestion supplement. Full installation instruction can be found on the Hurd web site, www.hurd.com. Installation requirements may vary in particular locations and in other types of construction. Proper installation is essential, and Hurd Windows & Doors recommends consultation with an AAMA Certified Installer, or other qualified experienced building professional before installation of any Hurd product. Proper installation of Hurd products is the responsibility of the installer. Hurd is not responsible for proper integration of the Hurd units with the weather-repellent systems of the building.

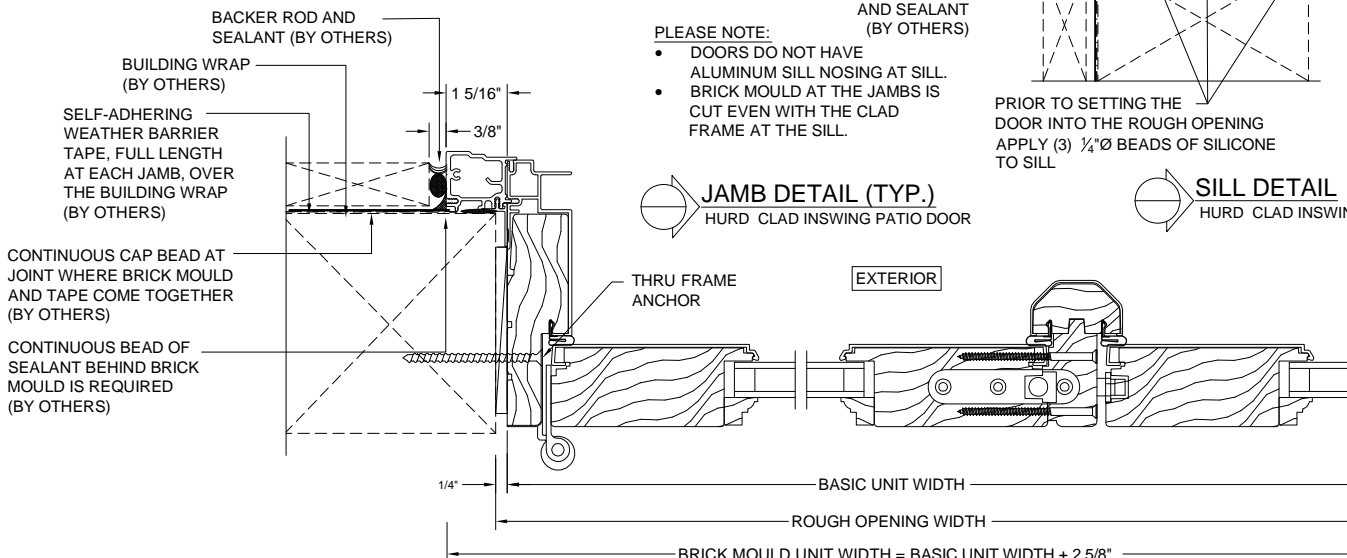


PLEASE NOTE:

- DOORS DO NOT HAVE ALUMINUM SILL NOSING AT SILL.
- BRICK MOULD AT THE JAMBS IS CUT EVEN WITH THE CLAD FRAME AT THE SILL.

JAMB DETAIL (TYP.)
HURD CLAD INSWING PATIO DOOR

SILL DETAIL
HURD CLAD INSWING PATIO DOOR



CASEMENT/AWNING WINDOWS, ALL OTHER WINDOW PRODUCTS SIMILAR



2 1/2" Ovalo Aluminum Brick Mould for Aluminum Clad Wood Products Thru Frame Installation Required

2011

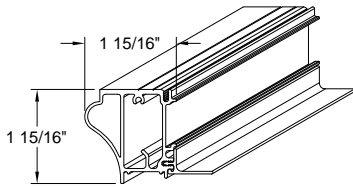
FORMULAS:

BRICK MOULD **HEIGHT** =
BASIC UNIT HEIGHT + 2.50"

FORMULAS:

BRICK MOULD **WIDTH** =
BASIC UNIT WIDTH + 3.50"

Drawn 1" = 1"
Printed 3" = 1"

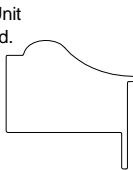


Simulated 2 1/2" Ovalo Aluminum Brick Mould
144" Length Part Numbers

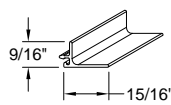
| COLOR | PART# |
|-----------|--------|
| WHITE | 096718 |
| BRONZE | 096719 |
| SAND | 096720 |
| GREEN | 096721 |
| RED | 096723 |
| EGGSHELL | 096722 |
| JET BLACK | 096724 |

45° Corner Gasket 2 Required Per Unit
Apply One at each corner at the head.

| PART# | | |
|--------|--------|--------|
| WHITE | BLACK | SAND |
| 096290 | 096291 | 096292 |

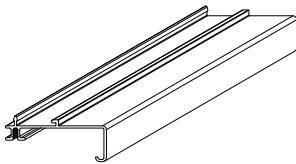


Fastener Adder
L/F PART# 977245



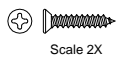
3/4" x 2 1/8" Simulated Aluminum Sill Nosing
14' 1/2" (174") Length Part #s

| COLOR | PART# | COLOR | PART# |
|----------------|--------|--------------|--------|
| WHITE | 096874 | SAGE BROWN | 043533 |
| EGGSHELL | 096878 | BAHAMA BROWN | 043527 |
| COLONIAL WHITE | 043530 | BRICK RED | 096879 |
| BURNT SUN | 043529 | BOYSENBERRY | 043528 |
| DRIED WHEAT | 043531 | JET BLACK | 096880 |
| SAND | 096876 | | |
| PATINA GREEN | 043532 | | |
| ASPEN MOSS | 043526 | | |
| BRONZE | 096875 | | |
| GREEN | 096877 | | |

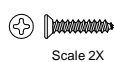


#6x3/4 Flat Head ZINC screw for
fastening corners together

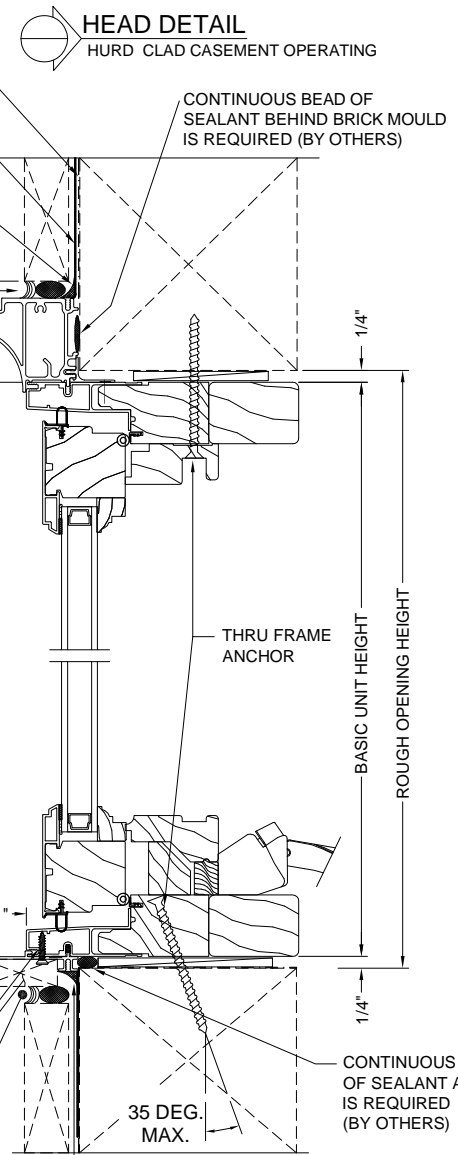
| | |
|----------|--------|
| WHITE | 014799 |
| BRONZE | 014798 |
| RED | 075320 |
| EGGSHELL | 075261 |
| GREEN | 032141 |
| SAND | 015583 |



Flat Head ZINC screws
#6 x 3/4" PH FH for Sill
Part# 010608

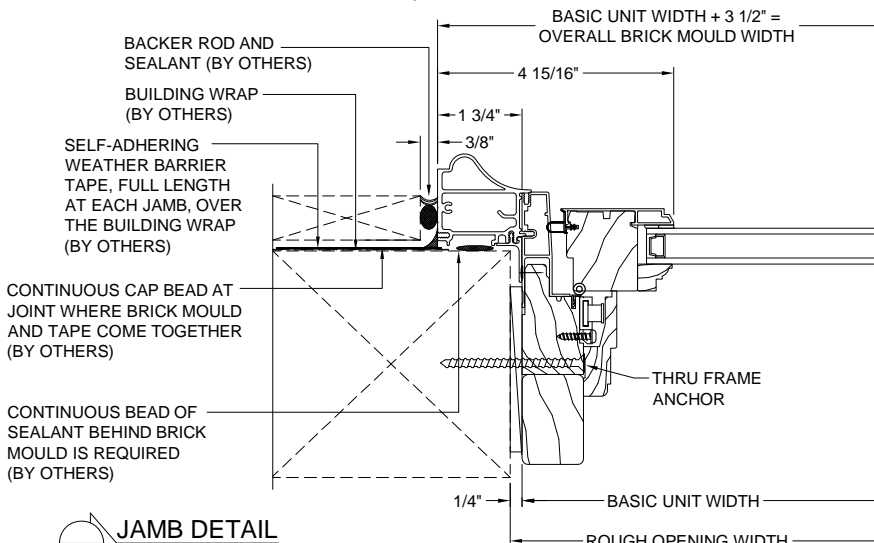


SILL BLOCK (BY OTHERS)
BACKER ROD AND
SEALANT (BY OTHERS)



HEAD DETAIL

HURD CLAD CASEMENT OPERATING



JAMB DETAIL

HURD CLAD CASEMENT OPERATING (TYP.)

Hurd Windows & Doors offers these general suggestions for typical installations in the type of construction represented. This is a supplement and *not* a replacement to the full installation instructions provided by Hurd. You must use the full installation instructions in conjunction with this installation suggestion supplement. Full installation instruction can be found on the Hurd web site, www.hurd.com

Installation requirements may vary in particular locations and in other types of construction. Proper installation is essential, and Hurd Windows & Doors recommends consultation with an AAMA Certified Installer, or other qualified experienced building professional before installation of any Hurd product. Proper installation of Hurd products is the responsibility of the installer. Hurd is not responsible for proper installation. Hurd is not responsible for the design of, conditions in, or performance of building construction beyond the perimeters of the Hurd units. Hurd is not responsible for proper integration of the Hurd units with the weather-repellent systems of the building.

CASEMENT/AWNING WINDOWS, ALL OTHER WINDOW PRODUCTS SIMILAR



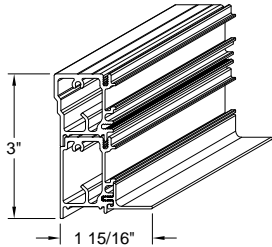
3 1/2" Aluminum Brick Mould for Aluminum Clad Wood Products Thru Frame Installation Required

Drawn 1" = 1"
Printed 3" = 1"

FORMULAS:

BRICK MOULD HEIGHT =
BASIC UNIT HEIGHT + 3.562"

BRICK MOULD WIDTH =
BASIC UNIT WIDTH + 5.625"



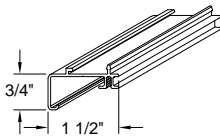
3 1/2" Aluminum Brick Mould L/F Part#

| COLOR | PART# |
|-----------|--------|
| WHITE | 096609 |
| BRONZE | 096610 |
| AND | 096611 |
| GREEN | 096612 |
| RED | 096614 |
| EGGSHELL | 096613 |
| JET BLACK | 096615 |



45° Corner Gasket
2 Required Per Unit
Apply One at each
corner at the head.

| PART# | | |
|--------|--------|--------|
| WHITE | BLACK | SAND |
| 096305 | 096306 | 096307 |



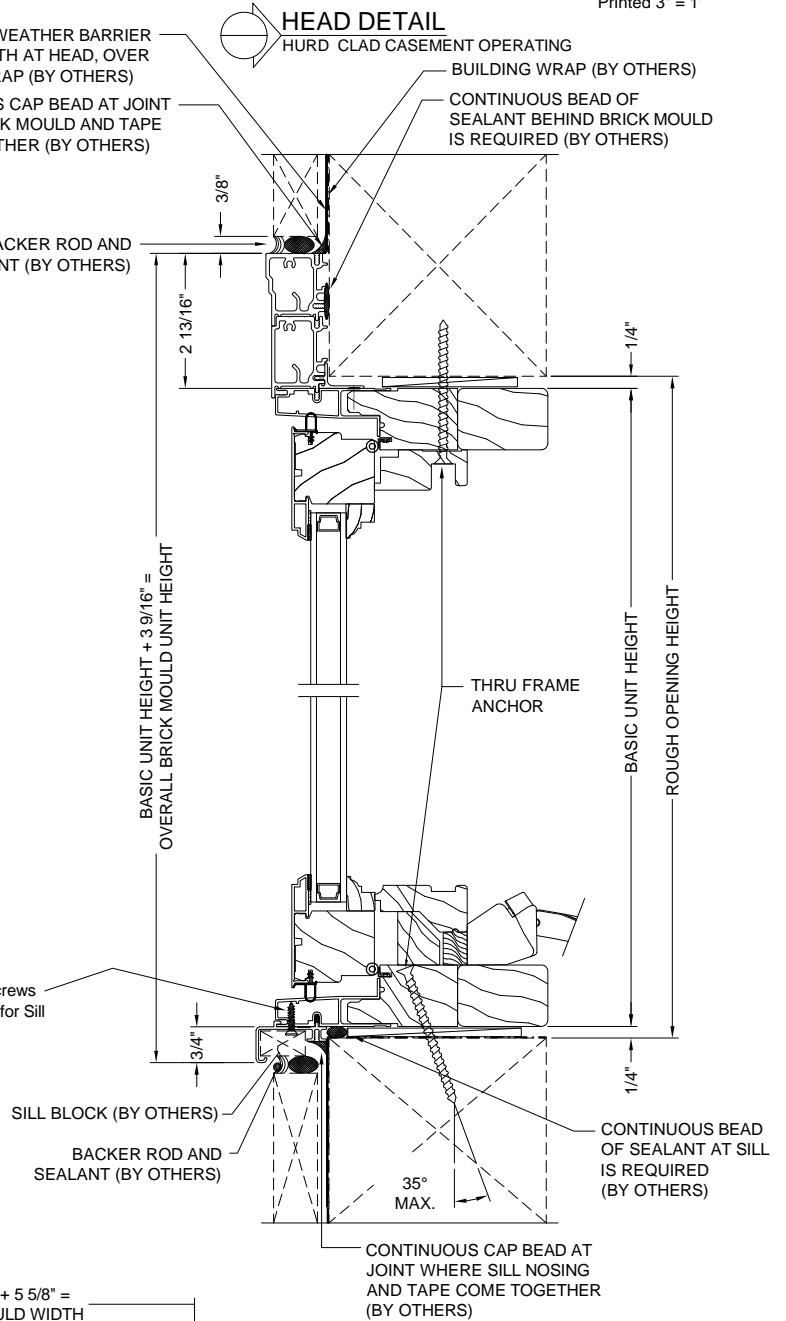
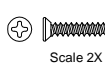
3/4" x 1 1/2" Simulated Aluminum Sill Nosing

| COLOR | PART# | Lineal Foot Part#s |
|-----------|--------|--------------------|
| WHITE | 012984 | |
| BRONZE | 012985 | |
| SAND | 012986 | |
| GREEN | 012987 | |
| RED | 012989 | |
| EGGSHELL | 012990 | |
| JET BLACK | 095633 | |

#6x3/4 Flat Head ZINC screw for
fastening corners together

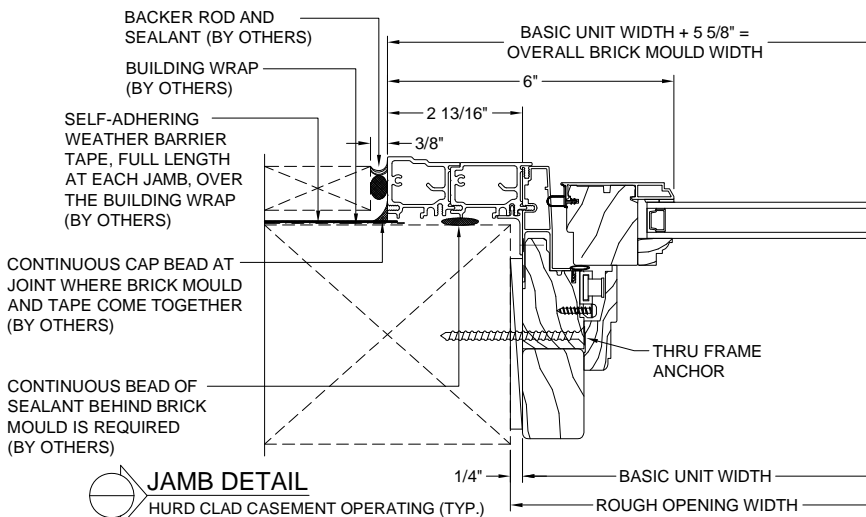
| | | |
|----------|--------|--|
| WHITE | 014799 |  Scale 2X |
| BRONZE | 014798 | |
| RED | 075320 | |
| EGGSHELL | 075261 | |
| GREEN | 032141 | |
| SAND | 015583 | |

Flat Head ZINC screws
#6 x 3/4" PH FH for Sill
Part# 010608



SILL DETAIL
HURD CLAD CASEMENT OPERATING

Hurd Windows & Doors offers these general suggestions for typical installations in the type of construction represented. This is a supplement and **not** a replacement to the full installation instructions provided by Hurd. You must use the full installation instructions in conjunction with this installation suggestion supplement. Full installation instruction can be found on the Hurd web site, www.hurd.com. Installation requirements may vary in particular locations and in other types of construction. Proper installation is essential, and Hurd Windows & Doors recommends consultation with an AAMA Certified Installer, or other qualified experienced building professional before installation of any Hurd product. Proper installation of Hurd products is the responsibility of the installer. Hurd is not responsible for proper installation. Hurd is not responsible for the design of, conditions in, or performance of building construction beyond the perimeters of the Hurd units. Hurd is not responsible for proper integration of the Hurd units with the weather-repellent systems of the building.



JAMB DETAIL
HURD CLAD CASEMENT OPERATING (TYP.)

CASEMENT/AWNING WINDOWS, ALL OTHER WINDOW PRODUCTS SIMILAR



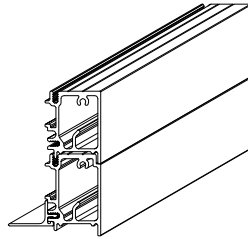
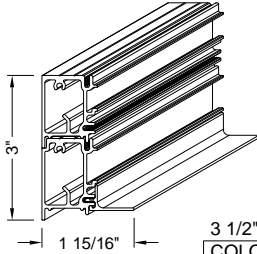
**3 1/2" Aluminum Flat Casing for Aluminum Clad Wood Products
Parts and In Place Details, Thru Frame Installation Required**

2011

FORMULAS:

BRICK MOULD HEIGHT =
BASIC UNIT HEIGHT + 3.562"

BRICK MOULD WIDTH =
BASIC UNIT WIDTH + 5.625"



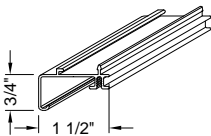
3 1/2" Aluminum Flat Casing L/F Part#s

| COLOR | PART# |
|-----------|--------|
| WHITE | 096617 |
| BRONZE | 096618 |
| SAND | 096619 |
| GREEN | 096600 |
| RED | 096622 |
| EGGSHELL | 096621 |
| JET BLACK | 096623 |



45° Corner Gasket
2 Required Per Unit
Apply One at each
corner at the head.

| PART# | | |
|--------|--------|--------|
| WHITE | BLACK | SAND |
| 096302 | 096303 | 096304 |

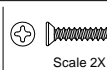
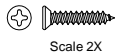


3/4" x 1 1/2" Simulated Aluminum Sill Nosing
Lineal Foot Part#s

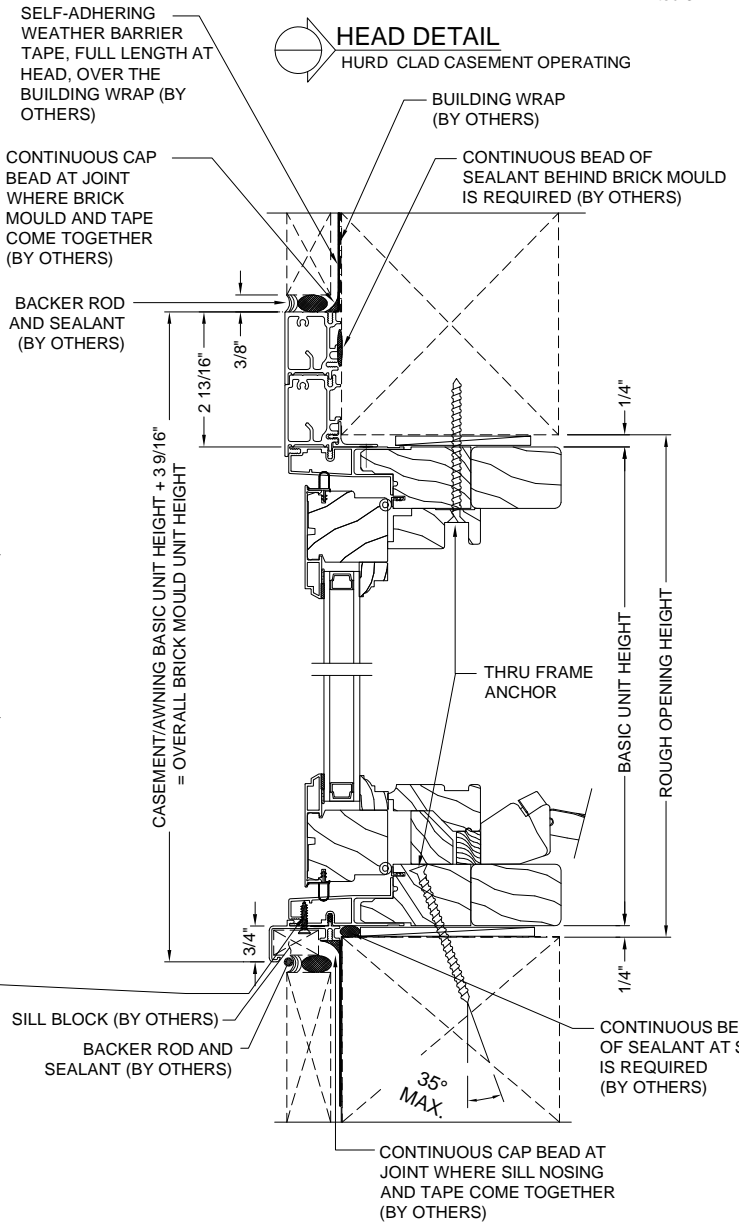
| COLOR | PART# |
|-----------|--------|
| WHITE | 012984 |
| BRONZE | 012985 |
| SAND | 012986 |
| GREEN | 012987 |
| RED | 012989 |
| EGGSHELL | 012990 |
| JET BLACK | 095633 |

#6x3/4 Flat Head ZINC screw for
fastening corners together

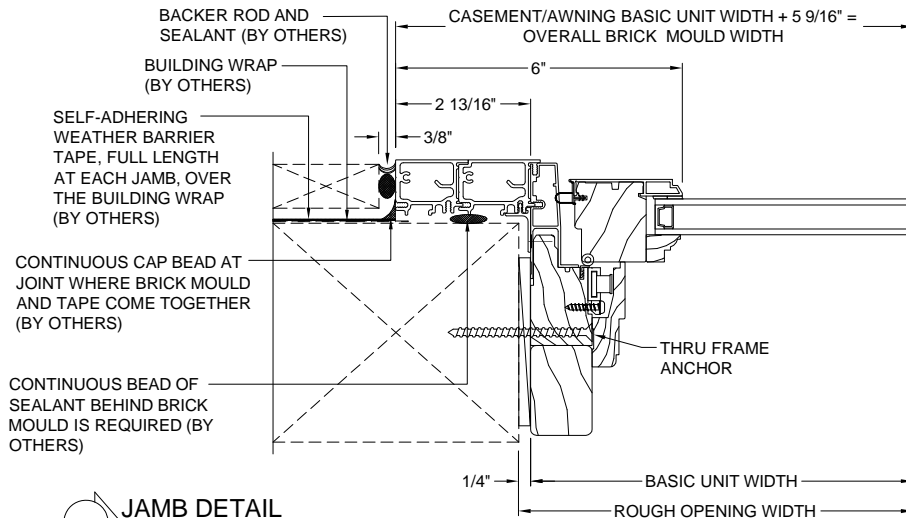
| | |
|----------|--------|
| WHITE | 014799 |
| BRONZE | 014798 |
| RED | 075320 |
| EGGSHELL | 075261 |
| GREEN | 032141 |
| SAND | 015583 |



Flat Head ZINC screws
#6 x 3/4" PH FH for Sill
Part# 010608



Drawn 1" = 1"
Printed 3" = 1"



Hurd Windows & Doors offers these general suggestions for typical installations in the type of construction represented. This is a supplement and not a replacement to the full installation instructions provided by Hurd. You must use the full installation instructions in conjunction with this installation suggestion supplement. Full installation instruction can be found on the Hurd web site, www.hurd.com

Installation requirements may vary in particular locations and in other types of construction. Proper installation is essential, and Hurd Windows & Doors recommends consultation with an AAMA Certified Installer, or other qualified experienced building professional before installation of any Hurd product. Proper installation of Hurd products is the responsibility of the installer. Hurd is not responsible for proper installation. Hurd is not responsible for the design of, conditions in, or performance of building construction beyond the perimeters of the Hurd units. Hurd is not responsible for proper integration of the Hurd units with the weather-repellent systems of the building.