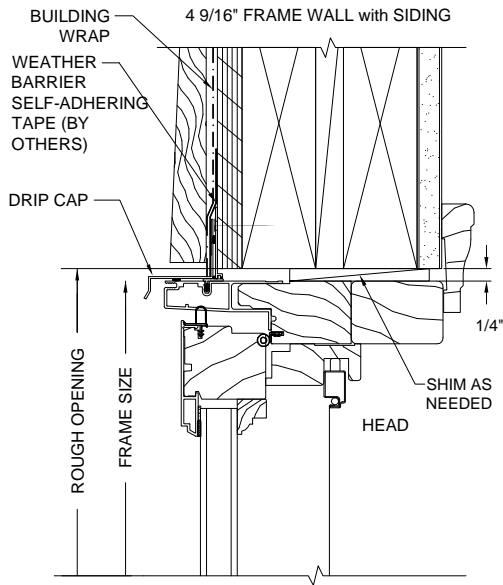


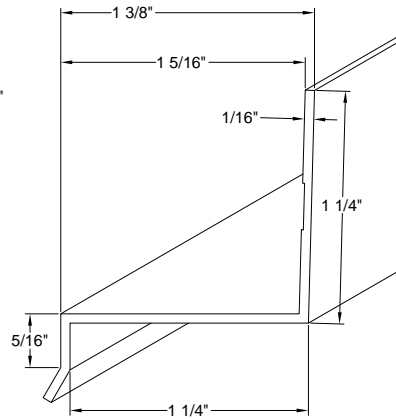
Not to Scale



ALUMINUM DRIP CAP - STANDARD

Part No:

COLOR	12'
WHITE	023857
BRONZE	023858
SAND	023859
GREEN	032032
EGGSHELL	072799
BRK RED	072971
JET BLACK	095277



IN-PLACE DETAIL Clad/Wood Casement unit shown, all others similar.

HWD Acquisitions, Inc., offers these general suggestions for typical installations in the type of construction represented. This is a supplement and not a replacement to the full installation instructions provided by Hurd. You must use the full installation instructions in conjunction with this installation suggestion supplement. Full installation instruction can be found on the Hurd website, www.hurd.com

Installation requirements may vary in particular locations and in other types of construction. Proper installation is essential, and HWD Acquisitions, Inc., recommends consultation with an AAMA Certified Installer, or other qualified experienced building professional before installation of any Hurd product. Proper installation of HWD products is the responsibility of the installer. HWD is not responsible for proper installation. HWD is not responsible for the design of, conditions in, or performance of building construction beyond the perimeters of the Hurd units. Hurd is not responsible for proper integration of the Hurd units with the weather-repellant systems of the building.