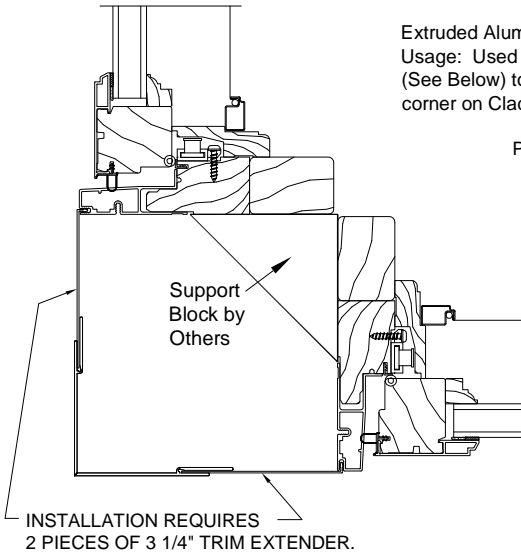


90-DEGREE OUTSIDE CORNER

IN-PLACE DETAIL (Not to scale)

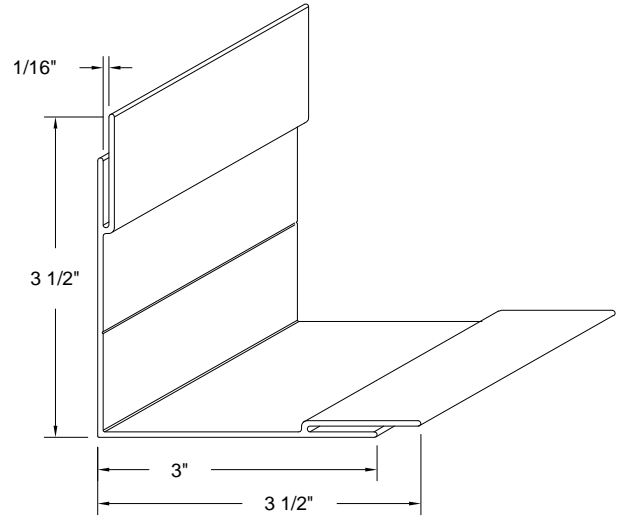


Extruded Aluminum
Usage: Used with Hurd 3 1/4" Trim Extender
(See Below) to create a color-matched 90°
corner on Clad units

Part No:

COLOR	12'
WHITE	023899
BRONZE	023900
SAND	023901
GREEN	023052
EGGSHELL	072819
BRK RED	072991
JET BLACK	095288

NOTE: ANY SIZE EXCEEDING 12'
LENGTHS, SPLICE AS REQUIRED



3 1/4" TRIM EXTENDER

Part No:

COLOR	12'
WHITE	023911
BRONZE	023912
SAND	023913
GREEN	032060
EGGSHELL	072827
BRK RED	072999
JET BLACK	095292

NOTE: ANY SIZE EXCEEDING 12'
LENGTHS, SPLICE AS REQUIRED

