



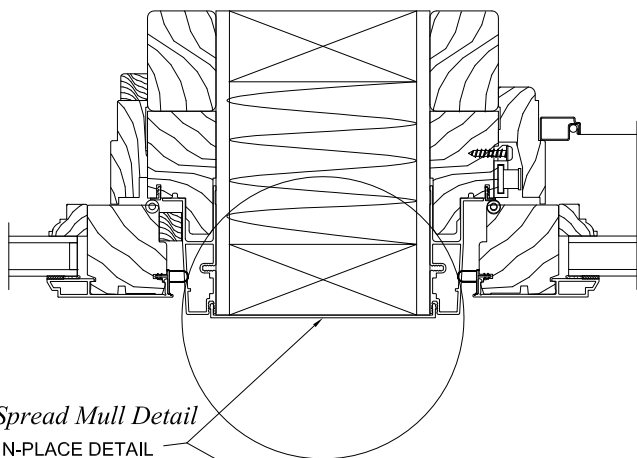
Aluminum/Wood 4" & 6" Exterior Mull Connector

Product Accessories Parts Catalog & Installation Suggestions

Not to Scale

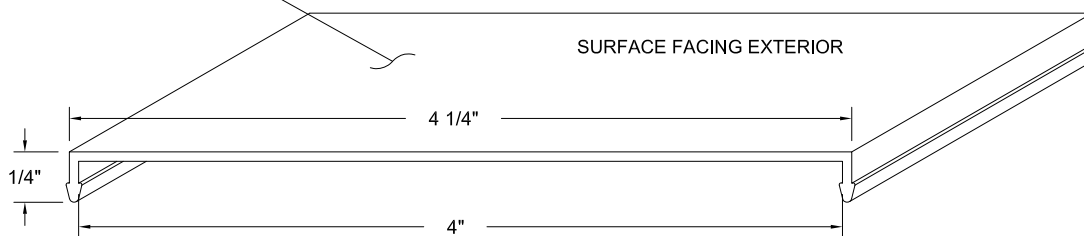
4" MULL CONNECTOR

Extruded Aluminum
Usage: To create a color-matched facade between mullered Clad UNITS.



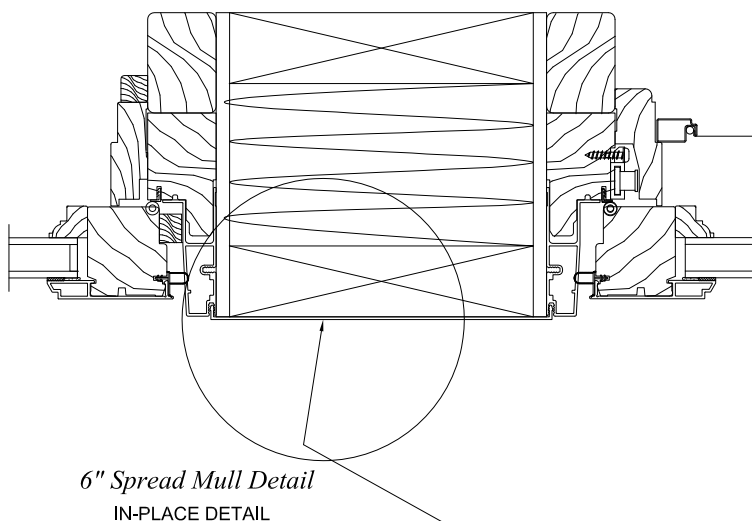
Part No:	COLOR	LINEAL FOOT PART NO.	12'
	WHITE	019896	023878
	BRONZE	019897	023879
	SAND	019898	023880
	GREEN	032045	032046
	EGGSHELL	072812	072813
	BRK RED	072984	072985
	JET BLACK	095573	095284

NOTE: ANY SIZE EXCEEDING 12' LENGTHS, SPLICE AS REQUIRED



6" ALUMINUM EXTERIOR MULL CONNECTOR

Extruded Aluminum
Usage: To create a color-matched facade between mullered Clad UNITS.



Part No:	COLOR	LINEAL FOOT PART NO.	12'
	WHITE	012978	092447
	BRONZE	012979	092448
	SAND	012980	092449
	GREEN	012981	092450
	EGGSHELL	012982	092451
	BRK RED	012983	092452
	JET BLACK	095574	095285

NOTE: ANY SIZE EXCEEDING 12' LENGTHS, SPLICE AS REQUIRED

