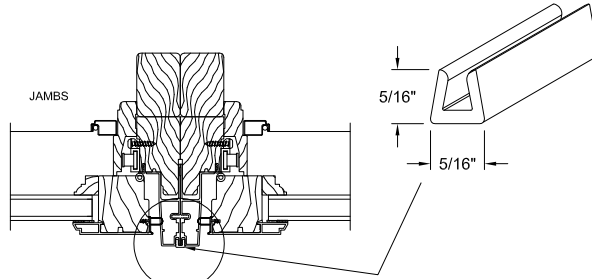


**STANDARD MULL CONNECTOR**



Vertical Tight Mull Detail  
IN-PLACE DETAIL

NOTE: ANY SIZE EXCEEDING 12'  
LENGTHS, SPLICE AS REQUIRED

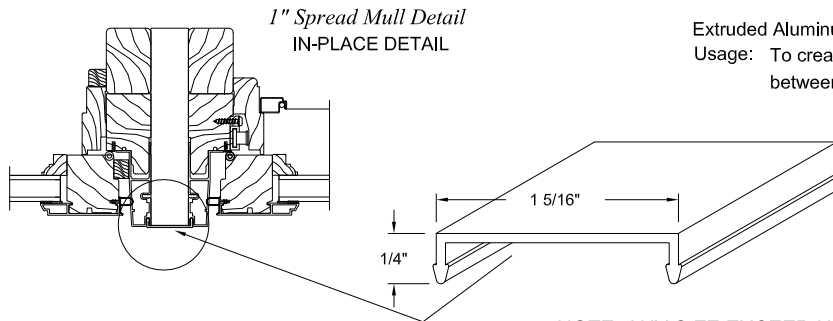
Extruded Aluminum

Usage: To mull Clad units together where no  
mullion reinforcement is necessary  
For VERTICAL/HORIZONTAL TIGHT MULLS

Part No:

COLOR	LINEAL FOOT PART NO.	12'
WHITE	011826	023869
BRONZE	011827	023870
SAND	015546	023871
GREEN	032039	032040
EGGSHELL	072806	072807
BRK RED	072978	072979
JET BLACK	095570	095281

**1" MULL CONNECTOR**



1" Spread Mull Detail  
IN-PLACE DETAIL

NOTE: ANY SIZE EXCEEDING 12'  
LENGTHS, SPLICE AS REQUIRED

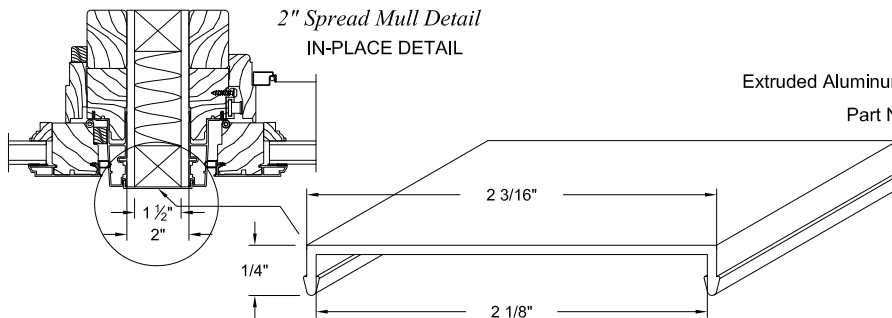
Extruded Aluminum (Wall Thickness 0.050")

Usage: To create a color-matched facade  
between mull Clad units

Part No:

COLOR	LINEAL FOOT PART NO.	12'
WHITE	020091	023872
BRONZE	020092	023873
SAND	020093	023874
GREEN	032041	032042
EGGSHELL	072808	072809
BRK RED	072980	072981
JET BLACK	095571	095282

**2" MULL CONNECTOR**



2" Spread Mull Detail  
IN-PLACE DETAIL

Extruded Aluminum (Wall Thickness 0.050")

Part No:

COLOR	LINEAL FOOT PART NO.	12'
WHITE	013515	023875
BRONZE	013516	023876
SAND	015550	023877
GREEN	032043	032044
EGGSHELL	072810	072811
BRK RED	072982	072983
JET BLACK	095572	095283