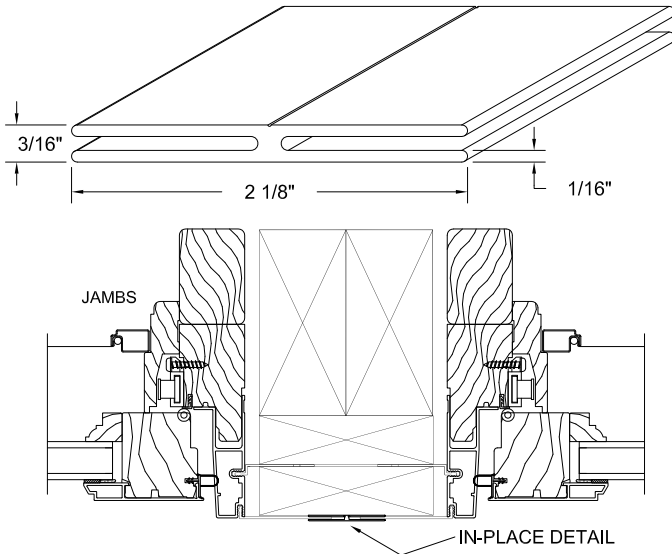


Not to Scale



MULL EXPANDER

Extruded Aluminum (Wall Thickness 0.062")
creates various color-matched facades
Usage: When used with Hurd Trim Extenders
creates various color-matched facades
for mullions.

Part No:	COLOR	LINEAL FOOT PART NO.	12'
	WHITE	012165	023881
	BRONZE	012164	023882
	SAND	015547	023883
	GREEN	032047	032048
	EGGSHELL	072814	072815
	BRK RED	072986	072987
	JET BLACK	095575	095286

NOTE: ANY SIZE EXCEEDING 12'
LENGTHS, SPLICE AS REQUIRED

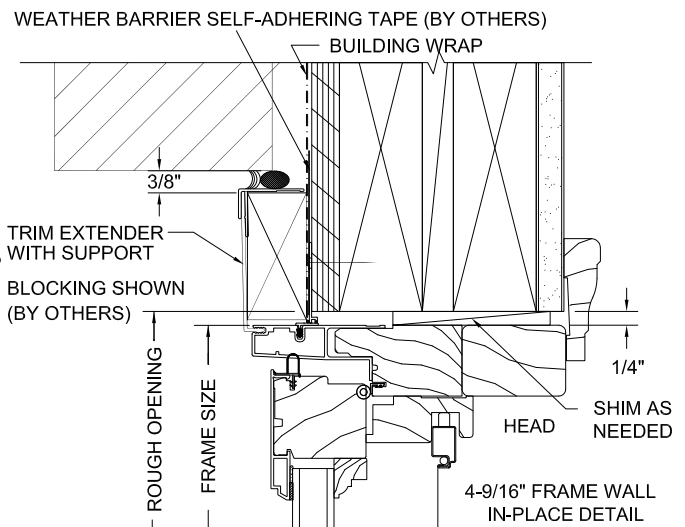
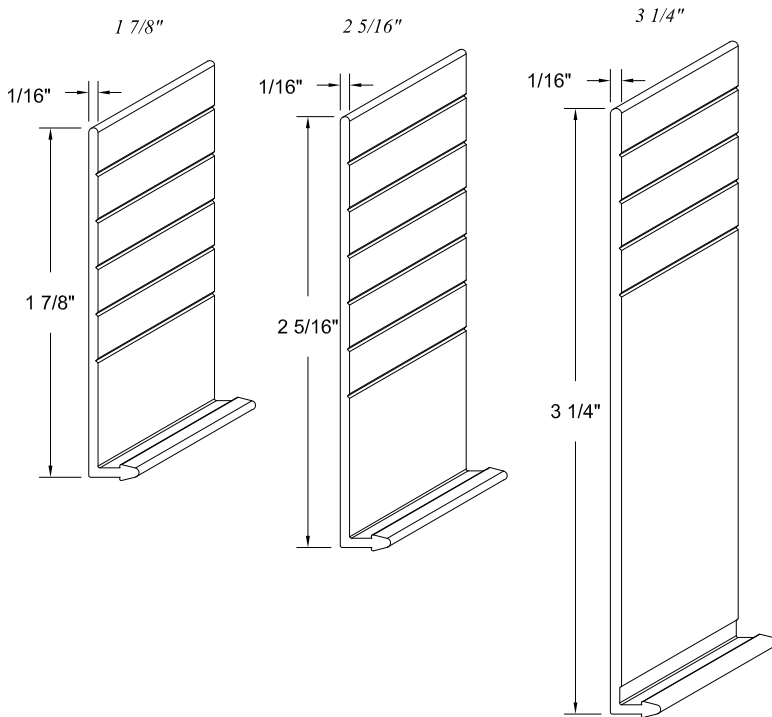
HWD Acquisitions, Inc., offers these general suggestions for typical installations in the type of construction represented. This is a supplement and not a replacement to the full installation instructions provided by Hurd. You must use the full installation instructions in conjunction with this installation suggestion supplement. Full installation instruction can be found on the Hurd website, www.hurd.com

Installation requirements may vary in particular locations and in other types of construction. Proper installation is essential, and HWD Acquisitions, Inc., recommends consultation with an AAMA Certified Installer, or other qualified experienced building professional before installation of any Hurd product. Proper installation of HWD products is the responsibility of the installer. HWD is not responsible for proper installation. HWD is not responsible for the design of, conditions in, or performance of building construction beyond the perimeters of the Hurd units. Hurd is not responsible for proper integration of the Hurd units with the weather-repellant systems of the building.

TRIM EXTENDERS

Extruded Aluminum
Usage: Used to simulate flat casing for Clad units

Part No:	1 7/8"	2 5/16"	3 1/4"
WHITE L/F	012163	015184	012382
WHITE 12'	023905	023908	023911
BRONZE L/F	012162	015185	012381
BRONZE 12'	023906	023909	023912
SAND L/F	015548	016108	015549
SAND 12'	023907	023910	023913
GREEN L/F	032055	032057	032059
GREEN 12'	032056	032058	032060
EGGSHELL L/F	072822	072824	072826
EGGSHELL 12'	072823	072825	072827
BRICK RED L/F	072994	072996	072998
BRICK RED 12'	072995	072997	072999
JET BLACK L/F	095290	095291	095292
JET BLACK 12'	095290	095291	095292



Not to Scale

TRIM EXTENDER RECEPTOR

Extruded Aluminum (Wall Thickness 0.055" / 6060-T5 Alloy)
Usage: Used with Hurd Trim Extenders Page 4.

Part No:

COLOR	LINEAL FOOT PART NO.	12'
WHITE	016110	023902
BRONZE	016109	023903
SAND	016111	023904
GREEN	032053	032054
EGGSHELL	072820	072815
BRK RED	072992	072993
JET BLACK	095578	095289

