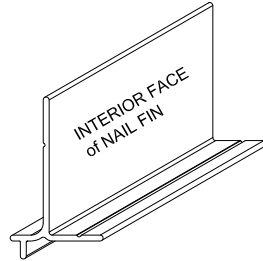
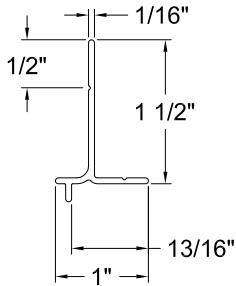




# Aluminum Clad Wood Product Accessories Parts Catalog & Installation Suggestions

Drawn to Full Scale  
Printed to 6" = 1' Scale

Aluminum Structural Nail Fin

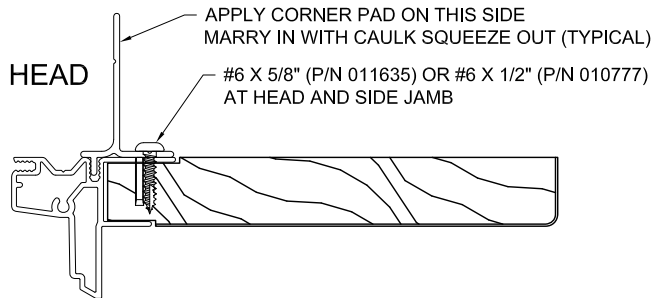


## Aluminum Structural Nail Fin

Part # 095921  
Lineal: 12'-0" (3658mm)  
Color: WHITE PAINTED, PRE-FABBED WITH PRE-PUNCH HOLES

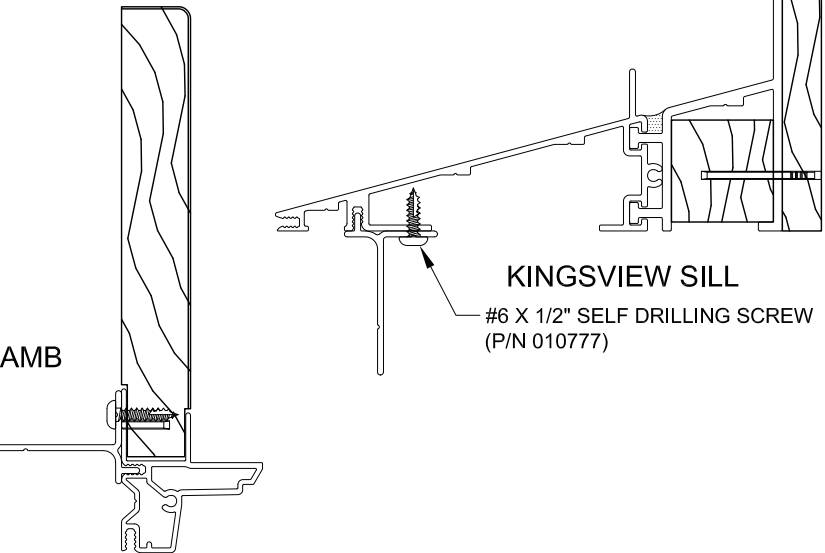
Part # 097130  
Lineal: 20'-0"  
Color: WHITE PAINT, NO HOLES

Clad Direct Set Shown, All Other Products Similar



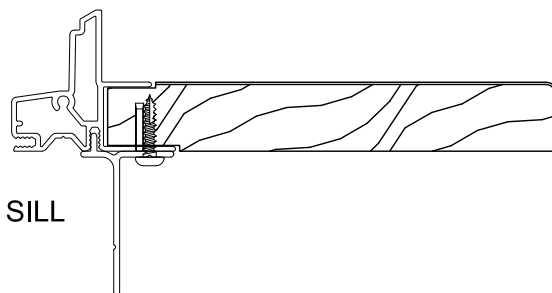
APPLY CORNER PAD ON THIS SIDE  
MARRY IN WITH CAULK SQUEEZE OUT (TYPICAL)

#6 X 5/8" (P/N 011635) OR #6 X 1/2" (P/N 010777)  
AT HEAD AND SIDE JAMB



KINGSVIEW SILL

#6 X 1/2" SELF DRILLING SCREW  
(P/N 010777)



SILL

1. APPLY 1/4" BEAD OF SM-5731 (TYPICAL ALL 4 SIDES)
2. SCREW NAIL FIN AT END HOLES AND 8"-10" O.C. (TYPICAL) PREDRILLING OF FRAME OPTIONAL

DS JAMB

