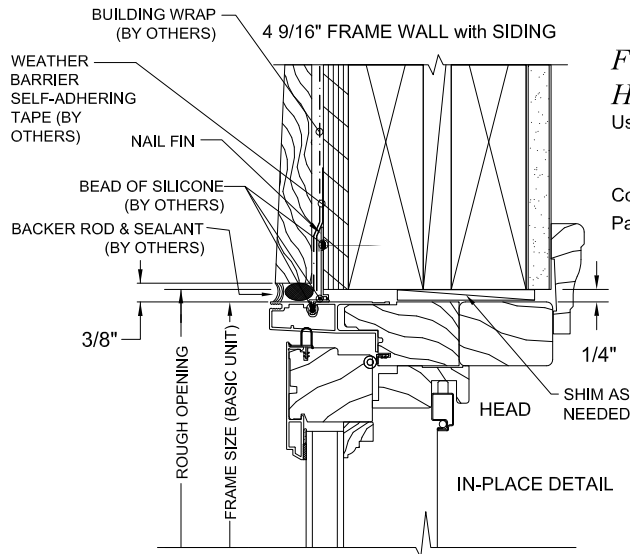
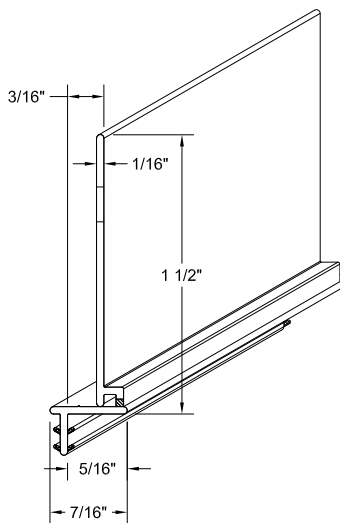


HWD Acquisition, Inc., offers these general suggestions for typical installations in the type of construction represented. This is a supplement and **not** a replacement to the full installation instructions provided by Hurd. You must use the full installation instructions in conjunction with this installation suggestion supplement. Full installation instruction can be found on the Hurd website, www.hurd.com

Installation requirements may vary in particular locations and in other types of construction. Proper installation is essential, and HWD Acquisition, Inc., recommends consultation with an AAMA Certified Installer, or other qualified experienced building professional before installation of any Hurd product. Proper installation of Hurd products is the responsibility of the installer. Hurd is not responsible for proper installation. Hurd is not responsible for the design of, conditions in, or performance of building construction beyond the perimeters of the Hurd units. Hurd is not responsible for proper integration of the Hurd units with the weather-repellant systems of the building.



FOLDING NAILING FIN
HEAD & SIDE

Usage: Installation of Clad units only

Color: Gray
Part No: 024194 L/F

CLAD
CASEMENT & AWNING
WINDOWS

CLAD
DOUBLE HUNG
WINDOWS

PART NO.	UNIT SIZE	DIM. A
037179	11	16 3/16"
028983	15	20 3/16"
028984	19	24 3/16"
028985	23	28 3/16"
028986	27	32 3/16"
028987	31	36 3/16"
028988	35	40 3/16"
028989	43	48 3/16"
028990	47	52 3/16"
028991	55	60 3/16"
028992	59	64 3/16"
028993	67	72 3/16"
037180	11-2	32 3/8"
028994	15-2	40 3/8"
028995	19-2	48 3/8"
028996	23-2	56 3/8"
028997	27-2	64 3/8"
037185	11-3	48 9/16"
028998	15-3	60 9/16"
028999	19-3	72 9/16"
029000	23-3	84 9/16"
029001	27-3	96 9/16"

HEAD & SIDE

HEAD ONLY

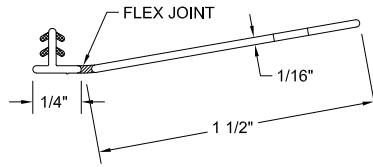
HEAD		
PART NO.	GLASS	DIM. A
SINGLE		
029066	16	21 15/32"
029067	20	25 15/32"
029068	24	29 15/32"
029069	28	33 15/32"
029070	32	37 15/32"
029071	36	41 15/32"
029072	40	45 15/32"
029073	44	49 15/32"
029074	48	53 15/32"
029075	56	61 15/32"
029076	64	69 15/32"

HEAD		
PART NO.	GLASS	DIM. A
MULLS		
032809	16	42 15/16"
032810	20	50 15/16"
032811	24	58 15/16"
032812	28	66 15/16"
032813	32	74 15/16"
032814	36	82 15/16"
032815	40	90 15/16"

PART NO.	OPERATOR GLASS	PICTURE GLASS	DIM. A
029077	12		32 9/16"
029078	14		36 9/16"
029079	16		40 9/16"
029080	20	41.125	48 9/16"
029081	22	45.125	52 9/16"
029082	24	49.125	56 9/16"
029085	24/36	61.125	68 9/16"
029086	26	53.125	60 9/16"
029083	28	57.125	64 9/16"
029085	30	61.125	68 9/16"
029088	32	65.125	72 9/16"
029084	34	69.125	76 9/16"
029089		73.125	80 9/16"
085281	40	81.125	88 9/16"
085282	42	85.125	92 9/16"

HWD Acquisition, Inc., offers these general suggestions for typical installations in the type of construction represented. This is a supplement and not a replacement to the full installation instructions provided by Hurd. You must use the full installation instructions in conjunction with this installation suggestion supplement. Full installation instruction can be found on the Hurd website, www.hurd.com

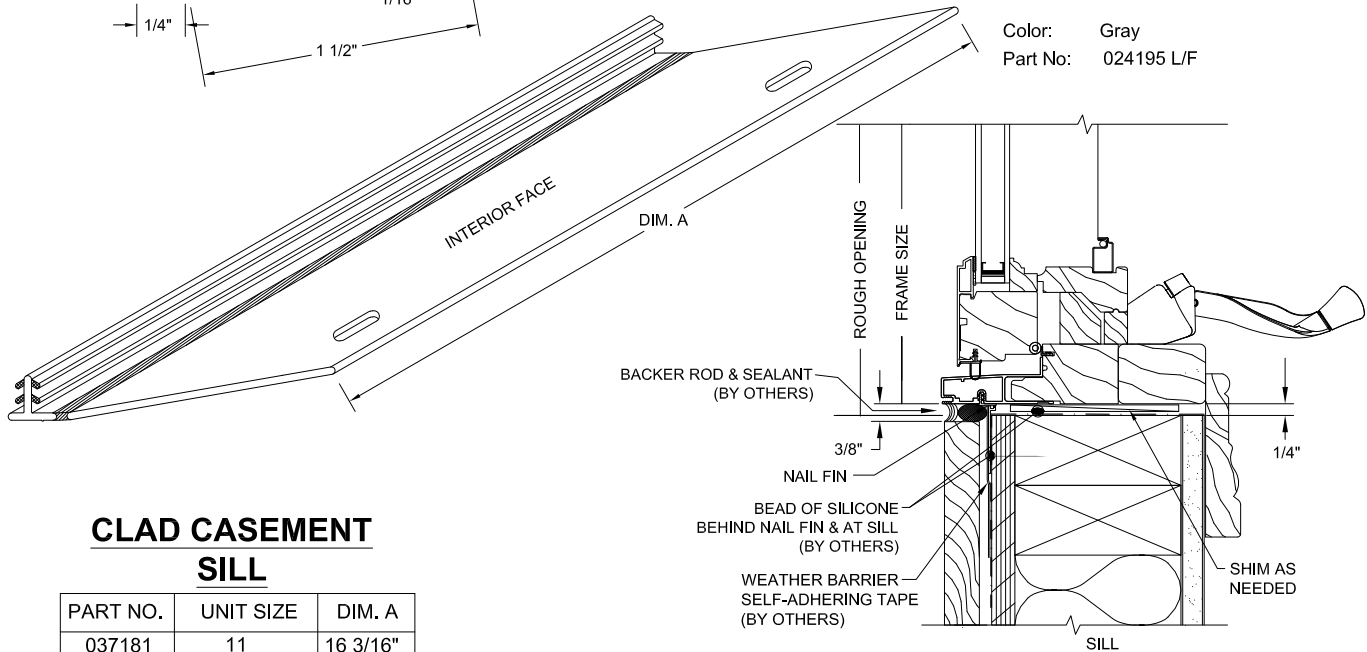
Installation requirements may vary in particular locations and in other types of construction. Proper installation is essential, and HWD Acquisition, Inc., recommends consultation with an AAMA Certified Installer, or other qualified experienced building professional before installation of any Hurd product. Proper installation of Hurd products is the responsibility of the installer. Hurd is not responsible for proper installation. Hurd is not responsible for the design of, conditions in, or performance of building construction beyond the perimeters of the Hurd units. Hurd is not responsible for proper integration of the Hurd units with the weather-repellant systems of the building.



FOLDING FLEXIBLE VINYL SILL NAILING FIN

Usage: Installation of Clad units only

Color: Gray
Part No: 024195 L/F



**CLAD CASEMENT
SILL**

PART NO.	UNIT SIZE	DIM. A
037181	11	16 3/16"
029002	15	20 3/16"
029003	19	24 3/16"
029004	23	28 3/16"
029005	27	32 3/16"
029006	31	36 3/16"
029007	35	40 3/16"
029008	43	48 3/16"
029009	47	52 3/16"
029010	55	60 3/16"
029011	59	64 3/16"
029012	67	72 3/16"
037182	11-2	32 3/8"
029013	15-2	40 3/8"
029014	19-2	48 3/8"
029015	23-2	56 3/8"
029016	27-2	64 3/8"
037184	11-3	48 9/16"
029017	15-3	60 9/16"
029018	19-3	72 9/16"
029019	23-3	84 9/16"
029020	27-3	96 9/16"

**CLAD DOUBLE HUNG
SILL**

PART NO.	GLASS	DIM. A
SINGLE		
029090	16	21 15/32"
029091	20	25 15/32"
029092	24	29 15/32"
029093	28	33 15/32"
029094	32	37 15/32"
029095	36	41 15/32"
029096	40	45 15/32"
029097	44	49 15/32"
029098	48	53 15/32"
029099	56	61 15/32"
029100	64	69 15/32"

**CLAD DOUBLE HUNG
SILL**

PART NO.	GLASS	DIM. A
MULLS 2 WIDE		
032816	16	42 15/16"
032817	20	50 15/16"
032818	24	58 15/16"
032819	28	66 15/16"
032820	32	74 15/16"
032821	36	82 15/16"
032822	40	90 15/16"

HWD Acquisition, Inc., offers these general suggestions for typical installations in the type of construction represented. This is a supplement and not a replacement to the full installation instructions provided by Hurd. You must use the full installation instructions in conjunction with this installation suggestion supplement. Full installation instruction can be found on the Hurd website, www.hurd.com

Installation requirements may vary in particular locations and in other types of construction. Proper installation is essential, and HWD Acquisition, Inc., recommends consultation with an AAMA Certified Installer, or other qualified experienced building professional before installation of any Hurd product. Proper installation of Hurd products is the responsibility of the installer. Hurd is not responsible for proper installation. Hurd is not responsible for the design of, conditions in, or performance of building construction beyond the perimeters of the Hurd units. Hurd is not responsible for proper integration of the Hurd units with the weather-repellant systems of the building.