

Hurd[™]

Energy Saver Clad Wood

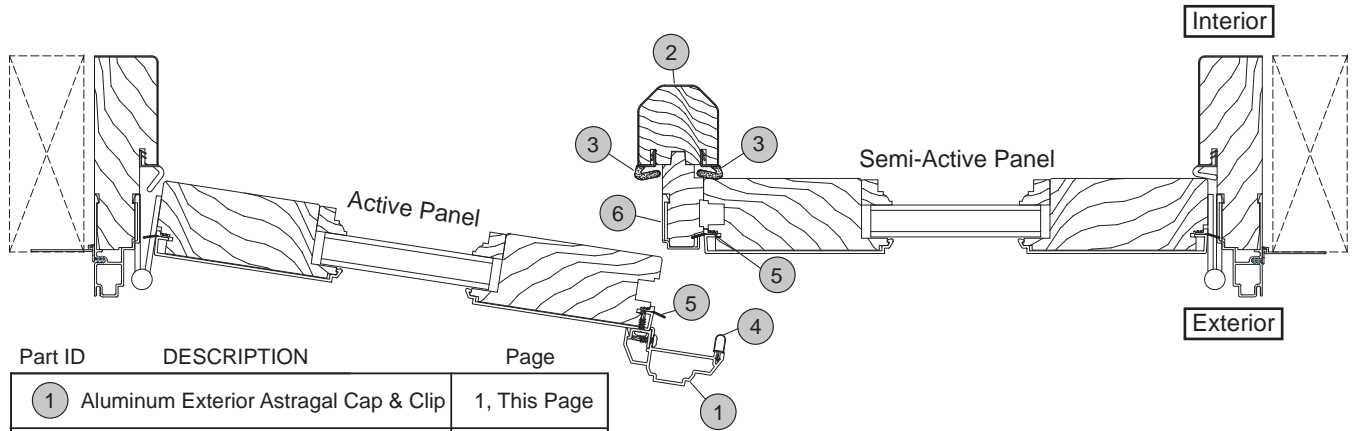
Outswing & French Outswing Patio Door

Parts Pages

for:

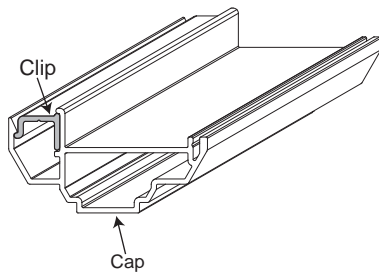
Astragal

Astragal, Active & Semi-Active Panel
Assembly & Parts for Standard & ADA Sills



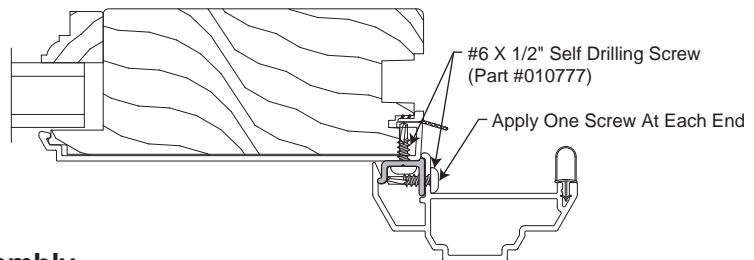
Part ID	DESCRIPTION	Page
1	Aluminum Exterior Astragal Cap & Clip	1, This Page
2	Wood Interior Astragal Cap	1, This Page
3	Foam Weatherstrip	3
4	Bulb Weatherstrip	3
5	Flex Weatherstrip	4
6	Aluminum Astragal Cover	4
7	Astragal Seal (Not shown on detail)	4

1 Aluminum Astragal Cap & Clip - Exterior

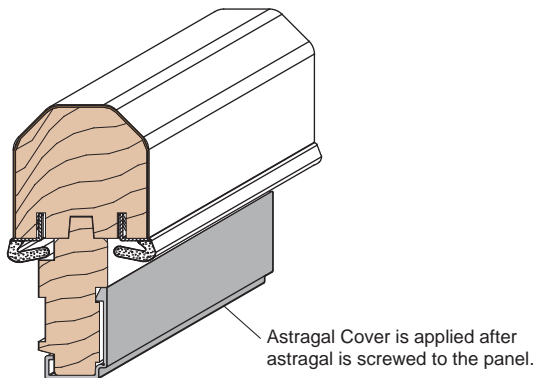


Color & Part No. for 14'-4" Lineal Length

Size	White	Bronze	Sand	Green	Eggshell	Brick Red	Jet Black
L/F	096976	096977	096978	096979	096980	096981	096982



2 Wood Interior Astragal Cap Assembly



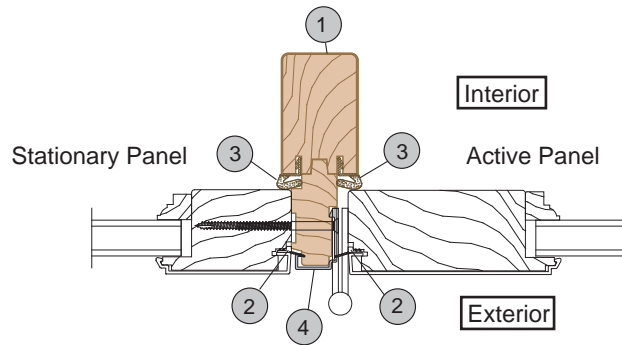
Note: Parts drawings not to scale.

Outswing & French Outswing Patio Door

Energy Saver Aluminum Clad Wood Replacement Parts

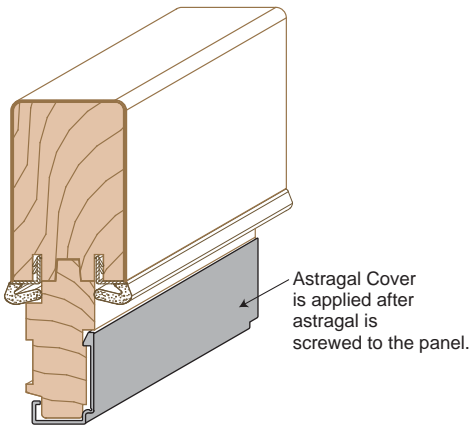


Astragal, Stationary Panel

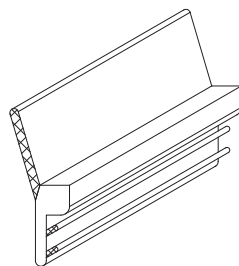


Part ID	DESCRIPTION	Page
①	Wood Interior Astragal Cap	2, This page
②	Flex Weatherstrip	1
③	Foam Weatherstrip	2, This page
④	Aluminum Astragal Cover	3
⑤	Astragal Seal (Not shown on detail)	2, This page

① Wood Interior Astragal Cap Assembly



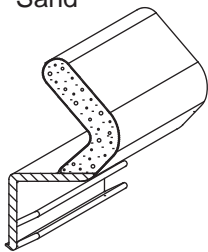
② Flex Weatherstrip



Lineal Foot Part#	Size	Length
White 096776	Retro	77"
Bronze 096777	6-10	80"
Sand 096778	7-2	84"
	8-0	93"
	8-3	96"
	9-0	105"
	10-0	117"

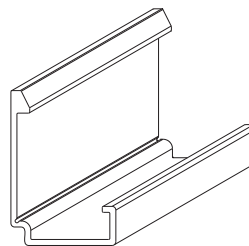
③ Foam Weatherstrip

Lineal Foot Part# 020479
Sand



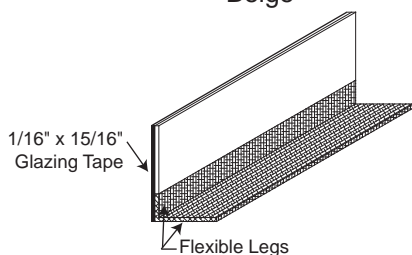
Astragal Size	Length
Retro	77 1/16"
6-10	80 1/16"
7-2	84 1/16"
8-0	93 1/16"
8-3	96 1/16"
9-0	105 1/16"
10-0	117 1/16"

④ Aluminum Astragal Cover



Lineal Foot Part#	Part#
White	035996
Bronze	035997
Sand	035998
Green	035999
Eggshell	072795
Brick Red	072967
Almond	010691

⑤ Astragal Seal Part# 021721 Beige



6' 7" Part#

White	039434
Bronze	039435
Sand	039436
Green	039437
Eggshell	072796
Brick Red	072968
Almond	010640

7' 10" Part#

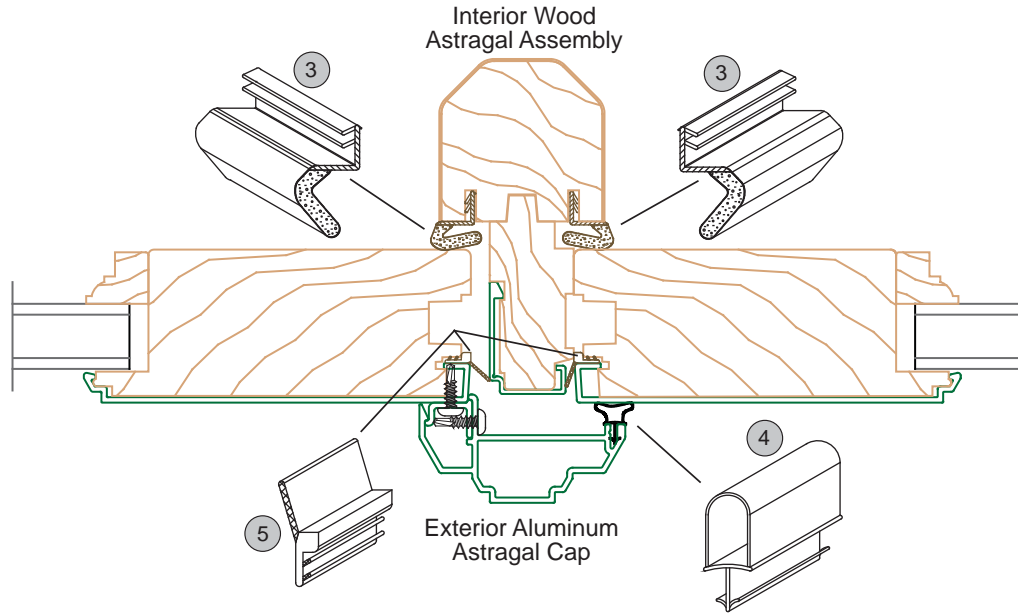
White	039438
Bronze	039439
Sand	039440
Green	039441
Eggshell	072797
Brick Red	072969
Almond	010641

10' 5" Part#

White	094555
Bronze	094556
Sand	094557
Green	094558
Eggshell	094561
Brick Red	094560
Almond	094559

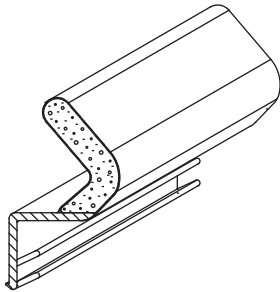
Note: Parts drawings not to scale.

Astragal Weatherstrip, Active & Semi-Active Panel



3 Foam Weatherstrip

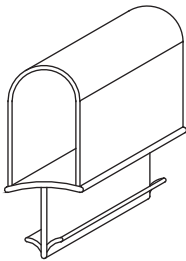
Lineal Foot Part# 020479
Sand



Astragal		
Part #	Size	Length
	Retro	77 1/16"
	6-10	80 1/16"
	7-2	84 1/16"
038807	8-0	93 1/16"
	8-3	96 1/16"
	9-0	105 1/16"
	10-0	117 1/16"

4 Bulb Weatherstrip

Lineal Foot Part#		Size	Length
Brown	015200	Retro	76.875"
Sand	015582	6-10	79.875"
White	011814	7-2	83.875"
		8-0	92.875"
		8-3	95.875"
		9-0	104.875"
		10-0	116.875"



Note: Parts drawings not to scale.

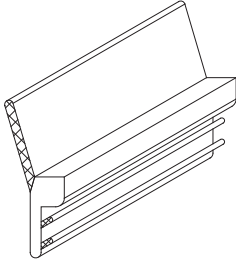
Outswing & French Outswing Patio Door

Energy Saver Aluminum Clad Wood Replacement Parts



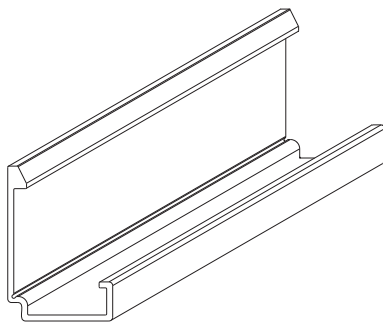
Astragal, Active & Semi-Active Panel Assembly & Parts

5 Flex Weatherstrip



Size	Length	Lineal Foot Part#	
Retro	77"	White	096776
6-10	80"	Bronze	096777
7-2	84"	Sand	096778
8-0	93"		
8-3	96"		
9-0	105"		
10-0	117"		

6 Aluminum Astragal Cover



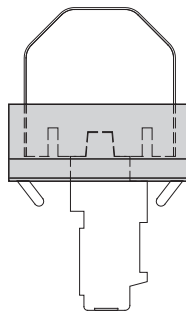
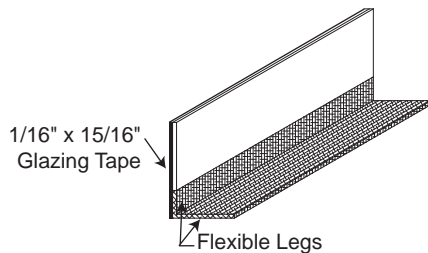
Lineal Foot Part#	
White	035996
Bronze	035997
Sand	035998
Green	035999
Eggshell	072795
Brick Red	072967
Almond	010691

6' 7" Part#	
White	039434
Bronze	039435
Sand	039436
Green	039437
Eggshell	072796
Brick Red	072968
Almond	010640

7' 10" Part#	
White	039438
Bronze	039439
Sand	039440
Green	039441
Eggshell	072797
Brick Red	072969
Almond	010641

10' 5" Part#	
White	094555
Bronze	094556
Sand	094557
Green	094558
Eggshell	094561
Brick Red	094560
Almond	094559

7 Astragal Seal Part# 021721 Beige



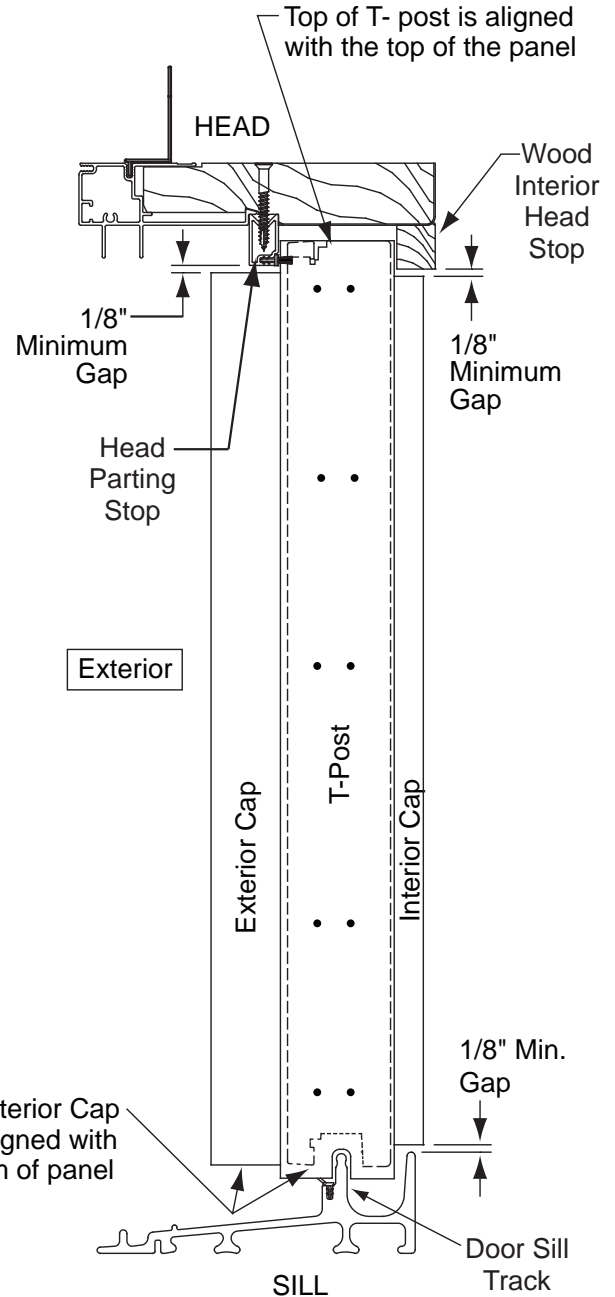
Line up the Astragal Seal with notch in the weatherstrip and center on astragal at top and/or bottom.

Note: Parts drawings not to scale.

Astragal Installation

1. Please check the operation of the door panels. Make necessary adjustments to the rollers at the bottom of the panels.
2. The OXXO astragal can be applied to either operating door stiles. Place astragal wood shim on the edge of the door panel **Detail "A"**. Center the astragal on the door stile and align at top and bottom as shown in **Detail "B"**.
3. Fasten the astragal to the stile through the pre-drilled holes. Start by placing one (1) screw (#6 x 2-3/4" PH FL HD wood screws part# 011836 provided) at the top, middle and bottom.
4. Check the door panel operation.
5. To improve the door operation, the astragal caps may be trimmed. Remove the astragal and trim as necessary. Please note, trim the caps only.
6. After all adjustments have been completed fasten the astragal to the stile with the remaining screws.

Detail "B"
Edge of Panel with
Astragal Attached, Side View



Detail "A"

