

*Hurd*TM

Energy Saver Clad Wood

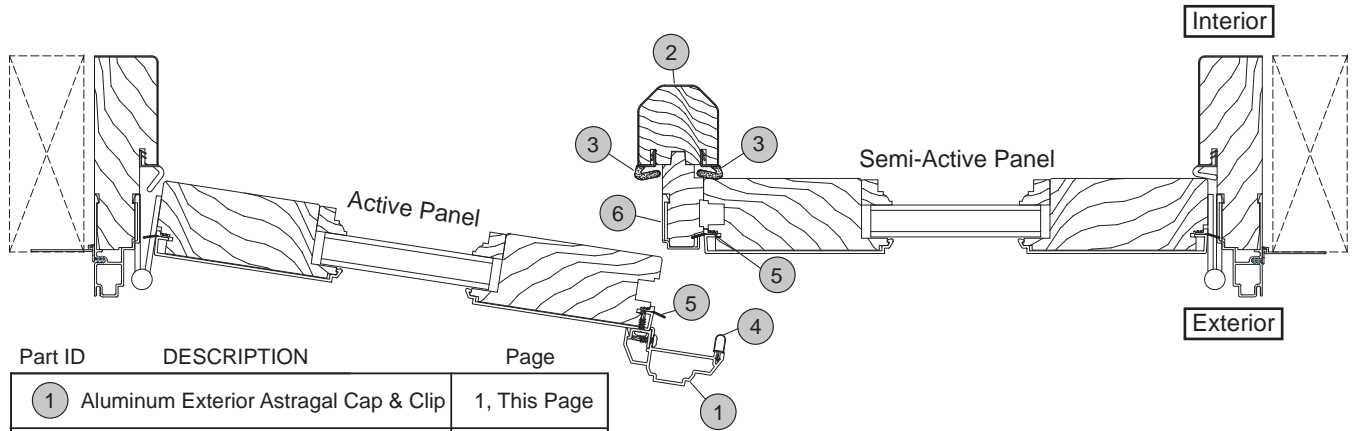
Outswing & French Outswing Patio Door

Parts Pages

for:

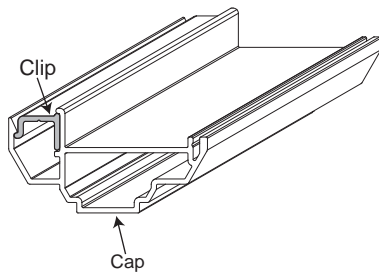
Astragal

Astragal, Active & Semi-Active Panel
Assembly & Parts for Standard & ADA Sills



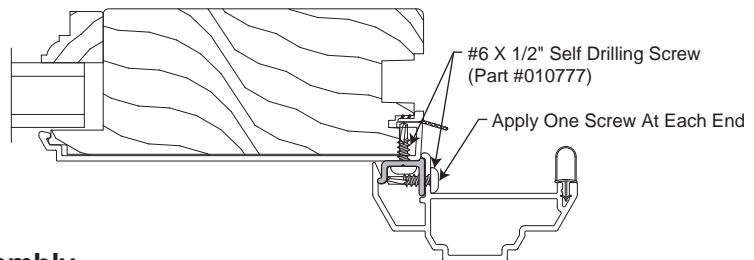
Part ID	DESCRIPTION	Page
1	Aluminum Exterior Astragal Cap & Clip	1, This Page
2	Wood Interior Astragal Cap	1, This Page
3	Foam Weatherstrip	3
4	Bulb Weatherstrip	3
5	Flex Weatherstrip	4
6	Aluminum Astragal Cover	4
7	Astragal Seal (Not shown on detail)	4

1 Aluminum Astragal Cap & Clip - Exterior

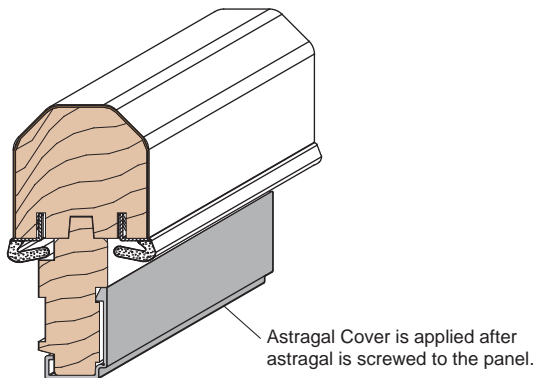


Color & Part No. for 14'-4" Lineal Length

Size	White	Bronze	Sand	Green	Eggshell	Brick Red	Jet Black
L/F	096976	096977	096978	096979	096980	096981	096982



2 Wood Interior Astragal Cap Assembly



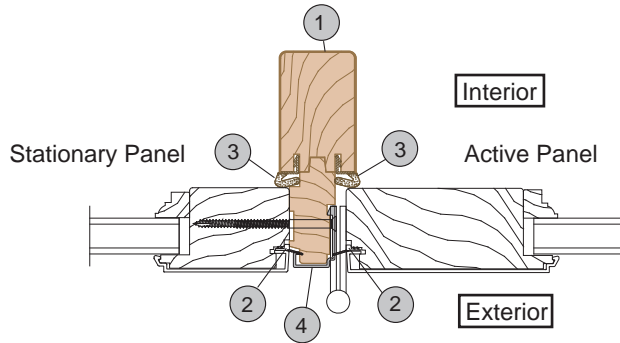
Note: Parts drawings not to scale.

Outswing & French Outswing Patio Door

Energy Saver Aluminum Clad Wood Replacement Parts

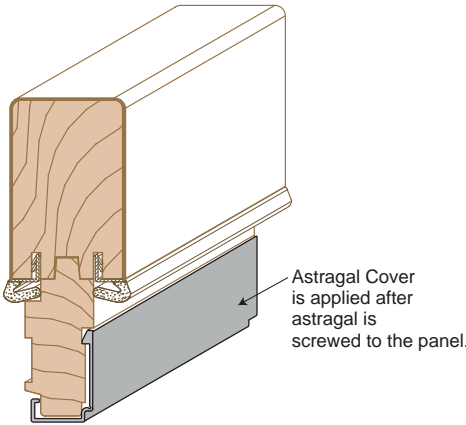


Astragal, Stationary Panel



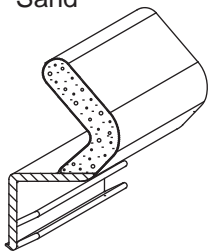
Part ID	DESCRIPTION	Page
①	Wood Interior Astragal Cap	2, This page
②	Flex Weatherstrip	1
③	Foam Weatherstrip	2, This page
④	Aluminum Astragal Cover	3
⑤	Astragal Seal (Not shown on detail)	2, This page

① Wood Interior Astragal Cap Assembly



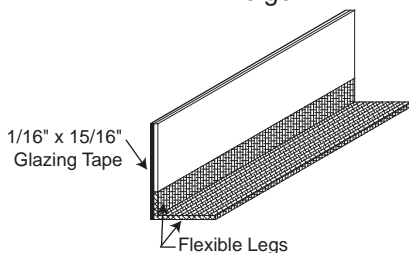
③ Foam Weatherstrip

Lineal Foot Part# 045924
Sand

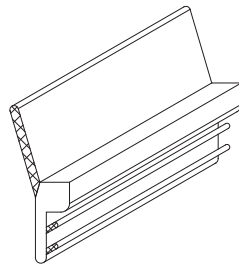


Astragal Size	Length
Retro	77 1/16"
6-10	80 1/16"
7-2	84 1/16"
8-0	93 1/16"
8-3	96 1/16"
9-0	105 1/16"
10-0	117 1/16"

⑤ Astragal Seal Part# 021721 Beige

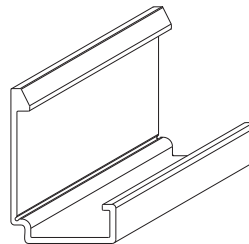


② Flex Weatherstrip



Lineal Foot Part#	Size	Length
White 096776	Retro	77"
Bronze 096777	6-10	80"
Sand 096778	7-2	84"
	8-0	93"
	8-3	96"
	9-0	105"
	10-0	117"

④ Aluminum Astragal Cover



Lineal Foot Part#	Part#
White	035996
Bronze	035997
Sand	035998
Green	035999
Eggshell	072795
Brick Red	072967
Almond	010691

6' 7" Part#

White	039434
Bronze	039435
Sand	039436
Green	039437
Eggshell	072796
Brick Red	072968
Almond	010640

7' 10" Part#

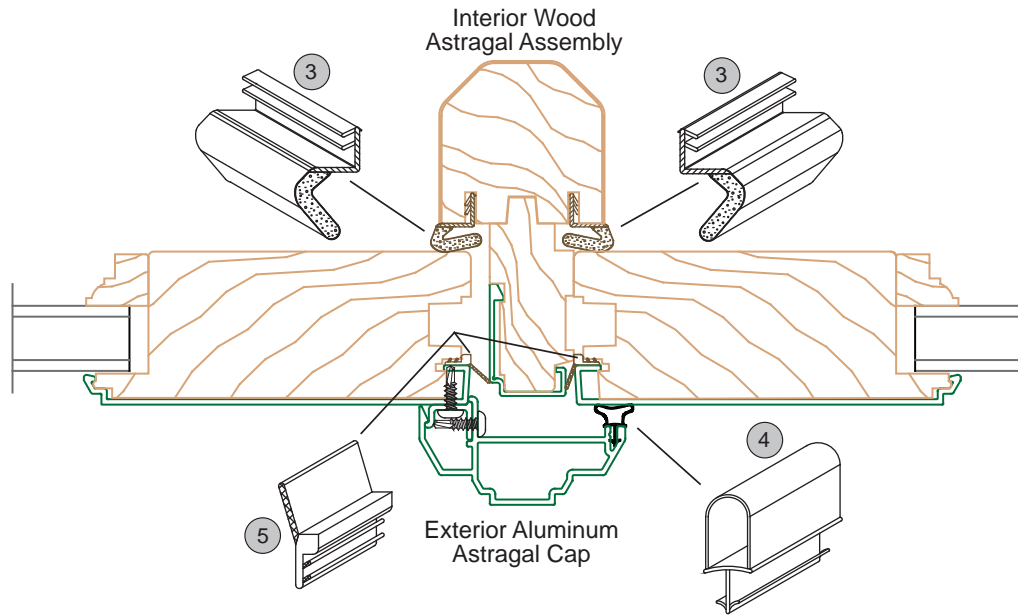
White	039438
Bronze	039439
Sand	039440
Green	039441
Eggshell	072797
Brick Red	072969
Almond	010641

10' 5" Part#

White	094555
Bronze	094556
Sand	094557
Green	094558
Eggshell	094561
Brick Red	094560
Almond	094559

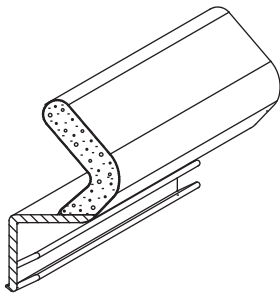
Note: Parts drawings not to scale.

Astragal Weatherstrip, Active & Semi-Active Panel



3 Foam Weatherstrip

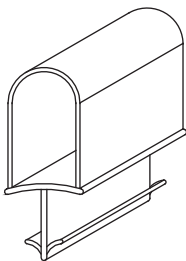
Lineal Foot Part# 045924
Sand



Astragal	
Size	Length
Retro	77 1/16"
6-10	80 1/16"
7-2	84 1/16"
8-0	93 1/16"
8-3	96 1/16"
9-0	105 1/16"
10-0	117 1/16"

4 Bulb Weatherstrip

Lineal Foot Part#		Size	Length
Brown	015200	Retro	76.875"
Sand	015582	6-10	79.875"
White	011814	7-2	83.875"
		8-0	92.875"
		8-3	95.875"
		9-0	104.875"
		10-0	116.875"



Note: Parts drawings not to scale.

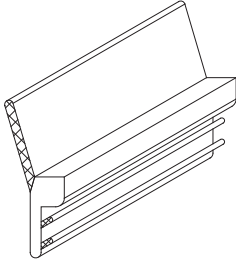
Outswing & French Outswing Patio Door

Energy Saver Aluminum Clad Wood Replacement Parts



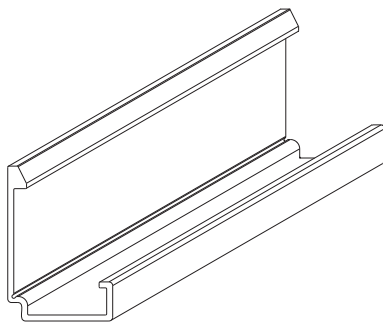
Astragal, Active & Semi-Active Panel Assembly & Parts

5 Flex Weatherstrip



Size	Length	Lineal Foot Part#	
Retro	77"	White	096776
6-10	80"	Bronze	096777
7-2	84"	Sand	096778
8-0	93"		
8-3	96"		
9-0	105"		
10-0	117"		

6 Aluminum Astragal Cover



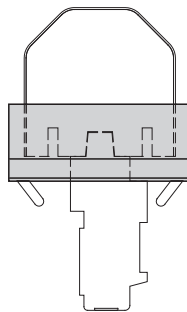
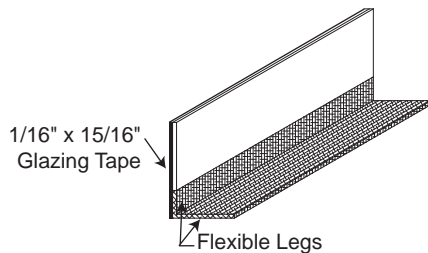
Lineal Foot Part#	
White	035996
Bronze	035997
Sand	035998
Green	035999
Eggshell	072795
Brick Red	072967
Almond	010691

6' 7" Part#	
White	039434
Bronze	039435
Sand	039436
Green	039437
Eggshell	072796
Brick Red	072968
Almond	010640

7' 10" Part#	
White	039438
Bronze	039439
Sand	039440
Green	039441
Eggshell	072797
Brick Red	072969
Almond	010641

10' 5" Part#	
White	094555
Bronze	094556
Sand	094557
Green	094558
Eggshell	094561
Brick Red	094560
Almond	094559

7 Astragal Seal Part# 021721 Beige



Line up the Astragal Seal with notch in the weatherstrip and center on astragal at top and/or bottom.

Note: Parts drawings not to scale.