

*Hurd*TM

Energy Saver Clad Wood

FeelSafe French Sliding Patio Door

Parts Pages

for:

Weatherstrip

Hardware

Wood Parts

Part ID

Please Note: All replacement parts are the same between a monolithic laminated glass unit and a laminated insulated glass unit, with exception to the glazing beads as shown in the cross sections on page 2.

ALL other common parts that are found on the French Sliding Patio Door and the FeelSafe French Sliding Patio Door, can be found on the French Sliding Patio Door parts pages.

DESCRIPTION

Part ID	Weatherstrip	Page
(A)	Stationary Panel Head & Side	1
(B)	Operating Panel Sill Seal	1
(C)	Interior Interlock Pile Weatherstrip	2
(D)	Exterior Interlock Pile Weatherstrip	2
(E)	Parting Stop Frame Weatherstrip	2
(F)	U-Channel Weatherstrip	2

Hardware

(G)	Snubber	3
(H)	Anti-Theft Bracket (FeelSafe and DP 55)	3
(J)	Active Panel Interlock	3

Wood Parts

(K)	1" Insul Glass Glazing Bead	4
(L)	4mm-4mm Monolithic Glass Glazing Bead	4
(M)	5mm-5mm Monolithic Glass Glazing Bead	4
(N)	DP 55 Wood Sill Dam	4

Note: Parts drawings not to scale.

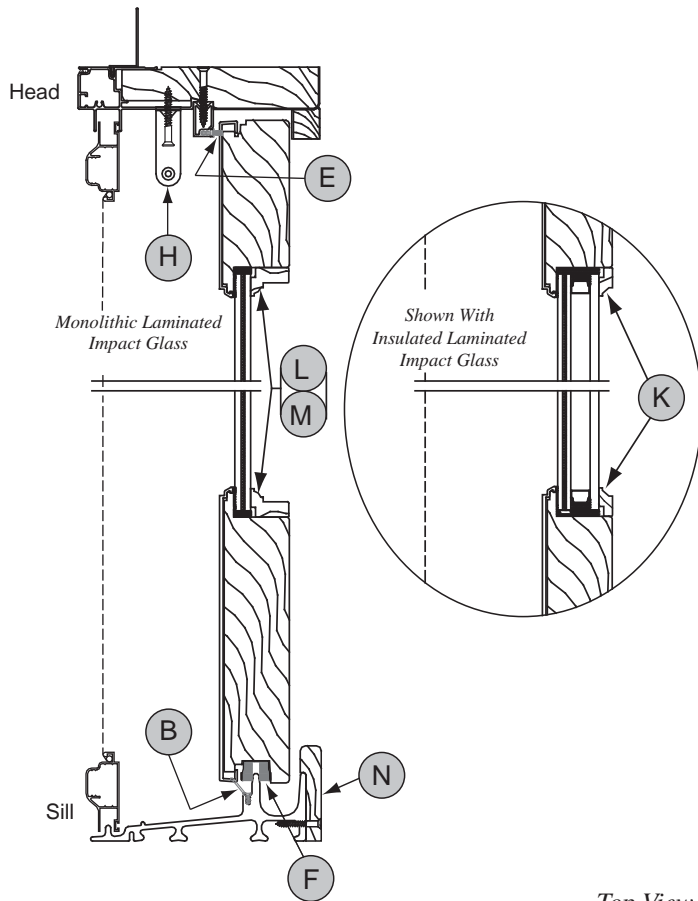
FeelSafe French Sliding Patio Door

Energy Saver Aluminum Clad Wood Replacement Parts

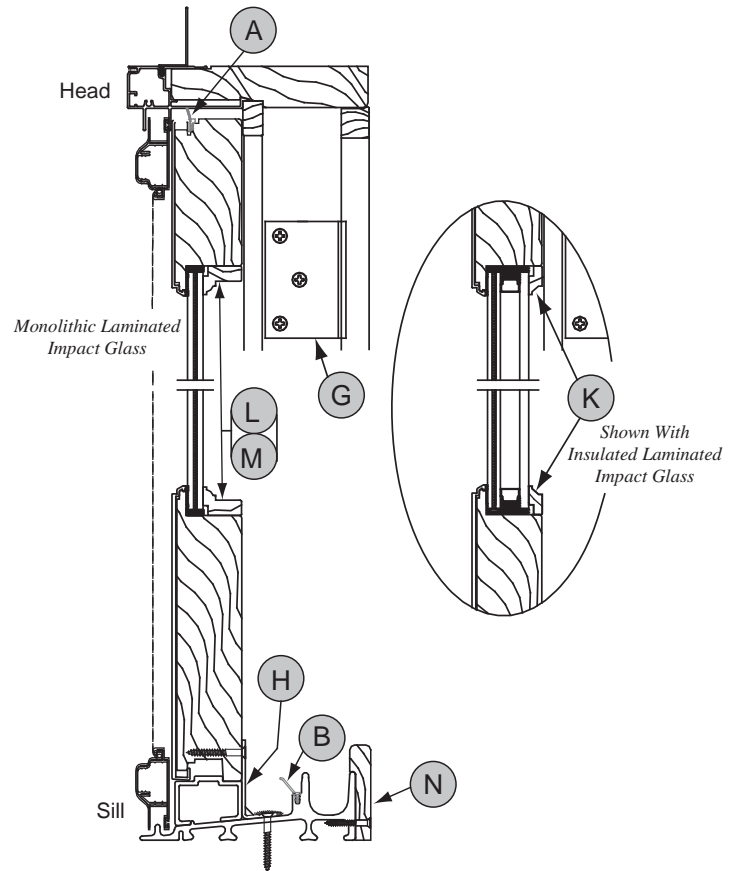


Side & Top Views

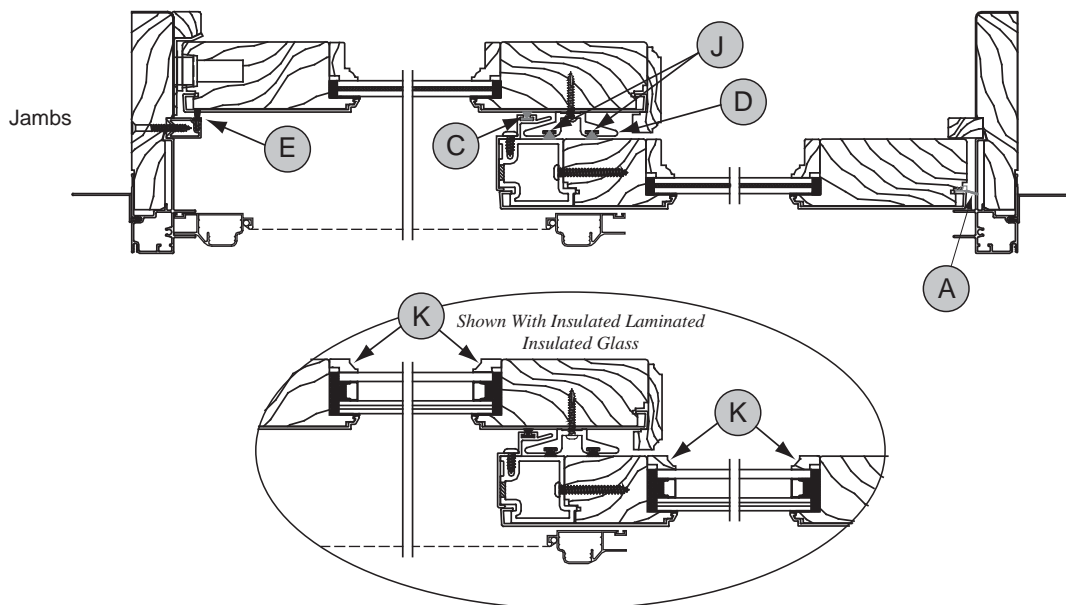
Operating Panel, Side View



Stationary Panel, Side View



Top View, 2 Panel Operating Unit



Note: Parts drawings not to scale.

February/2009

© 2009 Hurd Windows & Doors

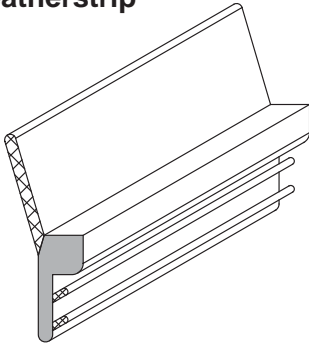
FS-ESLPD-F-2 SECTIONS

Weatherstrip, Section Views & Parts

Part ID Weatherstrip
DESCRIPTION

(A)	Stationary Panel Head & Side Weatherstrip
(B)	Operating Panel Sill Seal
(C)	Interior Interlock Pile Weatherstrip
(D)	Exterior Interlock Pile Weatherstrip
(E)	Parting Stop Frame Weatherstrip
(F)	U-Channel Weatherstrip

(A) Stationary Panel Head & Side Weatherstrip



Rails (Head)

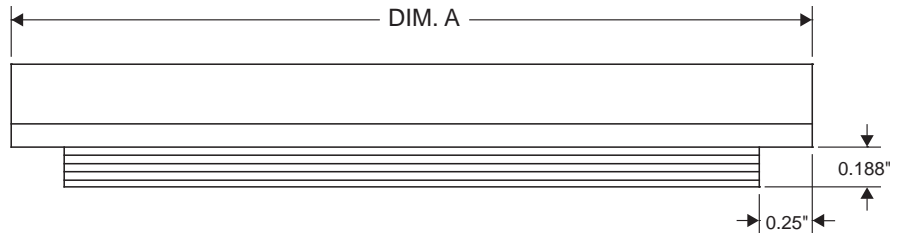
Glass Size	DIM. A Length
2-8 French	29 7/8"
2-10 French	31 7/8"
3-2 French	35 7/8"
4-2 French	47 7/8"

Stile (Sides)

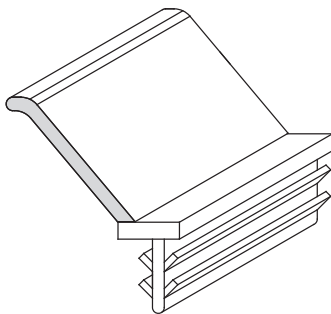
Glass Size	DIM. A Length
Retro	77"
6-10	80"
7-2	84"
8-0	93"

Lineal Foot

Color	Part #
White	096603
Sand	096604
Bronze	096605



(B) Operating Panel Sill Seal



Glass Size	Length	Part #
5-0	29"	098753
5-4	31"	098754
6-0	35"	098755
8-0	47"	098756

Note: Parts drawings not to scale.

FeelSafe French Sliding Patio Door

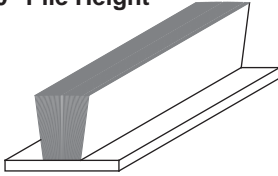
Energy Saver Aluminum Clad Wood

Replacement Parts



Weatherstrip Parts

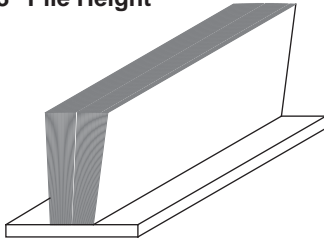
C Interior Interlock Pile Weatherstrip
.180" Pile Height



Size	Length
Retro	79"
6-10	82"
7-2	86"
8-0	95"

Lineal Foot Part# 024503

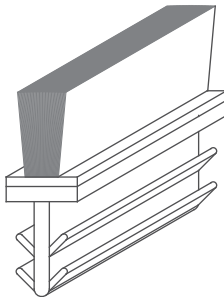
D Exterior Interlock Pile Weatherstrip
.313" Pile Height



Size	Length
Retro	77 7/16"
6-10	80 7/16"
7-2	84 7/16"
8-0	93 7/16"

Lineal Foot Part# 097146

E Parting Stop Frame Weatherstrip

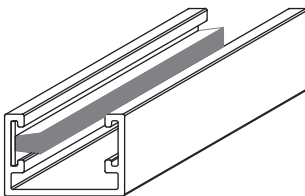


Head	
Glass Size	Length
5-0	28 1/2"
5-4	30 1/2"
6-0	34 1/2"
8-0	46 1/2"

Jambs (Sides)	
Glass Size	Length
Retro	78 5/16"
6-10	81 5/16"
7-2	85 5/16"
8-0	94 5/16"

Lineal Foot Part# 020406

F U-Channel with Weatherstrip
Located at Bottom of Operating Panel

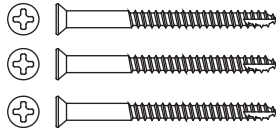
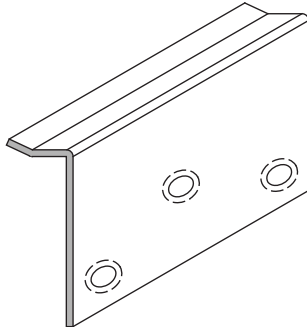


Glass Size	Length	Part #
5-0	29 7/8"	098864
5-4	31 7/8"	098865
6-0	35 7/8"	098866
8-0	47 7/8"	098867

Note: Parts drawings not to scale.

Hardware

G Snubber Part# 097301

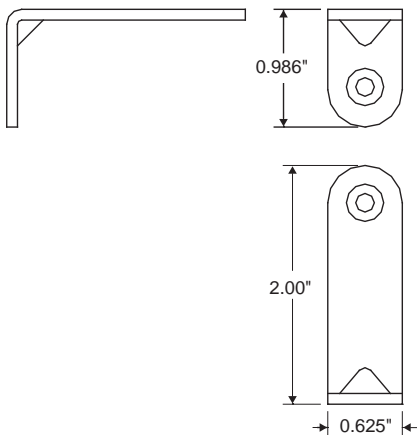


Installed With (3) #10 x 2 1/2" PH SMS Screws Part# 015432
Through Snubber at Lock Jamb
Please order screws separately.

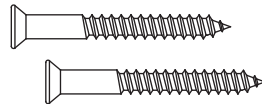
Part ID	Hardware DESCRIPTION
G	Snubber
H	Anti-Theft Bracket
J	Active Panel Interlock

H Anti-Theft Bracket Part# 025776, Stainless Steel

Please Note: Bracket is also used in the DP55 Upgrade Package



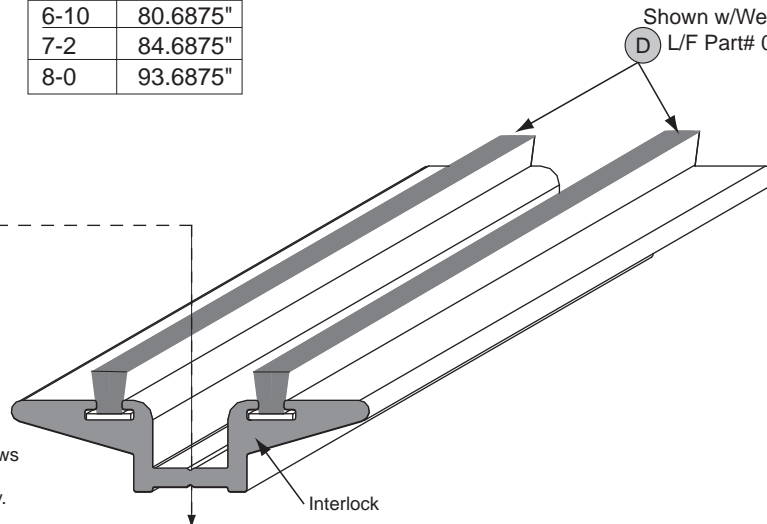
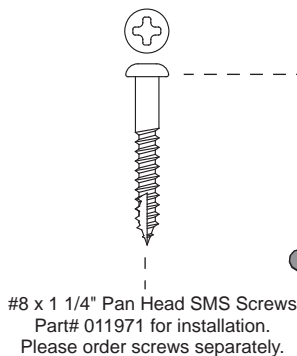
#8 x 1 1/2" PH FL S.S. Screws (Qty 2 each bracket)
Part# 076007, used for installation.
Please order screws separately.



J Active Panel Interlock Size Length 96" Long Part# 097311

Retro	74.875"
6-10	80.6875"
7-2	84.6875"
8-0	93.6875"

Shown w/Weatherstrip
L/F Part# 024503



Note: Parts drawings not to scale.

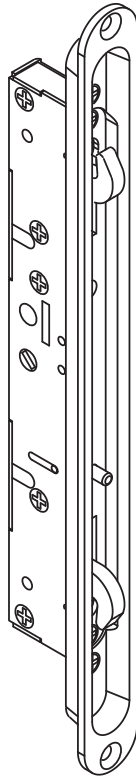
FeelSafe French Sliding Patio Door

Energy Saver Aluminum Clad Wood Replacement Parts



Hardware

3 2 Point Recessed Mortise Lock



Color	Part No.
Stainless Steel	097183

4 Mortise Lock Keeper



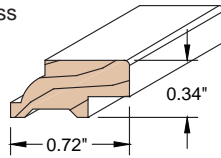
Color	Part No.
Stainless Steel	097181

Note: Parts drawings not to scale.

Wood Parts

K Laminated 1" Insulated Glass Glazing Beads

Glass Makeup:
Interior = 3.1 mm annealed Glass / .090 PVB Innerlayer / 3.1 mm annealed Glass
AirSpace
Exterior = 5.7 mm tempered Glass



Glazing Bead
Lineal Foot
Part# 212765

Glazing Bead Cut Lengths

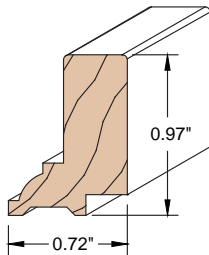
Horizontal

Glass Size	Length
22	22 7/16"
24	24 7/16"
28	28 7/16"
40	40 7/16"

L 4mm - 4mm

Laminated Monolithic Glass Glazing Bead

Glass Makeup: 4 mm annealed Glass / .090 PVB Innerlayer / 4 mm annealed Glass



Glazing Bead Lineal Foot Part# 216273

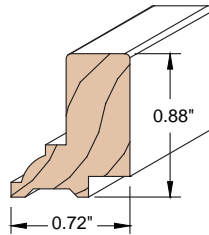
Vertical

Glass Size	Length
66 1/4	66 9/16"
69 1/4	69 9/16"
73 1/4	73 9/16"
82 1/4	82 9/16"

M 5 mm - 5 mm

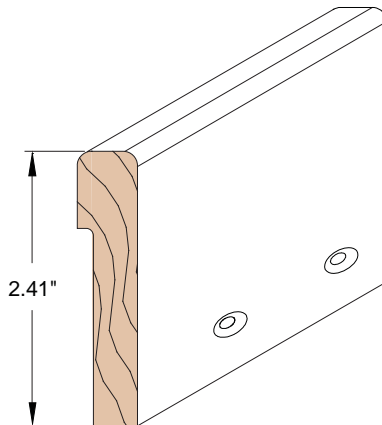
Laminated Monolithic Glass Glazing Bead

Glass Makeup: 5 mm annealed Glass / .090 PVB Innerlayer / 5 mm annealed Glass



Glazing Bead Lineal Foot Part# 216636

N DP 55 Wood Sill Dam Threshold

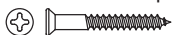


Glass Size	Overall Length (B.U.S. - 2.813")	Hole Distance: 2" from each End & Distance Listed Below Thereafter	Holes Qty.
5-0 (2-8 / 2-8)	55 3/4"	8 5/8"	7
5-4 (2-10 / 2-10)	59 3/4"	9 19/64"	7
6-0 (3-2 / 3-2)	67 3/4"	9 7/64"	8
8-0 (4-2 / 4-2)	91 3/4"	9 3/4"	10

White Oak Sill is standard for Pine, White Oak and Douglas Fir

Lineal Foot Available in:
White Oak Lyptus
Cherry Walnut
Mahogany Alder
Red Oak Hard Maple

#6 x 1 1/4" Phillips FL Head Screw Part# 074275 used for installation. Ordered separately.



Note: Parts drawings not to scale.