



H3 Clad Wood Double Hung Operating & Picture (Fixed) Windows Parts Pages for:

Fastener Schedule - Page 2

Screens - Pages 3 & 4

Hardware - Pages 5 thru 7

Aluminum & Vinyl Parts - Page 8

Weatherstrip - Page 9

Wood Parts - Pages 10 thru 12

Hardware Assembly to Sash - Pages 13 & 14

Jambliner Parts and Assembly / Install - Pages 15 & 16

Head & Sill Gasket Placement - Page 17

Color Scheme for Joint Sealant - Page 18

Jamb Weatherstrip Pad Placement - Page 19



Interior View



Exterior View

Hurd



Clad Wood Double Hung Windows Replacement Parts

Fasteners

H3 DOUBLE HUNG FASTENER SCHEDULE

SCREWS			
PART #	DESCRIPTION	WHERE USED	QUANTITY
024901	#7 X 5/8" PH FL UC PBS	Tilt Pins to Sash Bottom Tilt Latch to Sash Fixed Sash Snubber	2 PER Tilt Pin 1 PER Tilt Latch 2 PER Snubber
010777	#6 X 1/2" PH PAN Self Drilling TEK	Top Sash Top Rail Weatherstrip Mull Post	AS REQUIRED 8
011635	#6 X 5/8" PH PAN - WHITE	E exterior Check Rail Cover to Top Sash	AS REQUIRED
011636	#6 X 5/8" PH PAN - BRONZE		
015517	#6 X 5/8" PH PAN - SAND		
032142	#6 X 5/8" PH PAN - GREEN		
075321	#6 X 5/8" PH PAN - BRICK RED		
047491	#6 x 1" PH FLAT SMS - GOLDTONE	Sweep Lock to Sash and Keeper to Sash	2 PER LOCK 2 PER KEEPER
047489	#6 x 1" PH FLAT SMS - WHITE		
047490	#6 x 1" PH FLAT SMS - 03 BRONZE		
047488	#6 x 1" PH FLAT SMS - CHAMPAGNE		

STAPLES			
PART #	DESCRIPTION	WHERE USED	QUANTITY
010616	GSN18 X 1" STAPLE	Pining Sash Corners	4 PER Sash
019903	GSN18 X 1 1/2" STAPLE	Frame Extender Assembly	4 PER ASS'Y

NAILS			
PART #	DESCRIPTION	WHERE USED	QUANTITY
095593	18 x 5/8" SS T-NAIL	Sash Cladding Corners	8 PER Sash

SHIMS			
PART #	DESCRIPTION	WHERE USED	QUANTITY
019300	1/8" X 3/4" X 1" Glass Shim	Glazing	2 PER Sash MIN.

Sealants AND TAPES		
PART #	DESCRIPTION	WHERE USED
099511	WHITE Silicone	WHITE Clad Corner Keys
099512	SAND Silicone	SAND Clad Corner Keys
099513	BRONZE Silicone	BRONZE Clad Corner Keys
019305	SM8500 Acrylic Sealant	Mull Post Joints
022016	SM5731 Silicone	Glazing
022016	SM5731 Silicone	Check Rail Cover to Sash
097071	1/32" x 1/2" Two Sided Tape	Glazing



Clad Wood Double Hung Windows Replacement Parts

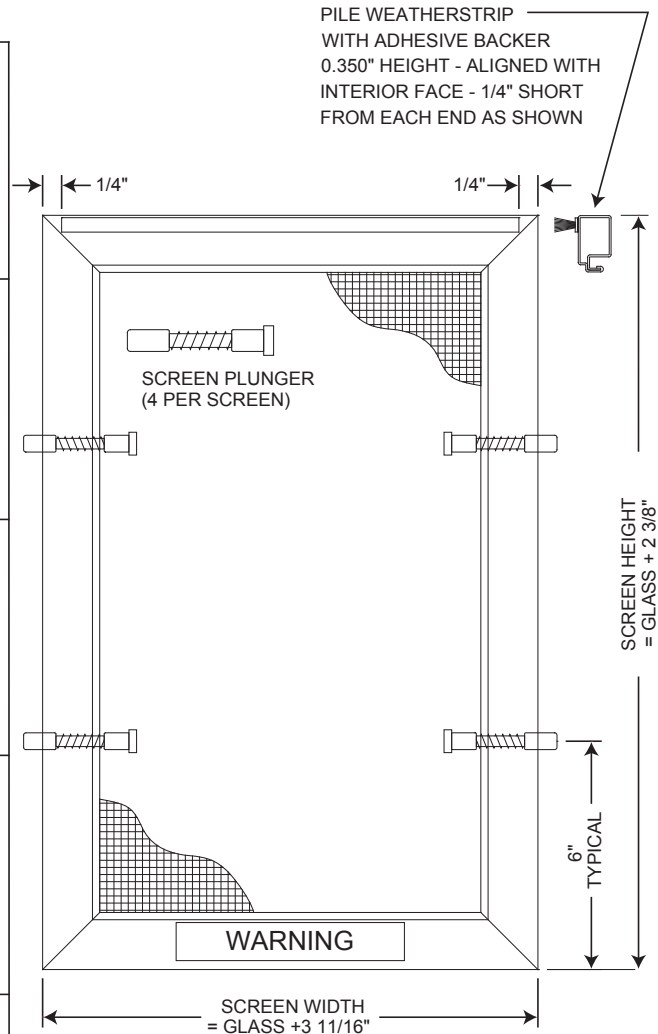


SCREEN FORMULA = GLASS WIDTH + 3 11/16"
LOWER GLASS HEIGHT + 2 3/8"

Half Screen & Glass Size

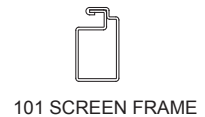
CALLOUT	GLASS SIZE		SCREEN SIZE	
	WIDTH	HEIGHT	WIDTH	HEIGHT
18 X 36	12 1/2"	15 1/8"	16 3/16" X	17 1/2"
18 X 40	12 1/2"	17 1/8"	16 3/16" X	19 1/2"
18 X 48	12 1/2"	21 1/8"	16 3/16" X	23 1/2"
18 X 54	12 1/2"	24 1/8"	16 3/16" X	26 1/2"
18 X 60	12 1/2"	27 1/8"	16 3/16" X	29 1/2"
18 X 66	12 1/2"	30 1/8"	16 3/16" X	32 1/2"
18 X 72	12 1/2"	33 1/8"	16 3/16" X	35 1/2"
18 X 78	12 1/2"	36 1/8"	16 3/16" X	38 1/2"
18 X 84	12 1/2"	39 1/8"	16 3/16" X	41 1/2"
24 X 36	18 1/2"	15 2/8"	3/16" X	17 1/2"
24 X 40	18 1/2"	17 2/8"	3/16" X	19 1/2"
24 X 48	18 1/2"	21 2/8"	3/16" X	23 1/2"
24 X 54	18 1/2"	24 2/8"	3/16" X	26 1/2"
24 X 60	18 1/2"	27 2/8"	3/16" X	29 1/2"
24 X 66	18 1/2"	30 2/8"	3/16" X	32 1/2"
24 X 72	18 1/2"	33 2/8"	3/16" X	35 1/2"
24 X 78	18 1/2"	36 2/8"	3/16" X	38 1/2"
24 X 84	18 1/2"	39 2/8"	3/16" X	41 1/2"
28 X 36	22 1/2"	15 2/8"	3/16" X	17 1/2"
28 X 40	22 1/2"	17 2/8"	3/16" X	19 1/2"
28 X 48	22 1/2"	21 2/8"	3/16" X	23 1/2"
28 X 54	22 1/2"	24 2/8"	3/16" X	26 1/2"
28 X 60	22 1/2"	27 2/8"	3/16" X	29 1/2"
28 X 66	22 1/2"	30 2/8"	3/16" X	32 1/2"
28 X 72	22 1/2"	33 2/8"	3/16" X	35 1/2"
28 X 78	22 1/2"	36 2/8"	3/16" X	38 1/2"
28 X 84	22 1/2"	39 2/8"	3/16" X	41 1/2"
30 X 36	24 1/2"	15 2/8"	3/16" X	17 1/2"
30 X 40	24 1/2"	17 2/8"	3/16" X	19 1/2"
30 X 48	24 1/2"	21 2/8"	3/16" X	23 1/2"
30 X 54	24 1/2"	24 2/8"	3/16" X	26 1/2"
30 X 60	24 1/2"	27 2/8"	3/16" X	29 1/2"
30 X 66	24 1/2"	30 2/8"	3/16" X	32 1/2"
30 X 72	24 1/2"	33 2/8"	3/16" X	35 1/2"
30 X 78	24 1/2"	36 2/8"	3/16" X	38 1/2"
30 X 84	24 1/2"	39 2/8"	3/16" X	41 1/2"
36 X 36	30 1/2"	15 3/8"	3/16" X	17 1/2"
36 X 40	30 1/2"	17 3/8"	3/16" X	19 1/2"
36 X 48	30 1/2"	21 3/8"	3/16" X	23 1/2"
36 X 54	30 1/2"	24 3/8"	3/16" X	26 1/2"
36 X 60	30 1/2"	27 3/8"	3/16" X	29 1/2"
36 X 66	30 1/2"	30 3/8"	3/16" X	32 1/2"
36 X 72	30 1/2"	33 3/8"	3/16" X	35 1/2"
36 X 78	30 1/2"	36 3/8"	3/16" X	38 1/2"
36 X 84	30 1/2"	39 3/8"	3/16" X	41 1/2"
40 X 36	34 1/2"	15 3/8"	3/16" X	17 1/2"
40 X 40	34 1/2"	17 3/8"	3/16" X	19 1/2"
40 X 48	34 1/2"	21 3/8"	3/16" X	23 1/2"
40 X 54	34 1/2"	24 3/8"	3/16" X	26 1/2"
40 X 60	34 1/2"	27 3/8"	3/16" X	29 1/2"
40 X 66	34 1/2"	30 3/8"	3/16" X	32 1/2"
40 X 72	34 1/2"	33 3/8"	3/16" X	35 1/2"
40 X 78	34 1/2"	36 3/8"	3/16" X	38 1/2"
40 X 84	34 1/2"	39 3/8"	3/16" X	41 1/2"

Half Screen



Finishes Available:

- White
- Eggshell
- Colonial White
- Burnt Sun
- Dried Wheat
- Sand
- Patina Green
- Aspen Moss
- Bronze
- Green
- Sage Brown
- Bahama Brown
- Brick Red
- Boysenberry
- Jet Black
- Light Bronze Anodized
- Medium Bronze Anodized
- Dark Bronze Anodized
- Color to Match Exterior



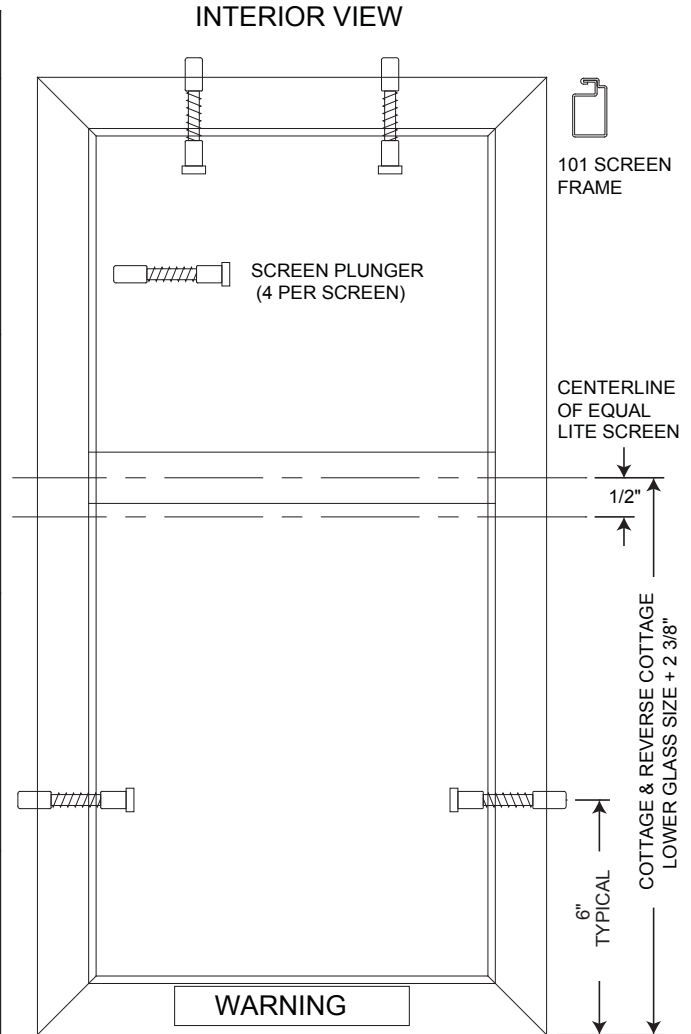


Clad Wood Double Hung Windows Replacement Parts

SCREEN FORMULA = GLASS WIDTH + 3 11/16"
LOWER GLASS HEIGHT + UPPER GLASS HEIGHT + 4 1/16"

Full Screen & Glass Size

CALLOUT	GLASS SIZE		SCREEN SIZE		
	WIDTH	HEIGHT	WIDTH	HEIGHT	
18	X	36	12 1/2"	15 1/8"	16 3/16" X 34 5/16"
18	X	40	12 1/2"	17 1/8"	16 3/16" X 38 5/16"
18	X	48	12 1/2"	21 1/8"	16 3/16" X 46 5/16"
18	X	54	12 1/2"	24 1/8"	16 3/16" X 52 5/16"
18	X	60	12 1/2"	27 1/8"	16 3/16" X 58 5/16"
18	X	66	12 1/2"	30 1/8"	16 3/16" X 64 5/16"
18	X	72	12 1/2"	33 1/8"	16 3/16" X 70 5/16"
18	X	78	12 1/2"	36 1/8"	16 3/16" X 76 5/16"
18	X	84	12 1/2"	39 1/8"	16 3/16" X 82 5/16"
24	X	36	18 1/2"	15 1/8"	22 3/16" X 34 5/16"
24	X	40	18 1/2"	17 1/8"	22 3/16" X 38 5/16"
24	X	48	18 1/2"	21 1/8"	22 3/16" X 46 5/16"
24	X	54	18 1/2"	24 1/8"	22 3/16" X 52 5/16"
24	X	60	18 1/2"	27 1/8"	22 3/16" X 58 5/16"
24	X	66	18 1/2"	30 1/8"	22 3/16" X 64 5/16"
24	X	72	18 1/2"	33 1/8"	22 3/16" X 70 5/16"
24	X	78	18 1/2"	36 1/8"	22 3/16" X 76 5/16"
24	X	84	18 1/2"	39 1/8"	22 3/16" X 82 5/16"
28	X	36	22 1/2"	15 1/8"	26 3/16" X 34 5/16"
28	X	40	22 1/2"	17 1/8"	26 3/16" X 38 5/16"
28	X	48	22 1/2"	21 1/8"	26 3/16" X 46 5/16"
28	X	54	22 1/2"	24 1/8"	26 3/16" X 52 5/16"
28	X	60	22 1/2"	27 1/8"	26 3/16" X 58 5/16"
28	X	66	22 1/2"	30 1/8"	26 3/16" X 64 5/16"
28	X	72	22 1/2"	33 1/8"	26 3/16" X 70 5/16"
28	X	78	22 1/2"	36 1/8"	26 3/16" X 76 5/16"
28	X	84	22 1/2"	39 1/8"	26 3/16" X 82 5/16"
30	X	36	24 1/2"	15 1/8"	28 3/16" X 34 5/16"
30	X	40	24 1/2"	17 1/8"	28 3/16" X 38 5/16"
30	X	48	24 1/2"	21 1/8"	28 3/16" X 46 5/16"
30	X	54	24 1/2"	24 1/8"	28 3/16" X 52 5/16"
30	X	60	24 1/2"	27 1/8"	28 3/16" X 58 5/16"
30	X	66	24 1/2"	30 1/8"	28 3/16" X 64 5/16"
30	X	72	24 1/2"	33 1/8"	28 3/16" X 70 5/16"
30	X	78	24 1/2"	36 1/8"	28 3/16" X 76 5/16"
30	X	84	24 1/2"	39 1/8"	28 3/16" X 82 5/16"
36	X	36	30 1/2"	15 1/8"	34 3/16" X 34 5/16"
36	X	40	30 1/2"	17 1/8"	34 3/16" X 38 5/16"
36	X	48	30 1/2"	21 1/8"	34 3/16" X 46 5/16"
36	X	54	30 1/2"	24 1/8"	34 3/16" X 52 5/16"
36	X	60	30 1/2"	27 1/8"	34 3/16" X 58 5/16"
36	X	66	30 1/2"	30 1/8"	34 3/16" X 64 5/16"
36	X	72	30 1/2"	33 1/8"	34 3/16" X 70 5/16"
36	X	78	30 1/2"	36 1/8"	34 3/16" X 76 5/16"
36	X	84	30 1/2"	39 1/8"	34 3/16" X 82 5/16"
40	X	36	34 1/2"	15 1/8"	38 3/16" X 34 5/16"
40	X	40	34 1/2"	17 1/8"	38 3/16" X 38 5/16"
40	X	48	34 1/2"	21 1/8"	38 3/16" X 46 5/16"
40	X	54	34 1/2"	24 1/8"	38 3/16" X 52 5/16"
40	X	60	34 1/2"	27 1/8"	38 3/16" X 58 5/16"
40	X	66	34 1/2"	30 1/8"	38 3/16" X 64 5/16"
40	X	72	34 1/2"	33 1/8"	38 3/16" X 70 5/16"
40	X	78	34 1/2"	36 1/8"	38 3/16" X 76 5/16"
40	X	84	34 1/2"	39 1/8"	38 3/16" X 82 5/16"



- Finishes Available:**
- White
 - Eggshell
 - Colonial White
 - Burnt Sun
 - Dried Wheat
 - Sand
 - Patina Green
 - Aspen Moss
 - Bronze
 - Green
 - Sage Brown
 - Bahama Brown
 - Brick Red
 - Boysenberry
 - Jet Black
 - Light Bronze Anodized
 - Medium Bronze Anodized
 - Dark Bronze Anodized
 - Color to Match Exterior

Clad Wood Double Hung Windows Replacement Parts



Hardware

Top Sash Tilt Latch Components

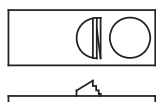


Left Slide Bolt
PART # 050357

Hand Designation
on the back side of latch



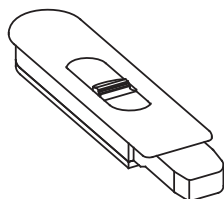
Right Slide Bolt
PART # 050358



Tilt Latch Button
PART # 047360

Spring
PART # 047361

Bottom Sash Tilt Latches



COLOR	LEFT	RIGHT
Goldtone	050343	050344
White	050345	050346
03 Bronze	050347	050348
Bright Brass	050349	050350
Brushed Chrome	050351	050352
Champagne	050353	050354
Oil Rubbed -FB	050355	050356

Tilt Latch Support - Part # 047844 (2 per check rail)

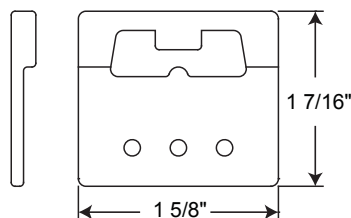
Top Sash Block - Part # 11823



Note: Parts drawings not to scale.

Keeper Qty (2) for all sizes. Keepers are located on the top sash check rail (See ctlg pg H3 DH-7 for location) Fastened with qty (2) #6 x 1" wood screws.

ENG DRAWING Reference
H3DH 800 025 H3 Double Hung Keeper



COLOR	PART #
Goldtone	047371
White	047372
03 Bronze	047373
Bright Brass	047374
Brushed Chrome	047375
Champagne	047376
Oil Rubbed -FB	047377

#6 x 1" Screws Qty 2 per Keeper

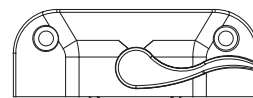
COLOR	Part #
Champagne	047488
White	047489
03 Bronze	047490
Goldtone	047491

Lock

ENG DRAWING Reference
H3DH 800 020 Double Hung Sweep Lock
H3DH 252 025 Bottom Sash Check Rail Assembly



LEFT LOCK
USED FOR SINGLE LOCK AND TWO LOCKS



RIGHT LOCK
USED FOR TWO LOCKS



Side View

#6 x 1" Screws Qty 2 per Lock

COLOR	LEFT	RIGHT
Goldtone	047378	047499
White	047379	047500
03 Bronze	047380	047501
Bright Brass	047381	047502
Brushed Chrome	047382	047503
Champagne	047383	047504
Oil Rubbed -FB	047384	047505

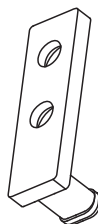
COLOR	Part #
Champagne	047488
White	047489
03 Bronze	047490
Goldtone	047491

Tilt Pin - Part # 050342

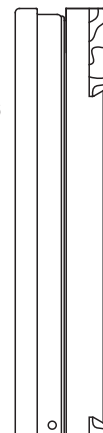
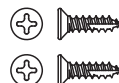
CAUTION!

This tilt pin part # must be used with new balance shown on Ctlg pg 6

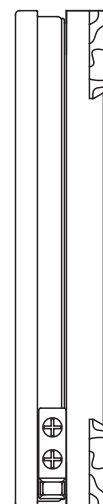
ENG DRAWING Reference
H3DH 800 010 Tilt Pin
H3DH 252 020 Tilt Pin Assembly



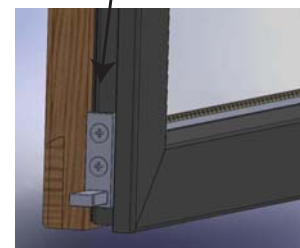
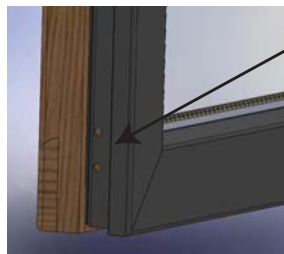
Qty (2) #7 x 5/8" Screws Per Tilt Pin
Part # 024901



View of Right Stile Before Tilt Pin



View of Right Stile with Tilt Pin Installed, Left Side Similar



Qty 2 Tilt Pins per Sash



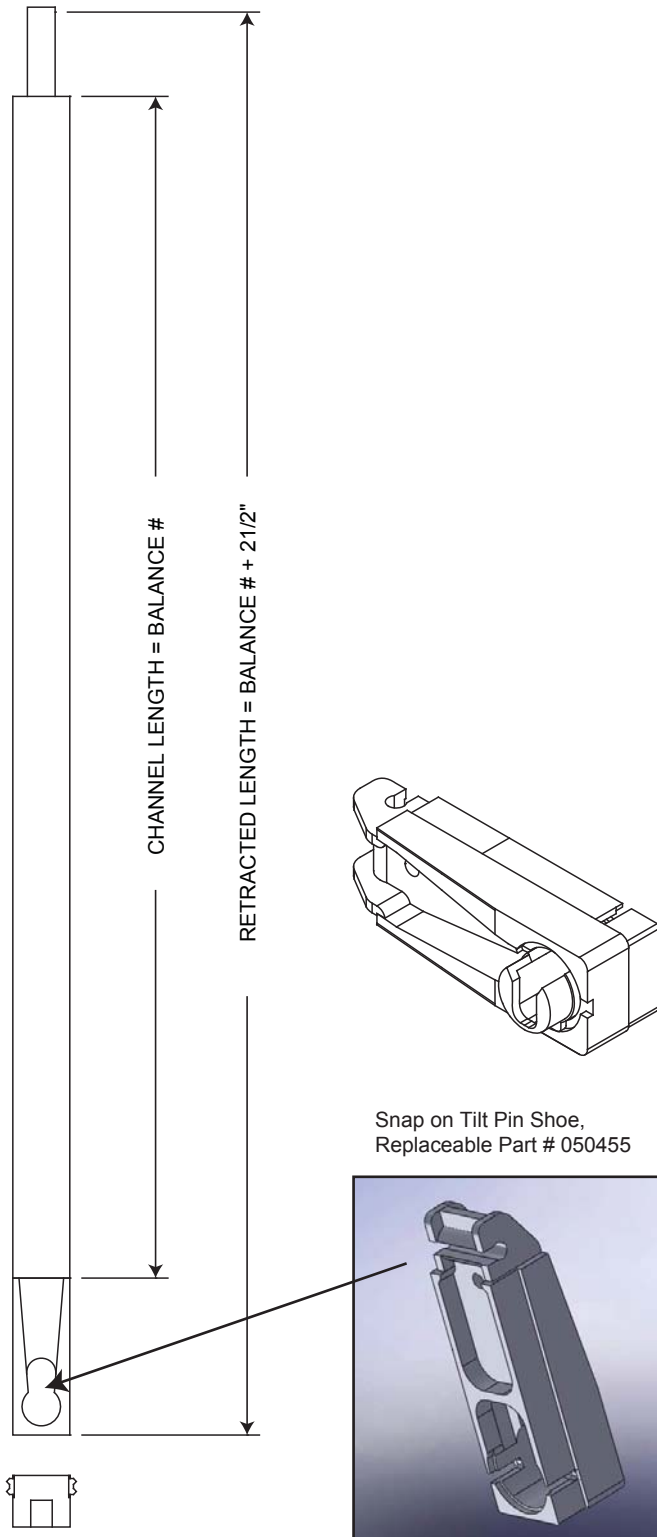


Clad Wood Double Hung Windows Replacement Parts

Hardware, Newell Balance

BALANCE NUMBER	PART #
14B	021460
14C	021461
14D	024410
16B	021462
16C	021463
16D	021464
20B	021465
20C	021466
20D	021467
20E	021468
22B	021469
22C	021470
22D	021471
22E	024412
23D	025722
24B	021472
24C	021473
24D	021474
24E	021475
26B	021477
26C	021478
26D	021479
26E	021480
28B	021482
28C	021483
28D	021484
28E	021485
30B	024396
30C	021486
30D	021487
30E	024413
32B	021488
32C	021489
32D	021490
32E	021491
34B	021493
34C	021494
34D	021495
34F	024414
36B	024397
36C	024402
36D	024405
36E	021496
36F	024415

BALANCE NUMBER	PART #
40B	024398
40C	024400
40D	024403
40E	024399
40F	024408
40G	024416
40H	024417
42B	024406
42C	024401
42D	024404
42E	024407
42G	024409
42H	024418



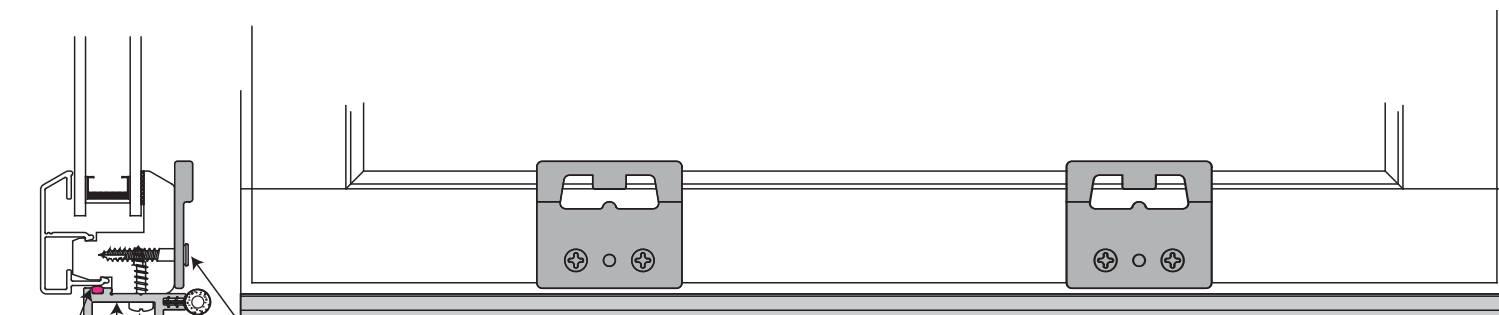
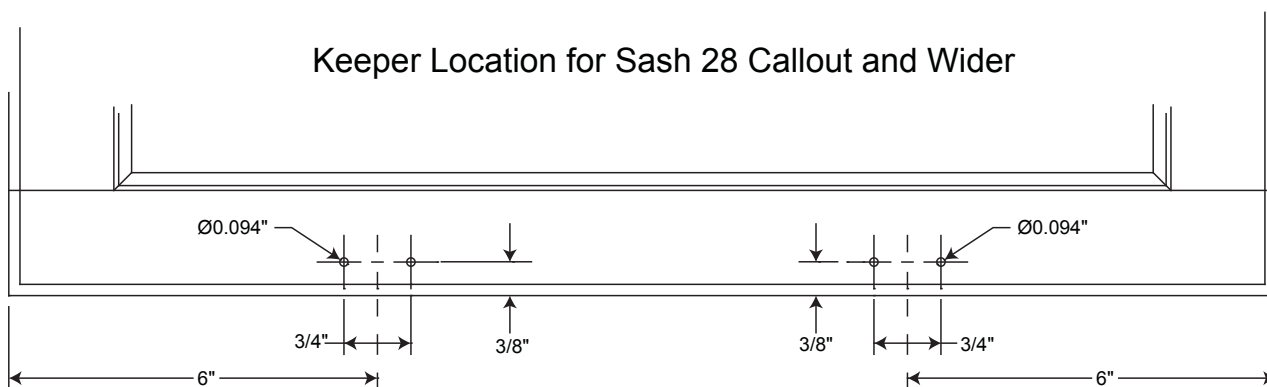
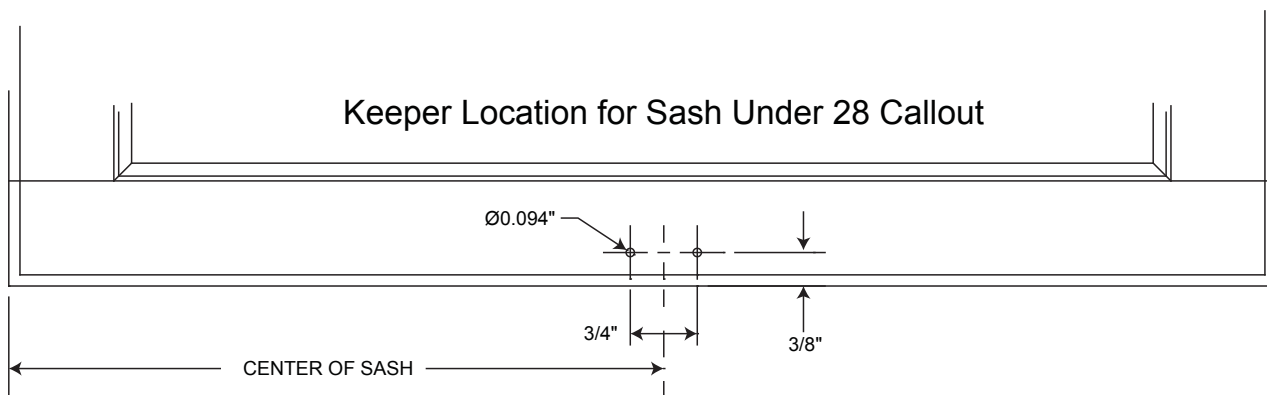
Note: Parts drawings not to scale.



Clad Wood Double Hung Windows Replacement Parts



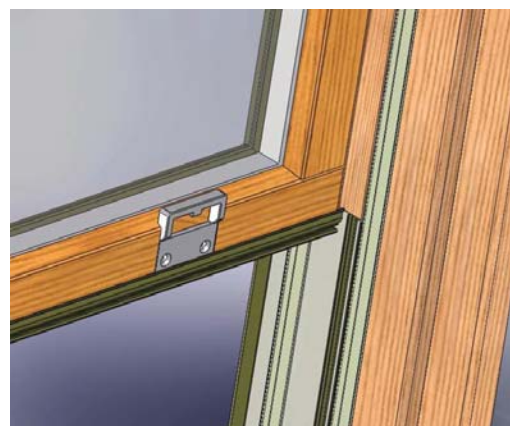
Hardware, Keeper Location, Upper Sash See Page 5 for Keeper Part #'s



#6 x 5/8" Screws
Match exterior clad color

COLOR	Part #
White	011635
Bronze	011636
Sand	015517
Green	032142
Brick Red	075321

COLOR	Part #
Champagne	047488
White	047489
03 Bronze	047490
Goldtone	047491



Note: Parts drawings not to scale.

Nov/2011



©2011 Hurd Windows & Doors

H3DH-7

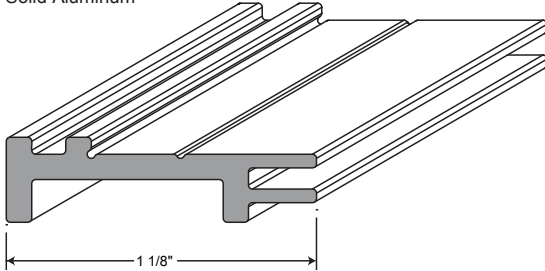


Clad Wood Double Hung Windows Replacement Parts

Aluminum & Vinyl Parts

Exterior Check Rail Cover, Top Sash Bottom Rail

DRAWING Reference
H3DH 600 010 Double Hung Exterior Check Rail Cover
Solid Aluminum

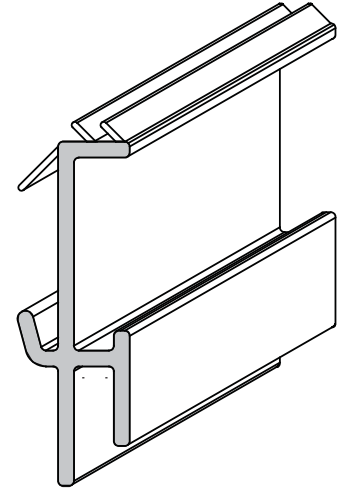


Bottom of the Top Sash Shown

12' Part #	Exterior Clad Color
046367	White
046368	Eggshell
046369	Sand
046370	Bronze
046371	Brick Red
046372	Green
046373	Jet Black
046374	Sage Brown
046375	Burnt Sun
046376	Dried Wheat
046377	Aspen Moss
046378	Patina Green
046379	Boysenberry
046380	Colonial White
046381	Bahama Brown
046382	Medium Bronze Anodize
046383	Dark Bronze Anodize

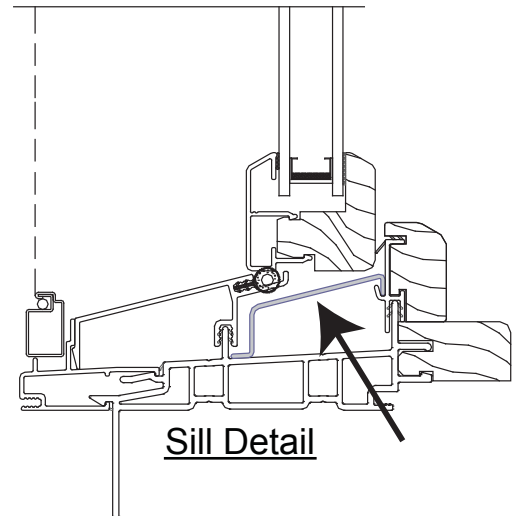
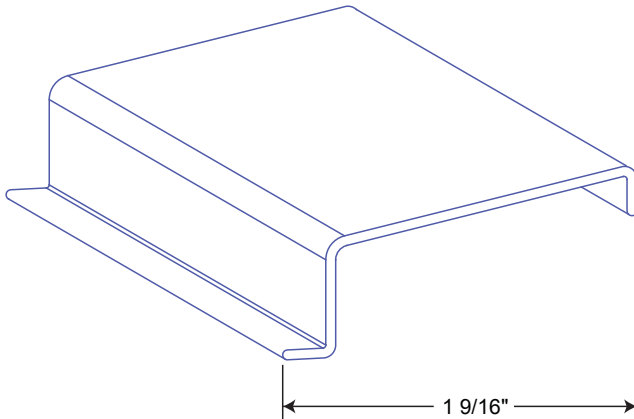
Frost Barrier

DRAWING Reference
H3DH 700 015 H3DH Sill Frost Barrier
12' Part # 047362



Vinyl Sill Cover

DRAWING Reference
H3DH 700 020 H3 Double Hung Vinyl Sill Filler Cover
12' Part # 047363 Rigid PVC Beige



Sill Detail

Note: Parts drawings not to scale.



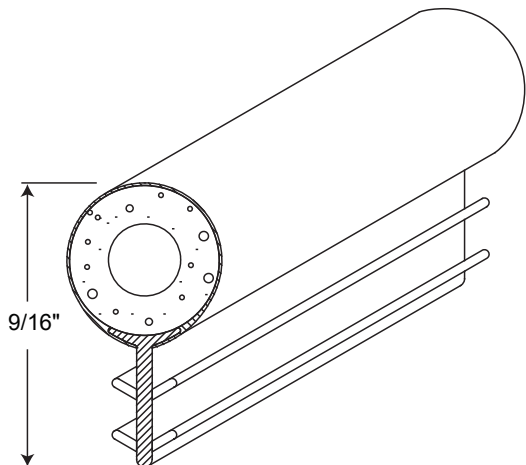
Clad Wood Double Hung Windows Replacement Parts



Weatherstrip

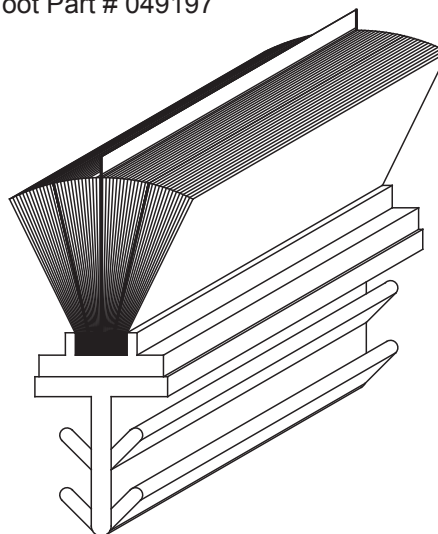
Frame & Meeting Rail Weatherstrip

ENG DRAWING Reference: H3DH 700 065 Frame Weatherstrip
Lineal Foot Part # 098752 Sand



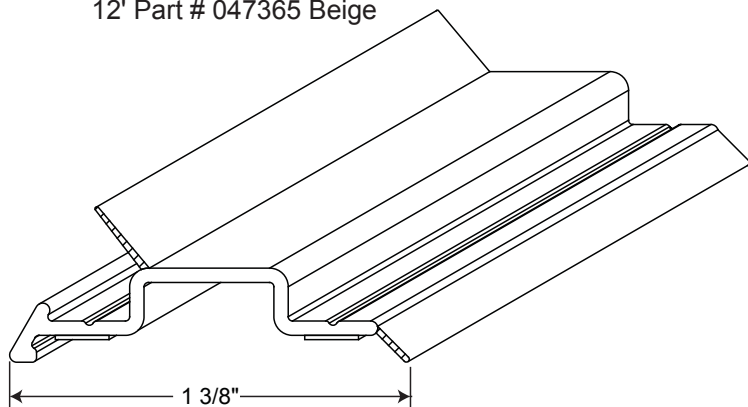
Jambliner Weatherstrip

ENG DRAWING Reference: H3DH 700 075 Jambliner Weatherstrip
Lineal Foot Part # 049197



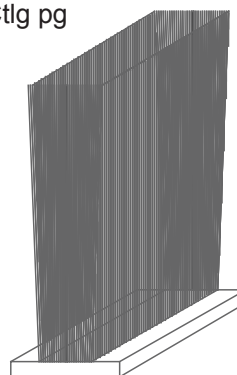
Top Sash, Top Rail Weatherstrip

ENG DRAWING Reference: H3DH 700 060 Jambliner Weatherstrip
12' Part # 047365 Beige



Jambliner Weatherstrip

ENG DRAWING Reference: H3DH 800 055 Jambliner Dust Block
Part # 021953
Also See Ctlg pg
H3DH-15

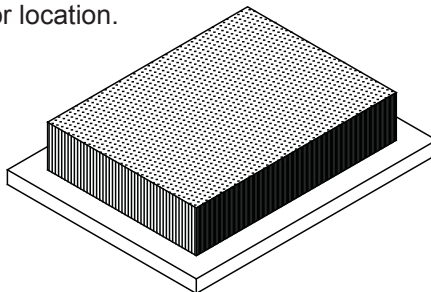
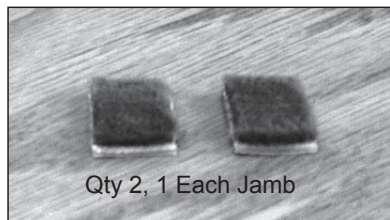


Jamb Weatherstrip Pad

ENG DRAWING Reference: KV 700 030

Part # 096086

Also See Ctlg pg H3DH-15 & -19 for location.



Note: Parts drawings not to scale.

Nov/2011 April/2012



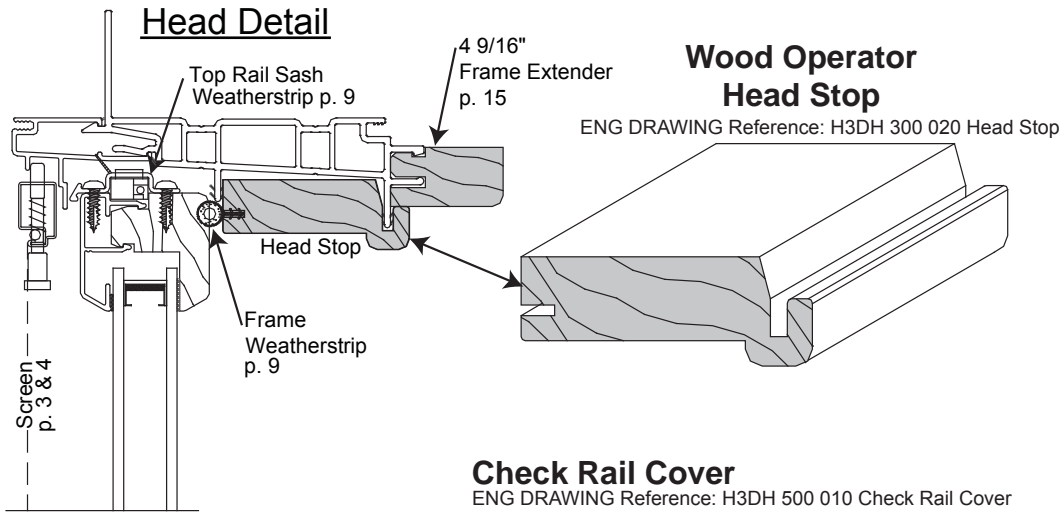
©2012 Hurd Windows & Doors

H3DH-9



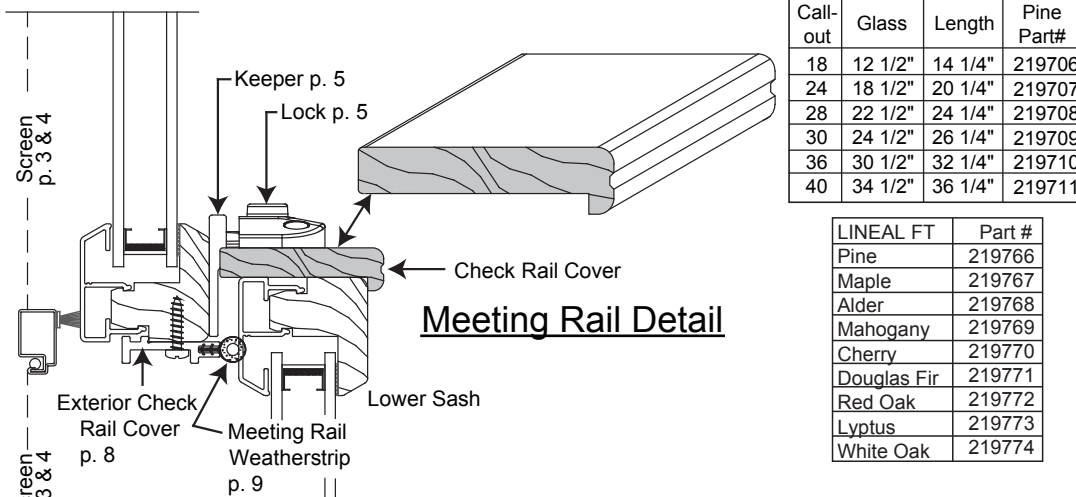
Clad Wood Double Hung Windows Replacement Parts

Wood Parts, Operating Units, Head & Sill



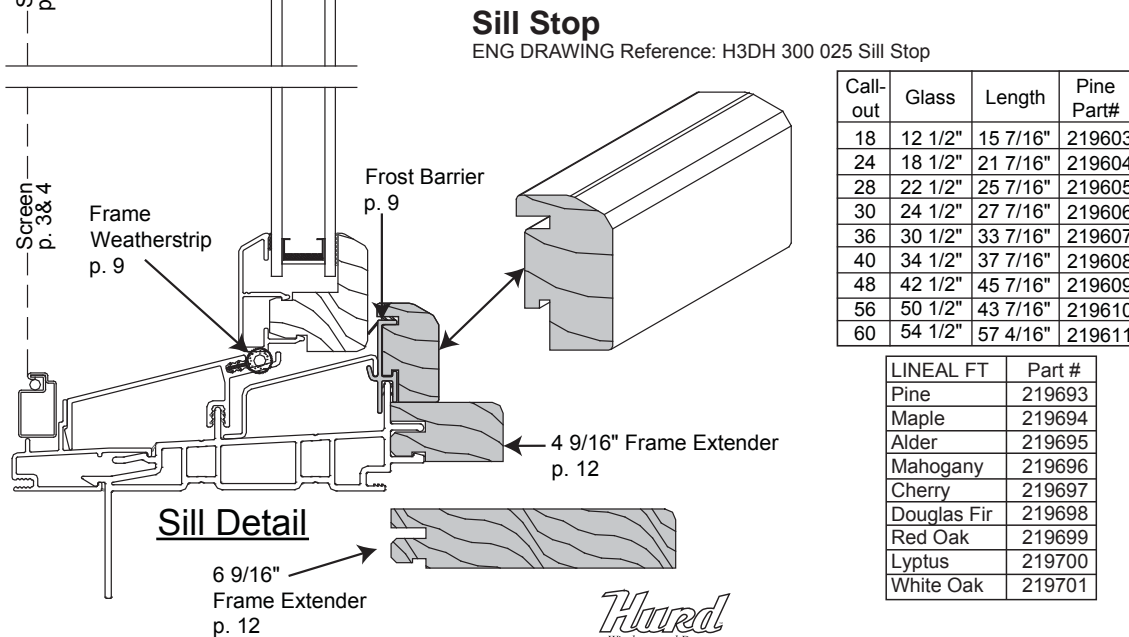
Call-out	Glass	Length	Pine Part#
18	12 1/2"	14 1/2"	219513
24	18 1/2"	20 1/2"	219514
28	22 1/2"	24 1/2"	219515
30	24 1/2"	26 1/2"	219516
36	30 1/2"	32 1/2"	219517
40	34 1/2"	36 1/2"	219518

LINEAL FT	Part #
Pine	219593
Maple	219594
Alder	219595
Mahogany	219596
Cherry	219597
Douglas Fir	219598
Red Oak	219599
Lyptus	219600
White Oak	219601



Call-out	Glass	Length	Pine Part#
18	12 1/2"	14 1/4"	219706
24	18 1/2"	20 1/4"	219707
28	22 1/2"	24 1/4"	219708
30	24 1/2"	26 1/4"	219709
36	30 1/2"	32 1/4"	219710
40	34 1/2"	36 1/4"	219711

LINEAL FT	Part #
Pine	219766
Maple	219767
Alder	219768
Mahogany	219769
Cherry	219770
Douglas Fir	219771
Red Oak	219772
Lyptus	219773
White Oak	219774



Call-out	Glass	Length	Pine Part#
18	12 1/2"	15 7/16"	219603
24	18 1/2"	21 7/16"	219604
28	22 1/2"	25 7/16"	219605
30	24 1/2"	27 7/16"	219606
36	30 1/2"	33 7/16"	219607
40	34 1/2"	37 7/16"	219608
48	42 1/2"	45 7/16"	219609
56	50 1/2"	43 7/16"	219610
60	54 1/2"	57 4/16"	219611

LINEAL FT	Part #
Pine	219693
Maple	219694
Alder	219695
Mahogany	219696
Cherry	219697
Douglas Fir	219698
Red Oak	219699
Lyptus	219700
White Oak	219701



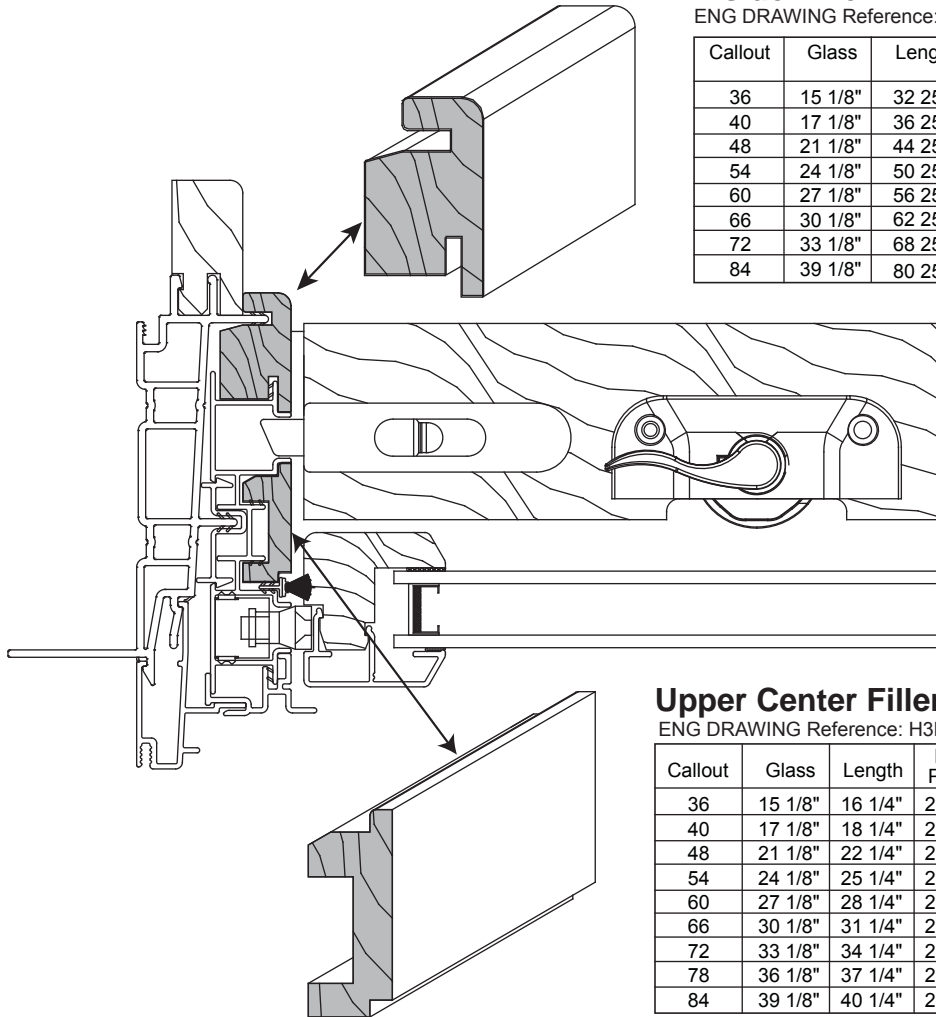
Clad Wood Double Hung Windows Replacement Parts



Wood Parts, Operating Units, Side Jamb

Inside Filler

ENG DRAWING Reference: H3DH 300 015 Jamliner Inside



Callout	Glass	Length	Pine Part#
36	15 1/8"	32 25/32"	219423
40	17 1/8"	36 25/32"	219424
48	21 1/8"	44 25/32"	219425
54	24 1/8"	50 25/32"	219426
60	27 1/8"	56 25/32"	219427
66	30 1/8"	62 25/32"	219428
72	33 1/8"	68 25/32"	219429
84	39 1/8"	80 25/32"	219430

LINEAL	Part #
Pine	219503
Maple	219504
Alder	219505
Mahogany	219506
Cherry	219507
Douglas Fir	219508
Red Oak	219509
Lyptus	219310
White Oak	219511
White	219512

Upper Center Filler

(Also Shown on Ctlg page H3DH-15)

ENG DRAWING Reference: H3DH 300 010 Upper Center Filler

Callout	Glass	Length	Pine Part #
36	15 1/8"	16 1/4"	219323
40	17 1/8"	18 1/4"	219324
48	21 1/8"	22 1/4"	219325
54	24 1/8"	25 1/4"	219326
60	27 1/8"	28 1/4"	219327
66	30 1/8"	31 1/4"	219328
72	33 1/8"	34 1/4"	219329
78	36 1/8"	37 1/4"	219330
84	39 1/8"	40 1/4"	219331

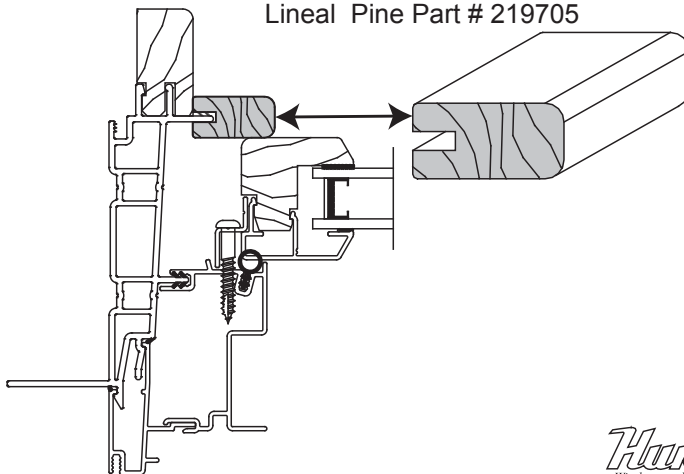
LINEAL	Part #
Pine	219413
Maple	219414
Alder	219415
Mahogany	219416
Cherry	219417
Douglas Fir	219418
Red Oak	219419
Lyptus	219420
White Oak	219421
White	219422

Wood Parts, Picture Units, Head & Side Jamb

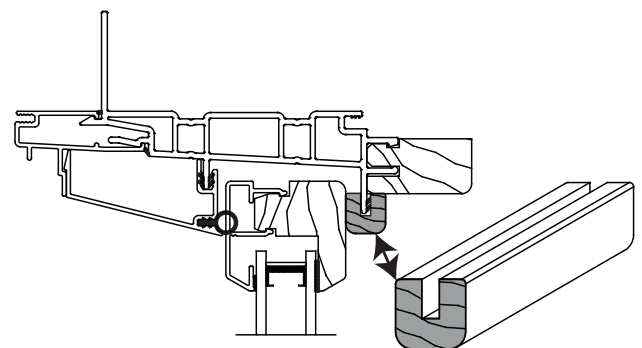
ENG DRAWING Reference: H3DH 300 035 Picture Inside Stops

Inside Jamb Stop

Lineal Pine Part # 219705



Inside Head Stop



Lineal Pine Part # 219704



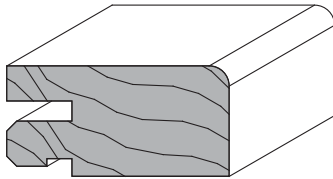
Note: Parts drawings not to scale.



Clad Wood Double Hung Windows Replacement Parts

Wood Parts

Frame Extender 4 9/16"



HORIZONTAL = GLASS + 1 3/16"
ENG DRAWING Reference: H3DH 300 005 Frame Extender

CALL OUT	LENGTH	PART #	
			PINE
18	16 13/16"		216756
24	22 13/16"		216757
28	26 13/16"		216758
30	28 13/16"		216759
36	34 13/16"		216760
40	38 13/16"		216761
48	46 13/16"		216761
56	54 13/16"		216762

LINEAL	Part #
Pine	216762
Maple	219158
Alder	219166
Mahogany	219174
Cherry	219182
Douglas Fir	219190
Red Oak	219198
Lyptus	219206
White Oak	219214
White	216769

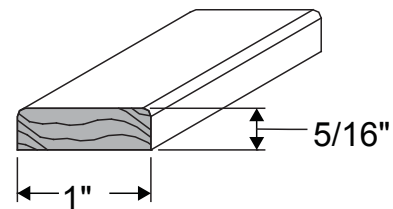
VERTICAL = GLASS + 2 9/16"

CALL OUT	LENGTH	PART #	
			PINE
18	15 7/16"		216770
24	21 7/16"		216771
28	25 7/16"		216772
30	27 7/16"		216773
36	33 7/16"		216774
40	37 7/16"		216775
48	45 7/16"		216776
54	51 7/16"		216777
60	57 7/16"		216778
66	63 7/16"		216779
72	69 7/16"		216780
78	75 7/16"		219215
84	81 7/16"		219216

LINEAL	Part #
Pine	201237
Maple	201359
Alder	201349
Mahogany	201351
Cherry	201348
Douglas Fir	201350
Red Oak	201361
Lyptus	201366
White Oak	201362
White	201238

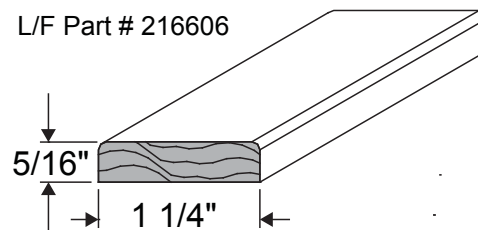
Multi-Wide Unit Interior Mull Trim for Factory continuous head and sill 1" x 5/16"

L/F Part # 216605

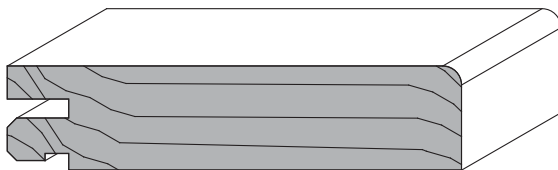


Multi-Wide Unit Interior Mull Trim for Field Mullled or Stacked 1 1/4" x 5/16"

L/F Part # 216606



Frame Extender 6 9/16"



HORIZONTAL = GLASS + 1 1/16"

CALL OUT	LENGTH
18	16 13/16"
24	22 13/16"
28	26 13/16"
30	28 13/16"
36	34 13/16"
48	46 13/16"
56	54 13/16"
60	58 13/16"

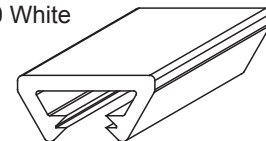
VERTICAL = GLASS + 1 11/16"

CALL OUT	LENGTH
18	15 7/16"
24	21 7/16"
28	25 7/16"
30	27 7/16"
36	33 7/16"
40	37 7/16"
48	45 7/16"
54	51 7/16"
60	57 7/16"
66	63 7/16"
72	69 7/16"

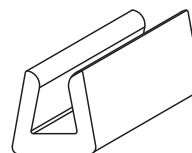
LINEAL	Part #
Pine	201239
Maple	201371
Alder	201367
Mahogany	201370
Cherry	201368
Douglas Fir	201369
Red Oak	201372
Lyptus	201375
White Oak	201373
White	201240

Vinyl Tight Interior Mull Cover

L/F Part # 041360 White



Exterior Mull Cover - L/F Part # 041360 White



COLOR	LINEAL FOOT PART NO.	12'
WHITE	011826	023869
BRONZE	011827	023870
SAND	015546	023871
GREEN	032039	032040
EGGSHELL	072806	072807
BRK RED	072978	072979
JET BLACK	095570	095281

Note: Parts drawings not to scale.

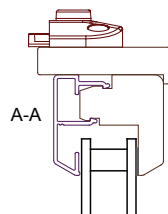
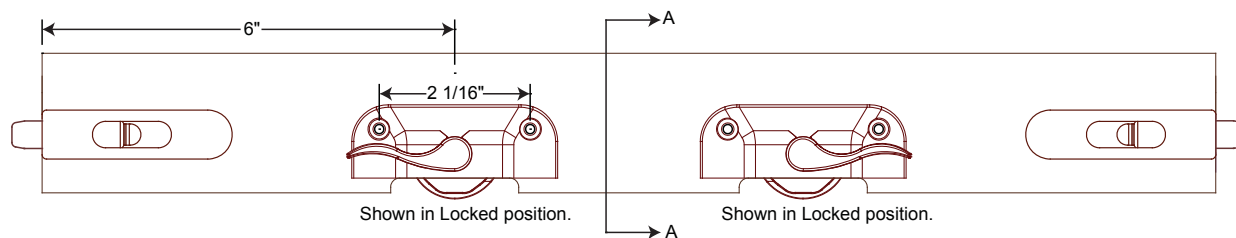


Clad Wood Double Hung Windows Replacement Parts

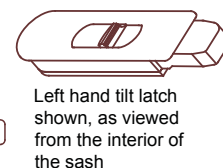
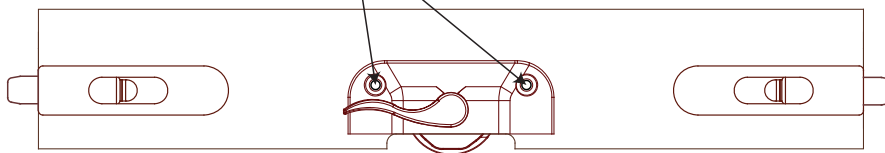


Bottom Sash, Check Rail Assembly

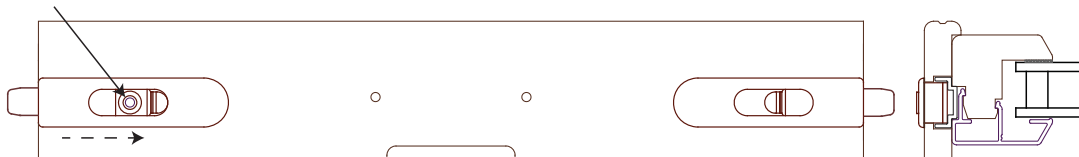
Units 28 Callout and wider get (2) locks.
Handles will face toward the side jambs when in the locked position.



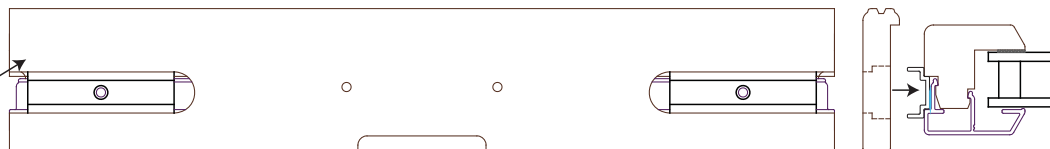
Set lock(s) in place.
Fasten with color matched
#6 x 1" wood screws.



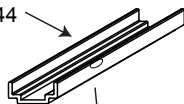
Push tilt lock in to access screw hole.
Fasten with #7 X 5/8" Part # 024901



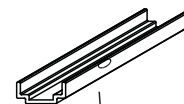
Set check rail cover in place.



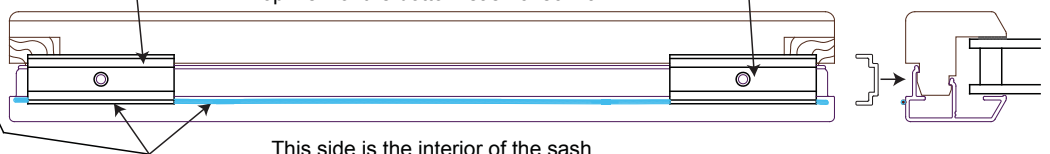
Tilt Latch Support Part # 047844



Top view of the bottom sash check rail



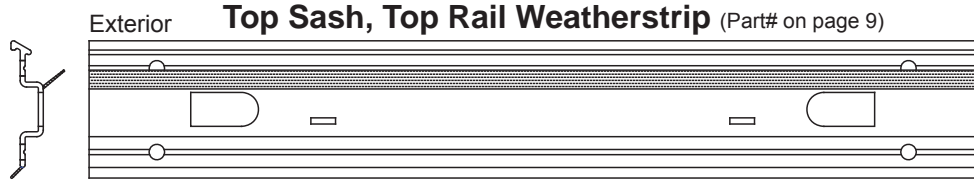
Apply a 1/16" bead of silicone as shown across sash and set tilt latch reinforcement clips.



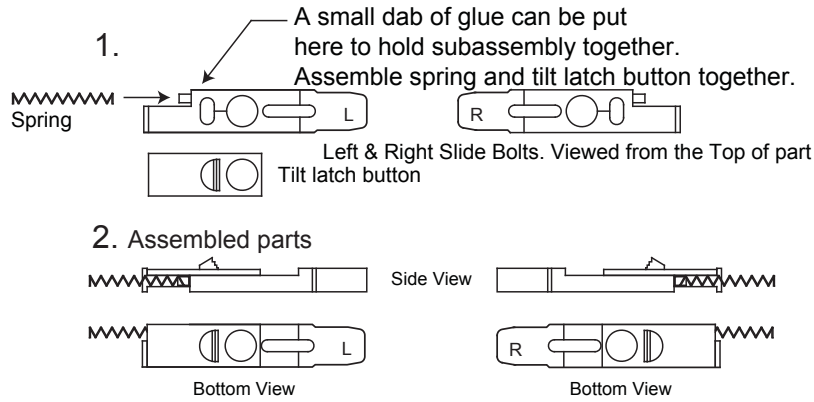


Clad Wood Double Hung Windows Replacement Parts

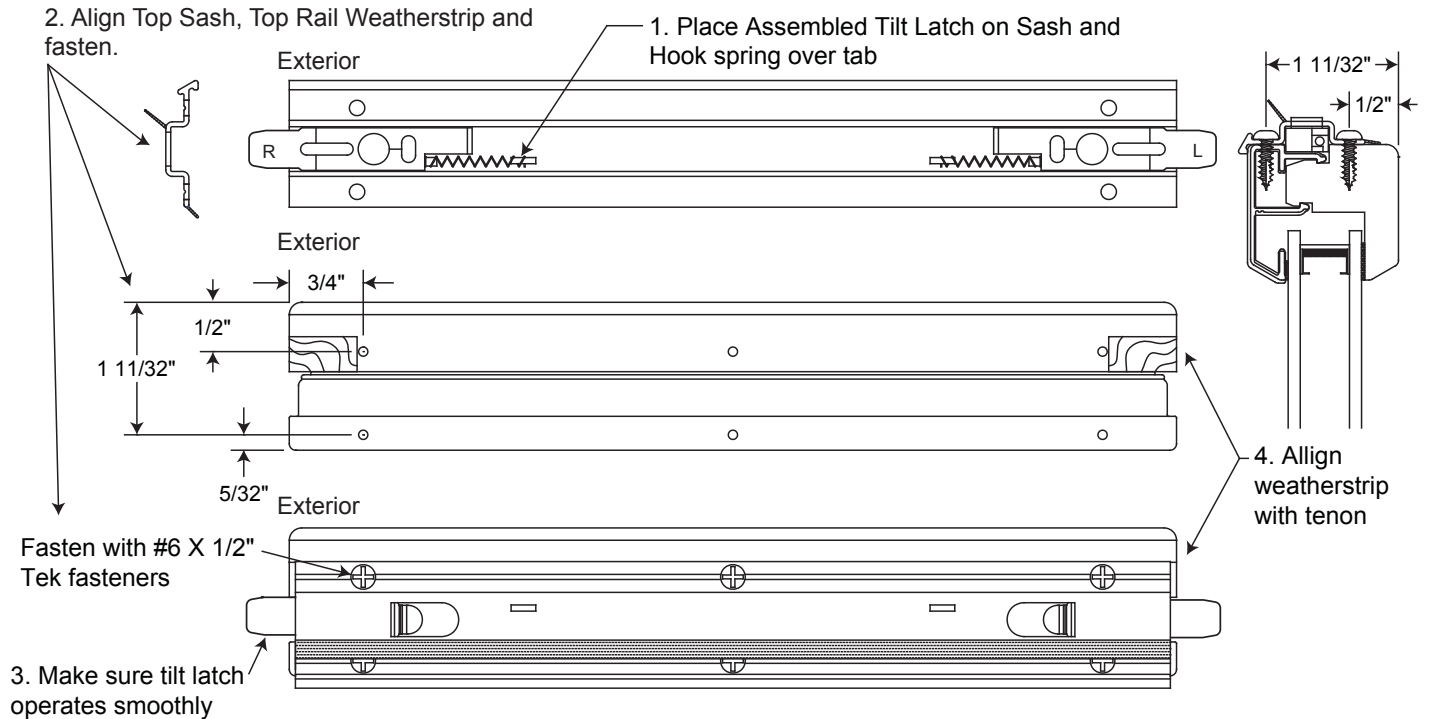
Top Sash, Top Rail Hardware Assembly



Top Sash Tilt Latch Components



Top of Bottom Sash Shown



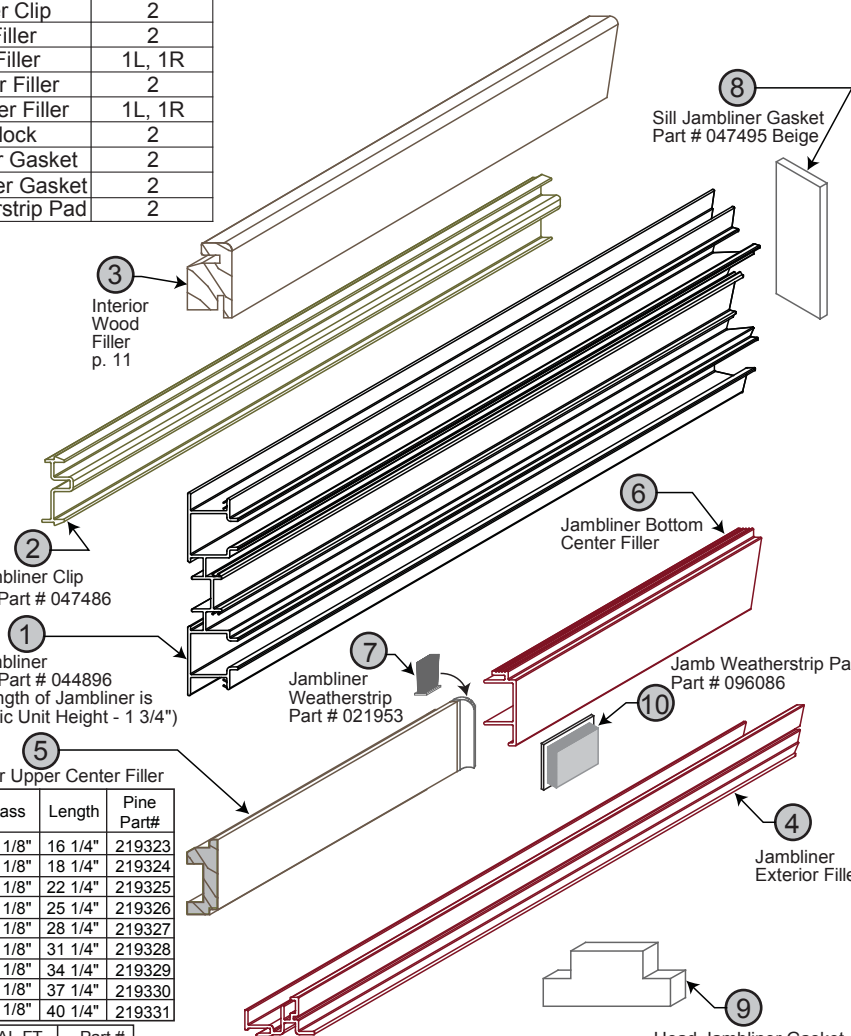
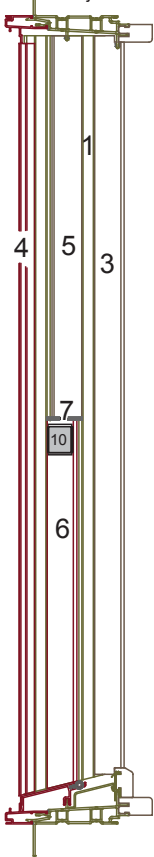
Clad Wood Double Hung Windows Replacement Parts



Jambliner Parts and Assembly

ID NO.	Description	QTY Per Unit
1	Jambliner Vinyl	1L, 1R
2	Jambliner Clip	2
3	Interior Filler	2
4	Exterior Filler	1L, 1R
5	Top Center Filler	2
6	Bottom Center Filler	1L, 1R
7	Dust Block	2
8	Sill Jambliner Gasket	2
9	Head Jambliner Gasket	2
10	Jamb Weatherstrip Pad	2

Side jamb Cut Detail



Call-out	Glass	Length	Pine Part#
36	15 1/8"	16 1/4"	219323
40	17 1/8"	18 1/4"	219324
48	21 1/8"	22 1/4"	219325
54	24 1/8"	25 1/4"	219326
60	27 1/8"	28 1/4"	219327
66	30 1/8"	31 1/4"	219328
72	33 1/8"	34 1/4"	219329
78	36 1/8"	37 1/4"	219330
84	39 1/8"	40 1/4"	219331

LINEAL FT	Part #
Pine	219413
Maple	219414
Alder	219415
Mahogany	219416
Cherry	219417
Douglas Fir	219418
Red Oak	219419
Lyptus	219420
White Oak	219421

4 Jambliner Exterior Filler

Part #	Exterior Clad Color
046418	White
046419	Eggshell
046420	Sand
046421	Bronze
046422	Brick Red
046423	Green
046424	Jet Black
046425	Sage Brown
046426	Burnt Sun
046427	Dried Wheat
046428	Aspen Moss
046429	Patina Green
046430	Boysenberry
046431	Colonial White
046432	Bahama Brown
046433	Medium Bronze Anodize
046434	Dark Bronze Anodize

6 Jambliner Bottom Center Filler

Part #	Exterior Clad Color
046435	White
046436	Eggshell
0046437	Sand
046438	Bronze
046439	Brick Red
046440	Green
046441	Jet Black
046442	Sage Brown
046443	Burnt Sun
046444	Dried Wheat
046445	Aspen Moss
046446	Patina Green
046447	Boysenberry
046448	Colonial White
046449	Bahama Brown
046450	Medium Bronze Anodize
046451	Dark Bronze Anodize

8 Sill Jambliner Gasket
Part # 047495 Beige

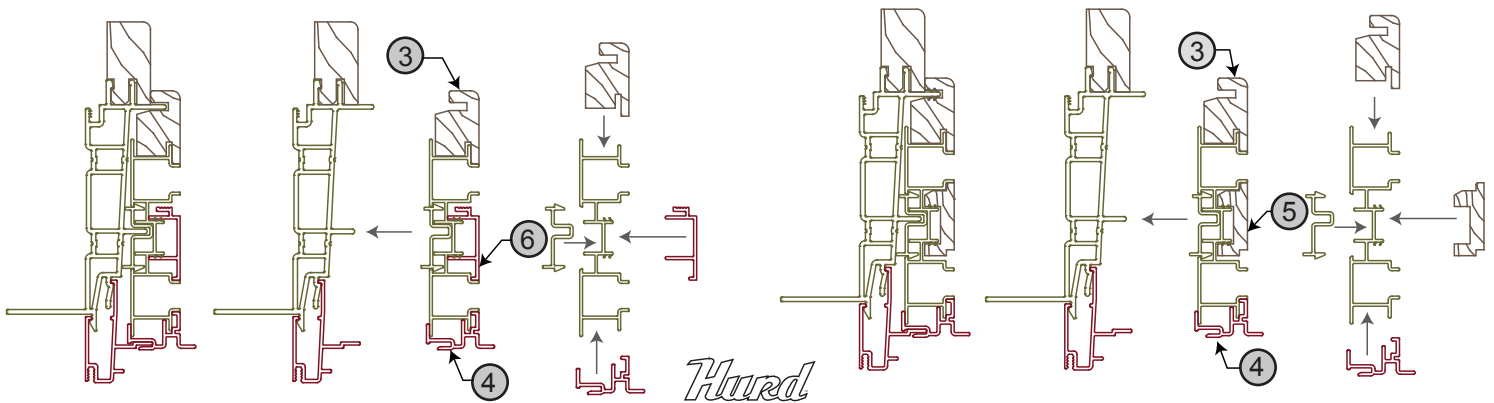
2 Jambliner Clip
12' Part # 047486

1 Jambliner
12' Part # 044896
(Length of Jambliner is
Basic Unit Height - 1 3/4")

7 Jambliner
Weatherstrip
Part # 021953

10 Jamb Weatherstrip Pad
Part # 096086

9 Head Jambliner Gasket
(Qty 1 per Side)
Part # 047492 Beige
See Parts Catalog Page 17
for placement

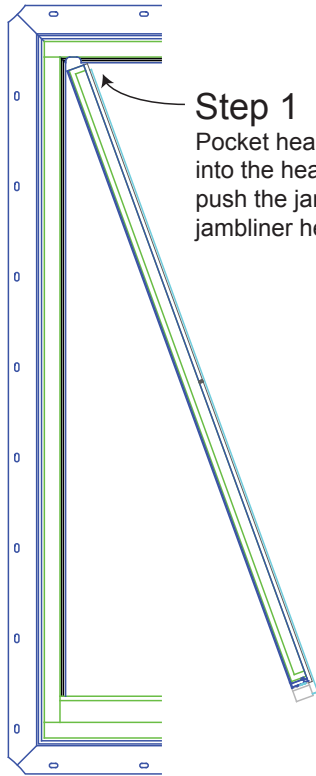




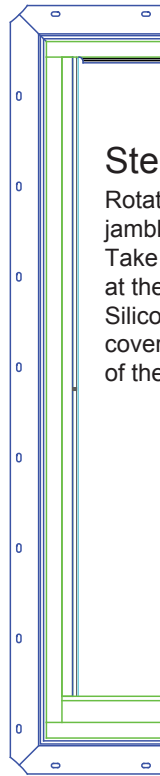
Clad Wood Double Hung Windows Replacement Parts

Installing Jambliner Assembly

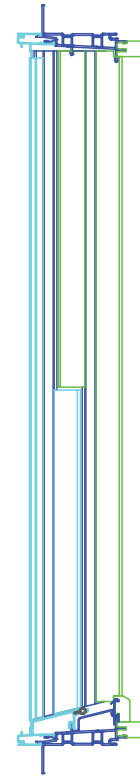
Installing Jambliner Assembly



Step 1
Pocket head end of jambliner into the head of the frame and push the jambliner up into the jambliner head gasket.



Step 2
Rotate the bottom of the jambliner into the frame. Take care not to roll the gasket at the end of the jambliner. Silicone spray on the sill cover can help the installation of the jambliner.



Step 3
Once jambliner is installed at the top and bottom, press jambliner into the frame the remainder of the length to verify that the jambliner is set tight into the frame.

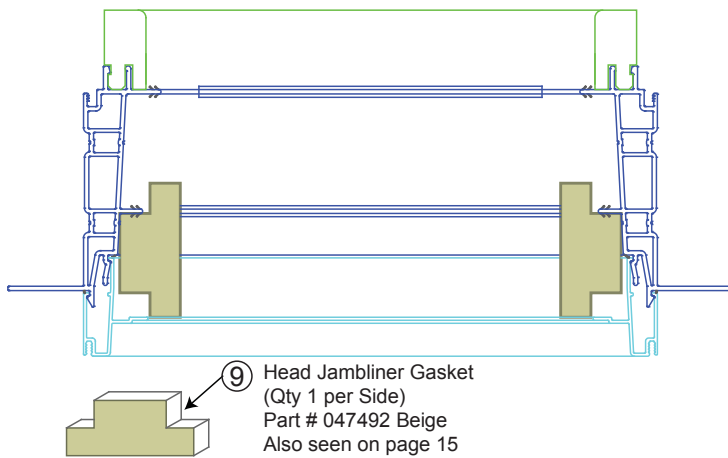


Clad Wood Double Hung Windows Replacement Parts

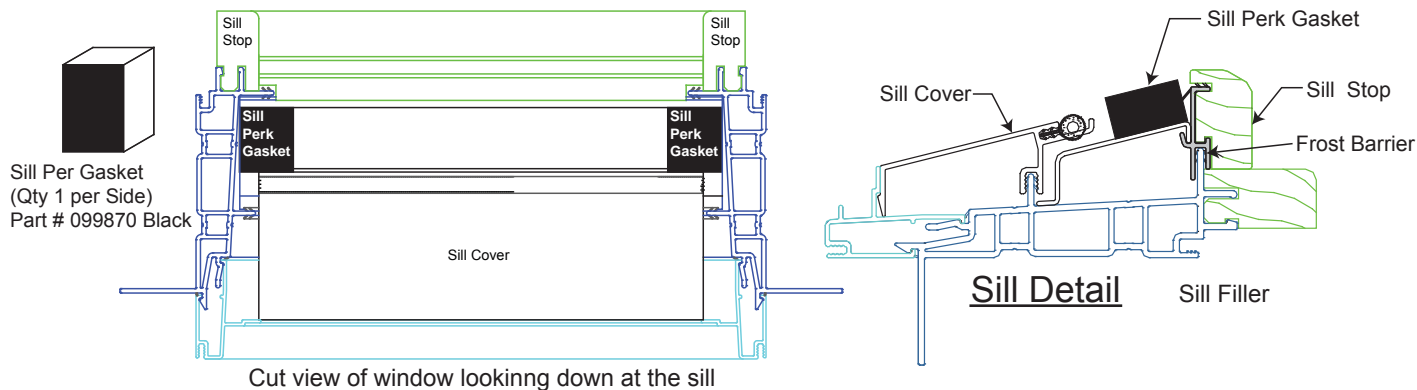


Assembly Details

Head Jambliner Gasket Placement



Sill Perk Gasket



Note: Parts drawings not to scale.

Nov/2011



©2011 Hurd Windows & Doors

H3DH-17



Clad Wood Double Hung Windows Replacement Parts

Color Scheme

Color of Joint Sealant to be used with Hurd Standard Exterior Clad Colors

<u>BRONZE Sealant Used on Cladding Colors:</u>	<u>SAND Sealant Used on Cladding Colors:</u>	<u>WHITE Sealant Used on Cladding Colors:</u>
Bronze	Sand	Eggshell
Green	Burnt Sun	White
Brick Red	Dried Wheat	Colonial White
Jet Black	Patina Green	Clear Anodize
Boysenberry	Champagne Anodize	
Aspen Moss (was Clay)	Light Bronze Anodize	
Bahama Brown		
Sage Brown		
Dark Bronze Anodize		
Medium Bronze Anodize		

Color of Joint Sealant to be used with Special Pallet Clad Colors

<u>BRONZE Sealant Used on Cladding Colors:</u>	<u>SAND Sealant Used on Cladding Colors:</u>	<u>WHITE Sealant Used on Cladding Colors:</u>
Natural Brown	Dijon	Bone White
River Rouge Red	Sandstone	
Quaker Bronze	Light Sea Wolf Beige	
Charcoal Gray	Slate Gray	
Copper Wire - Mica	Desert Rose	
Gray Velvet - Mica	Legacy Blue	
	Military Blue	
	Yorktown	
	Silver - Mica	
	Champagne Bronze - Mica	
	Champagne Rose - Mica	



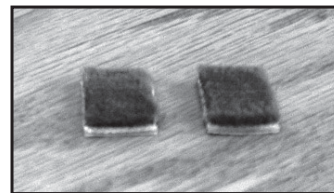
Clad Wood Fixed Double Hung Windows Replacement Parts



H3 Double Hung Jamb Weatherstrip Pad Placement

You will need: Isopropyl alcohol, shop towel(s), safety glasses & gloves.

1. Window prep, unlock, open and tilt the bottom sash and remove.
Locate the area where the weatherstrip pad will be applied, **Photo 1**
2. Pull the bulb weatherstrip out of the kerf at the top sash meeting rail location, approximately 2", **Photo 2**.
Push the top sash fuzzy pile weatherstrip aside, **Photo 2**.
3. Put on safety glasses and gloves. Use isopropyl alcohol on a shop towel to clean area on both jambs where the pads will be placed.
4. Jamb needs to be warmed to at least 55° F in order for the pads to adhere.
Use a hair dryer on medium heat to warm area.
5. Peel the backer off the weatherstrip pads to expose self-sticking surface.
6. Firmly place pads at locations identified in **Photo 1**.
7. Re-install bulb weatherstrip into sash kerf.
8. Re-install bottom sash.
9. Pad shown installed, **Photo 3**.



Weatherstrip Pads, Qty 2
Part # 096086

Photo 1

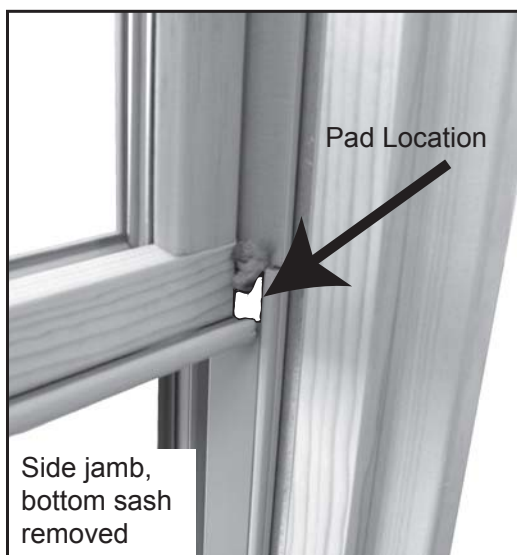


Photo 2

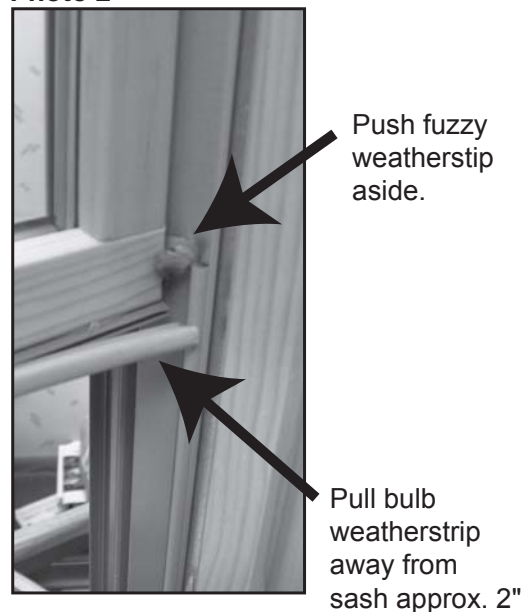


Photo 3

