



***H3 Clad Wood
Casement & Awning
Operating & Picture (Fixed) Windows
Parts Pages for:***

Fastener Schedule - Page 2

Screens - Page 3

Hardware, Mull Accessories & Misc. - Page 4-8

Weatherstrip - Page 9

Glass - Page 10-11

Wood Parts - Page 12 - 15

Stop Clip - Page 16

Color Scheme for Joint Sealant - Page 17

Hurd



Clad Wood Casement & Awning Windows Replacement Parts

Fasteners

H3 CASEMENT, AWNING, & PICTURE (FIXED) FASTENER SCHEDULE			
SCREWS			
PART #	DESCRIPTION	WHERE USED	QUANTITY
024901	#7 X 5/8" PH FL UC PBS (#7 HEAD)	OPERATOR TO SILL	6 PER OPERATOR
		HINGES TO SASH	8 PER SASH
		TRACK TO SASH	3 PER SASH
		BRACKET TO SASH	3 PER SASH
		SNUBBER TO SASH	2 PER SNUBBER
		KEEPER TO SASH	2 PER KEEPER
		SASH LIFT TO FRAME	1 PER SASH
V02855	#6 x 1" PH FLAT PBS	TIE BAR GUIDES	2 PER LOCK
		LOCK ACTUATOR	1 PER TIE BAR
013801	#7 X 1/2" PH FL SS SMS	HINGE TRACK TO FRAME	6 PER SASH
		SNUBBER TO FRAME	2 PER SNUBBER
015434	#6 X 2 3/4" PH FL SMS	FIXED SASH STOP TO SASH	AS REQ'D
096989	#8 X 3" DRYWALL SCREW	MULL JAMBS	2 PER MULL JAMB
096990	#8 X 1 5/8" DRYWALL SCREW	MULL JAMBS	2 PER MULL JAMB
STAPLES			
PART #	DESCRIPTION	WHERE USED	QUANTITY
010616	GSN18 X 1" STAPLE	PINNING SASH CORNERS	4 PER SASH
		FRAME EXTENDER ASSEMBLY	4 PER ASS'Y
NAILS			
PART #	DESCRIPTION	WHERE USED	QUANTITY
026764	18 X 3/4" T-NAIL	SILL COVER TO LOWER SECTION	5 PER SILL COVER
		SILL COVER TO SUPPORT BLOCK	2 PER SILL COVER
		FIXED SCREW COVER TO FRAME	AS REQ'D
095593	18 x 5/8" SS T-NAIL	SASH CLADDING CORNERS	4 PER SASH
SEALANTS AND TAPES			
PART #	DESCRIPTION	WHERE USED	QUANTITY
099511	WHITE SILICONE	WHITE CLAD CORNER KEYS	
099512	SAND SILICONE	SAND CLAD CORNER KEYS	
099513	BRONZE SILICONE	BRONZE CLAD CORNER KEYS	
019305	SM8500 ACRYLIC SEALANT	MULL POST JOINTS	
022016	SM5731 SILICONE	GLAZING	
097071	1/32" x 1/2" TWO SIDED TAPE	GLAZING	
025973	1/32" x 1" TWO SIDED TAPE	STATIONARY BLOCKS	
SHIMS			
PART #	DESCRIPTION	WHERE USED	QUANTITY
019300	1/8" X 3/4" X 1" GLASS SHIM	GLAZING	2 PER SASH MIN.



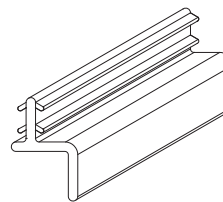
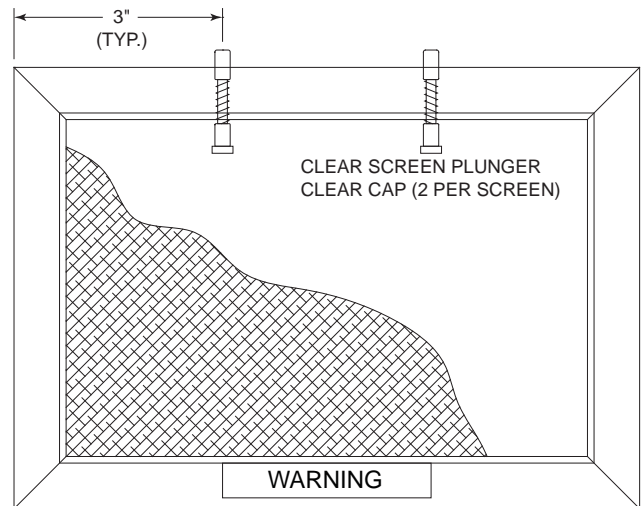
Clad Wood Casement & Awning Windows Replacement Parts



Screen, White, Bronze, Gold Tone & Champagne

Screen

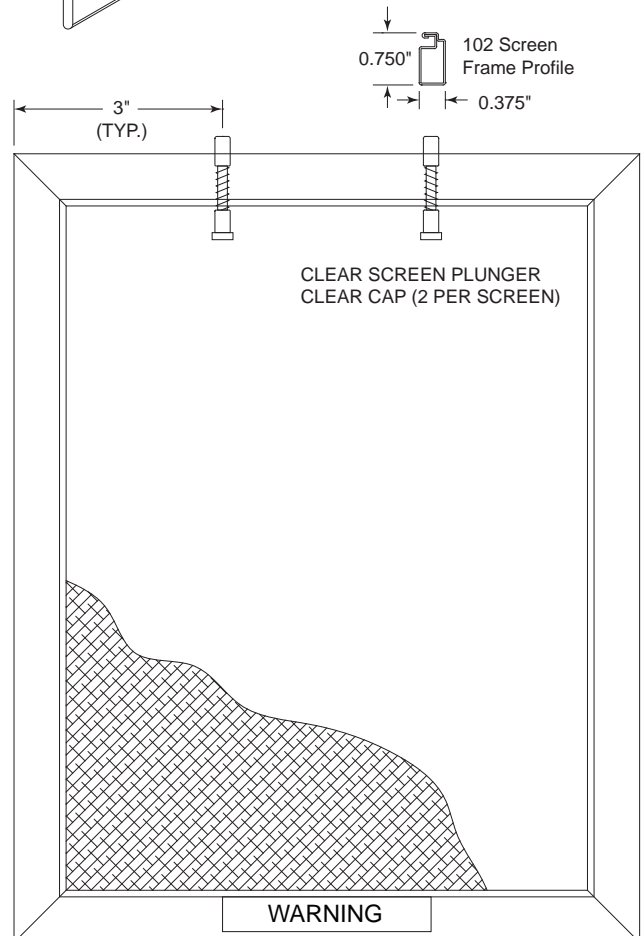
	CALLOUT		BASIC UNIT SIZE		SCREEN SIZE	
	WIDTH	HEIGHT	WIDTH	HEIGHT	WIDTH	HEIGHT
AWNING	18	18	17 1/2"	17 1/2"	14 5/16"	13 7/16"
	18	24	17 1/2"	23 1/2"	14 5/16"	19 7/16"
	24	18	23 1/2"	17 1/2"	20 5/16"	13 7/16"
	24	24	23 1/2"	23 1/2"	20 5/16"	19 7/16"
	30	18	29 1/2"	17 1/2"	26 5/16"	13 7/16"
	30	24	29 1/2"	23 1/2"	26 5/16"	19 7/16"
	30	28	29 1/2"	27 1/2"	26 5/16"	23 7/16"
	30	30	29 1/2"	29 1/2"	26 5/16"	25 7/16"
	30	36	29 1/2"	35 1/2"	26 5/16"	31 7/16"
	36	18	35 1/2"	17 1/2"	32 5/16"	13 7/16"
	36	24	35 1/2"	23 1/2"	32 5/16"	19 7/16"
	36	28	35 1/2"	27 1/2"	32 5/16"	23 7/16"
	36	30	35 1/2"	29 1/2"	32 5/16"	25 7/16"
	36	36	35 1/2"	35 1/2"	32 5/16"	31 7/16"
	48	24	47 1/2"	23 1/2"	44 5/16"	19 7/16"
	48	28	47 1/2"	27 1/2"	44 5/16"	23 7/16"
	48	30	47 1/2"	29 1/2"	44 5/16"	25 7/16"
	48	36	47 1/2"	35 1/2"	44 5/16"	31 7/16"



Screen Stop / Lineal Foot

White - 099325
Champagne - 099850

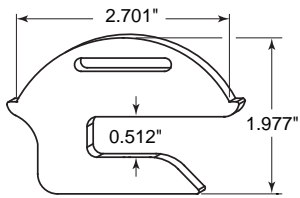
	CALLOUT		BASIC UNIT SIZE		SCREEN SIZE	
	WIDTH	HEIGHT	WIDTH	HEIGHT	WIDTH	HEIGHT
CASEMENT	18	36	17 1/2"	35 1/2"	14 5/16"	31 7/16"
	18	40	17 1/2"	39 1/2"	14 5/16"	35 7/16"
	18	48	17 1/2"	47 1/2"	14 5/16"	43 7/16"
	18	54	17 1/2"	53 1/2"	14 5/16"	49 7/16"
	18	60	17 1/2"	59 1/2"	14 5/16"	55 7/16"
	18	66	17 1/2"	65 1/2"	14 5/16"	61 7/16"
	18	72	17 1/2"	71 1/2"	14 5/16"	67 7/16"
	24	40	23 1/2"	39 1/2"	20 5/16"	35 7/16"
	24	48	23 1/2"	47 1/2"	20 5/16"	43 7/16"
	24	54	23 1/2"	53 1/2"	20 5/16"	49 7/16"
	24	60	23 1/2"	59 1/2"	20 5/16"	55 7/16"
	24	66	23 1/2"	65 1/2"	20 5/16"	61 7/16"
	24	72	23 1/2"	71 1/2"	20 5/16"	67 7/16"
	28	36	27 1/2"	35 1/2"	24 5/16"	31 7/16"
	28	40	27 1/2"	39 1/2"	24 5/16"	35 7/16"
	28	48	27 1/2"	47 1/2"	24 5/16"	43 7/16"
	28	54	27 1/2"	53 1/2"	24 5/16"	49 7/16"
	28	60	27 1/2"	59 1/2"	24 5/16"	55 7/16"
	28	66	27 1/2"	65 1/2"	24 5/16"	61 7/16"
	28	72	27 1/2"	71 1/2"	24 5/16"	67 7/16"
	30	54	29 1/2"	53 1/2"	26 5/16"	49 7/16"
	30	60	29 1/2"	59 1/2"	26 5/16"	55 7/16"
	30	66	29 1/2"	65 1/2"	26 5/16"	61 7/16"
	30	72	29 1/2"	71 1/2"	26 5/16"	67 7/16"
	36	60	35 1/2"	59 1/2"	32 5/16"	55 7/16"
	36	66	35 1/2"	65 1/2"	32 5/16"	61 7/16"
	36	72	35 1/2"	71 1/2"	32 5/16"	67 7/16"





Clad Wood Casement & Awning Windows Replacement Parts

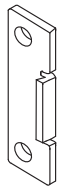
Hardware / Sash Keeper & Snubber / Lock Lever & Escutcheon, Mull Accessories & Misc.



DRAWING Reference H3CSE 800 045 Keeper

Keeper:

E-Gard - 099587
Stainless Steel - 047385
Sizes 60, 66, 72 = 3 Keepers



E-Gard Frame Side Snubber - 099295

Snubber Usage:
1 Per Awning

Requires Qty (2) #8 x 5/8"
PH FL UC PB Screws
Part # 024901

2 for Casement units
54 callout and smaller



E-Gard Sash Side Snubber - 099296

Snubber Usage:
1 Per Awning

Requires Qty (2) #8 x 5/8"
PH FL UC PB Screws
Part # 024901

2 for Casement units
54 callout and smaller

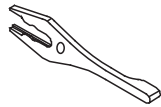
DRAWING Reference H3CSE 800 070 Snubbers



Stainless Steel Sash Compression Snubber - 022046

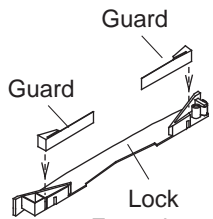
Snubber Usage:
1 at middle of Casement units
60 callout and larger

DRAWING Reference H3CSE 800 125 Combination Snubber



Lever Lock Handle

Gold Tone - 096419
White - 010265
Champagne - 096497



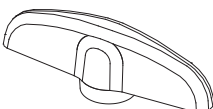
Lock Escutcheon w/Guards

Gold Tone - 099029
White - 099030
Champagne - 099038

Guard (Gray color) - 099028
Qty 2 per Lock Escutcheon,
Escutcheon May be Ordered Separately

DRAWING Reference H3CSE 800 036 Lock Handle & Escutcheon

Construction T-Handle - 097103

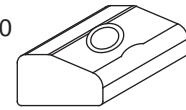


Note: Parts drawings not to scale.

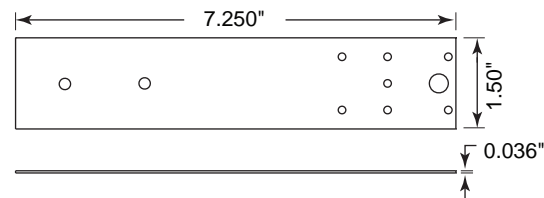
H3CA-AW-4

ECN 001164 01-04-2011, Changed E-Gard Keeper from 099289 to 099587
ECN 001166 03/2011, Added Stainless Steel Options

Sash Lift / Shim - 099290

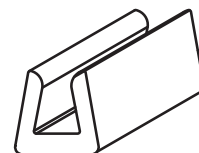
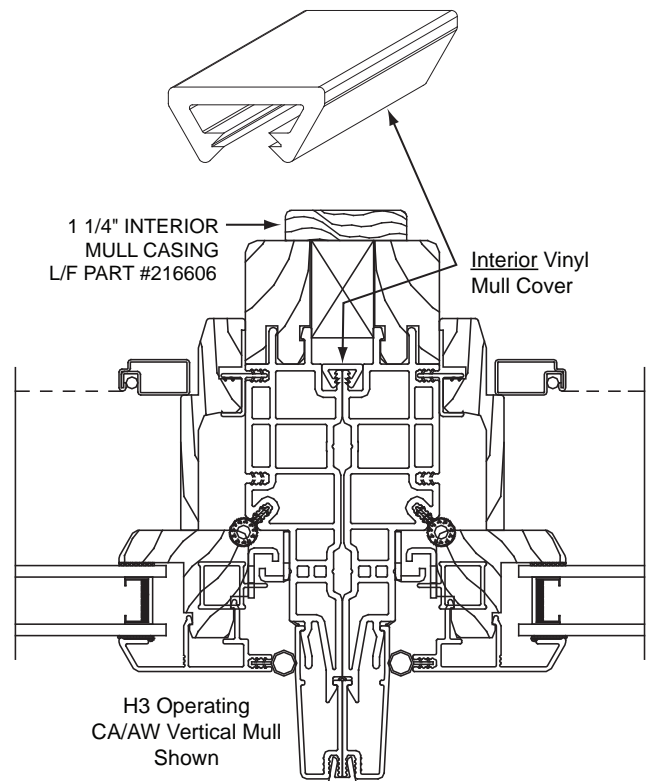


DP50 Mull Strap Anchor - 012230



DRAWING Reference H3CSE 800 120 DP50 Mull Strap Anchor

Vinyl Tight Mull Cover - L/F Part# 041360 White



Standard Aluminum
Exterior Mull Cover

COLOR	LINEAL FOOT PART NO.	12'
WHITE	011826	023869
BRONZE	011827	023870
SAND	015546	023871
GREEN	032039	032040
EGGSHELL	072806	072807
BRK RED	072978	072979
JET BLACK	095570	095281



©2010 Hurd Windows & Doors

July/2010, Jan/2011, Feb /011

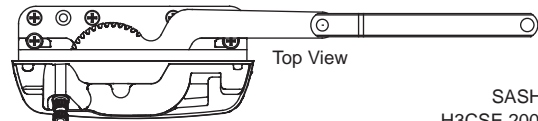
Clad Wood Casement Windows Replacement Parts



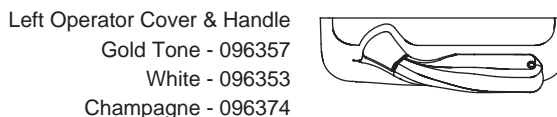
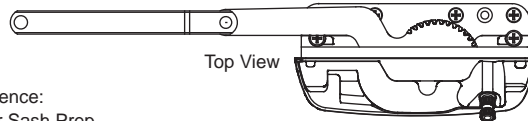
Hardware / Operators & Handle Sets / Brackets

Encore Dyad Operator 18 & 24 CALLOUT WIDTHS

Left Operator:
E-GARD 096338 & Stainless Steel 096411



Right Operator:
E-GARD 096339 & Stainless Steel 096412



SASH Prep DRAWING Reference:
H3CSE 200 010 Dual Arm Operator Sash Prep

Dyad Sash Bracket, Left - 099292



Dyad Sash Bracket, Right - 099293



DRAWING Reference:

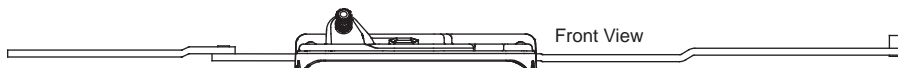
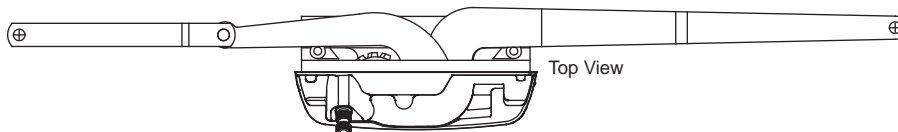
H3CSE 800 030 for part and H3CSE 200 015 for Sash Prep - SEE PAGE H3CA-AW-9 IN THIS CATALOG

DRAWING Reference H3CSE 800 016 Encore Operators Dual Arm and Dyad

Encore Dual Arm Operators 28 & Larger CALLOUT WIDTHS

DRAWING Reference:
H3CSE 200 010 Dual Arm Operator Sash Prep

Right Operator: E-GARD 096341 & Stainless Steel 096410



Sash Bracket - Encore Operator Casement

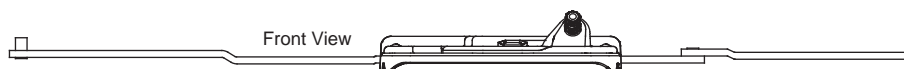
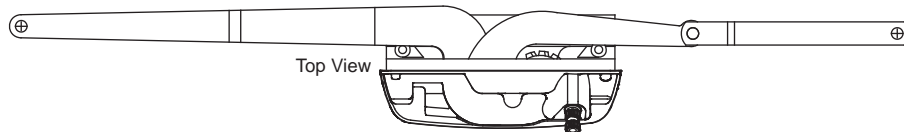
DRAWING Reference:
H3CSE 800 030 for part and H3CSE 200 015 for Sash Prep



Right (Shown):
E-GARD 096350
Stainless Steel 096416

Left:
E-GARD 096349
Stainless Steel 096417

Left Operator: E-GARD 096340 & Stainless Steel 096409



Note: Parts drawings not to scale.

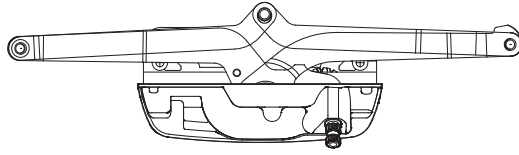


Clad Wood Casement and Awning Windows Replacement Parts

Hardware, Awning Operator, 10" Hinge, Awning Sash Bracket

Awning Scissor Operator -

E-Gard #096517 & Stainless Steel #096602



Left Operator Cover & Handle

Gold Tone - 096357

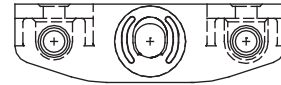
White - 096353

Champagne - 096374



Awning Sash Bracket - 096670

DRAWING Reference: H3CSE 800 006 Bracket



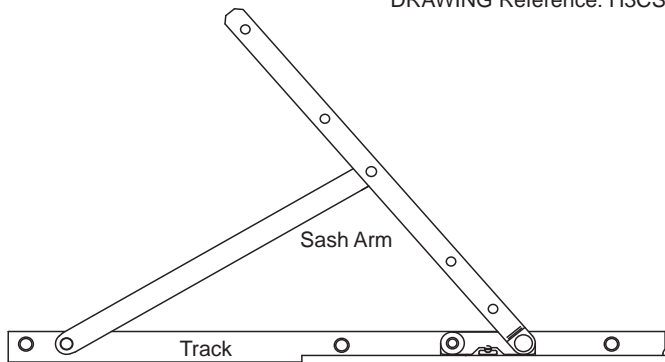
DRAWING Reference: H3CSE 800 011 Encore Operator

SASH Prep DRAWING Reference:

H3CSE 200 020 Scissors Operator Sash Prep - SEE PAGE H3CA-AW-8 IN THIS CATALOG

10" Egress Hinge (Standard) - Casement & Awning

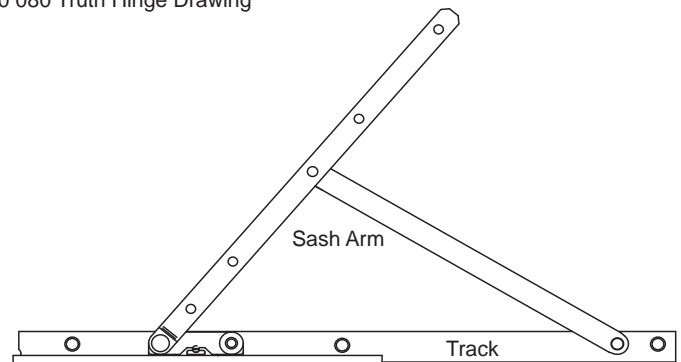
DRAWING Reference: H3CSE 800 080 Truth Hinge Drawing



10" Right Top / Left Bottom Sash Hinge Arm:

E-Gard #099319 & SS #098494

10" Left Top, Right Bottom Track: SS #098487



10" Left Top / Right Bottom Sash Hinge Arm:

E-Gard #099320 & SS #098493

10" Right Top, Left Bottom Hinge Track: SS #098488

Dual Arm Operator Track & Slide for 28 and Larger Casement Callouts

Gray - 096335

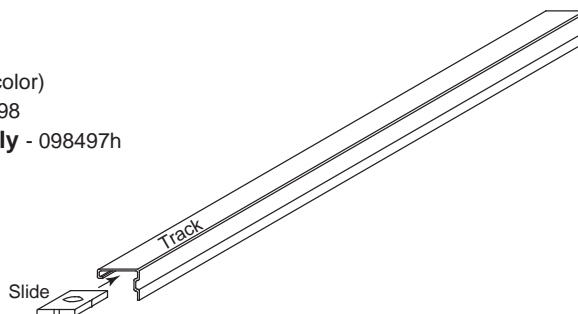
Stainless Steel - 096425

DRAWING Reference: H3CSE 800 021 Dual Arm Operator Track

Slide only - 011789 (Black color)

E-Gard, Track only - 098498

Stainless Steel, Track only - 098497h



Note: Parts drawings not to scale.



Clad Wood Casement & Awning Windows Replacement Parts



Tie Bar Assemblies

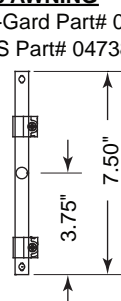
Hardware, Tie Bar and Actuator

DRAWING Reference: H3CSE 800 075 Truth Tie Bar Assemblies

Awning

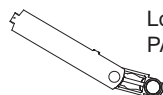
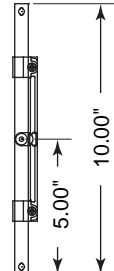
18 AWNING

E-Gard Part# 099305
SS Part# 047386



24, 28, 30, 36 AWNING

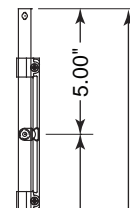
E-Gard Part# 099306
SS Part# 047387



Lock Actuator Linkage
PART #099294

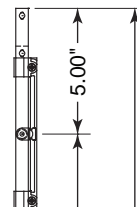
72 CASEMENT

E-Gard PART# 099313
SS Part# 047394



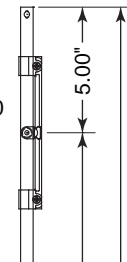
66 CASEMENT

E-Gard PART# 099312
SS Part# 047393



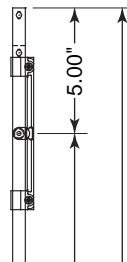
60 CASEMENT

E-Gard PART# 099311
SS Part# 047392



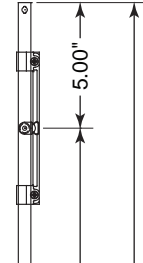
54 CASEMENT

E-Gard PART# 099310
SS Part# 047391



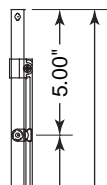
48 CASEMENT

E-Gard Part# 099309
SS Part# 047390



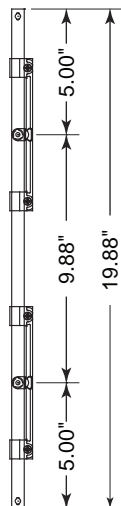
40 CASEMENT

E-Gard Part# 099308
SS Part# 047389



36 CASEMENT

E-Gard Part# 099307
SS Part# 047388



Tie Bar Assemblies Casement



Note: Parts drawings not to scale.

July/2010, Feb/2011

©2010 Hurd Windows & Doors

H3CA-AW-7

ECN 001166 03/2011, Added Stainless Steel Options

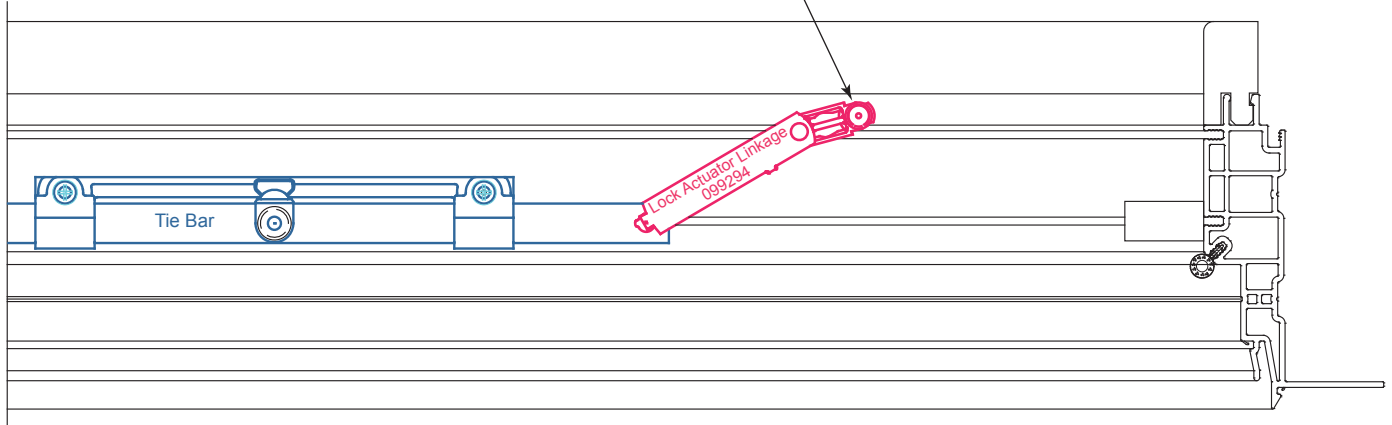


Clad Wood Casement and Awning Windows Replacement Parts

Hardware

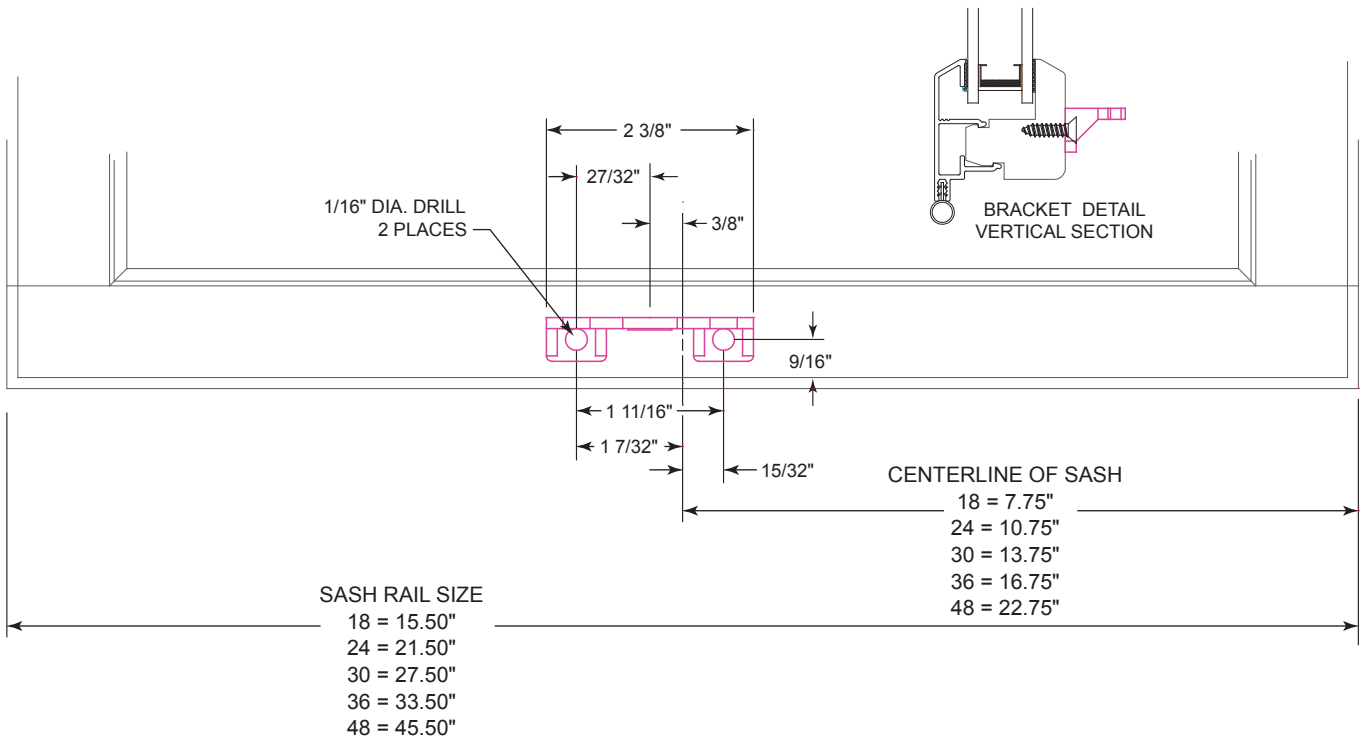
Tie Bar and Actuator Assembly

Align bottom tie bar guide with pre-drilled hole and fasten with #6 X 1" PH FL SMS. Fasten all tie bar guides as required. Hook the tie bar actuator into the bottom end of the tie bar and fasten to side jamb with #6 x 1" PH FL SM screws.



DRAWING Reference: H3CSE 250 006 Tie Bar and Actuator Installation Drawing
For prep see drawing H3CSE 250 005 Tie Bar and Actuator Prep Drawing

Scissors Operator Sash Prep - Awning



Note: Parts drawings not to scale.



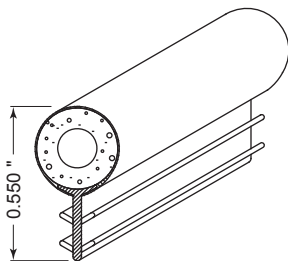
Clad Wood Casement & Awning Windows Replacement Parts



Weatherstrip

Frame Weatherstrip for Awning & Casement - Lineal Foot 098752 Sand

DRAWING Reference: H3CSE 700 050 Frame Weatherstrip



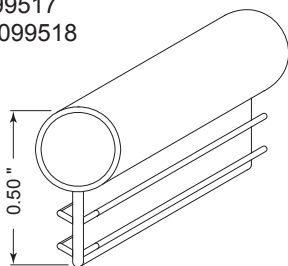
Sash Weatherstrip for Awning & Casement

DRAWING Reference: H3CSE 700 055 Sash Weatherstrip

White - 099516

Sand - 099517

Bronze - 099518



Note: Parts drawings not to scale.

July/2010



©2010 Hurd Windows & Doors

H3CA-AW-9



Clad Wood Awning Windows Replacement Parts

Glass, Awning

Awning Glass Sizes

H3 AWNING (OPERATOR AND FIXED) GLASS CHART												
Rough Opening CALLOUT (Basic Unit Frame Size = RO - 1/2" from both Width & Height)		GLASS SIZE				GLASS PART NUMBERS						
WIDTH	HEIGHT	WIDTH	HEIGHT	LOW E	LOW E CAP TUBE	LOW E GIAS WHITE	LOW E GIAS SAND	LOW E GIAS BRONZE	LOW E GIAS CAP TUBE WHITE	LOW E GIAS CAP TUBE SAND	LOW E GIAS CAP TUBE BRONZE	CONTOUR GRILLE (IF REQ'D)
18	18	13 3/4"	13 3/4"	524114	524166	524218	524270	524322	524374	524426	524478	2W2H
18	24	13 3/4"	19 3/4"	524115	524167	524219	524271	524323	524375	524427	524479	2W2H
24	18	19 3/4"	13 3/4"	524123	524175	524227	524279	524331	524383	524435	524487	2W2H
24	24	19 3/4"	19 3/4"	524124	524176	524228	524280	524332	524384	524436	524488	2W2H
30	18	25 3/4"	13 3/4"	524136	524188	524240	524292	524344	524396	524448	524500	2W2H
30	24	25 3/4"	19 3/4"	524137	524189	524241	524293	524345	524397	524449	524501	2W2H
30	28	25 3/4"	23 3/4"	524138	524190	524242	524294	524346	524398	524450	524502	2W2H
30	30	25 3/4"	25 3/4"	524139	524191	524243	524295	524347	524399	524451	524503	2W3H
30	36	25 3/4"	31 3/4"	524140	524192	524244	524296	524348	524400	524452	524504	2W3H
36	18	31 3/4"	13 3/4"	524145	524197	524249	524301	524353	524405	524457	524509	3W2H
36	24	31 3/4"	19 3/4"	524146	524198	524250	524302	524354	524406	524458	524510	3W2H
36	28	31 3/4"	23 3/4"	524147	524199	524251	524303	524355	524407	524459	524511	3W2H
36	30	31 3/4"	25 3/4"	524148	524200	524252	524304	524356	524408	524460	524512	3W3H
36	36	31 3/4"	31 3/4"	524149	524201	524253	524305	524357	524409	524461	524513	3W3H
48	24	43 3/4"	19 3/4"	524154	524206	524258	524310	524362	524414	524466	524518	4W2H
48	28	43 3/4"	23 3/4"	524155	524207	524259	524311	524363	524415	524467	524519	4W2H
48	30	43 3/4"	25 3/4"	524156	524208	524260	524312	524364	524416	524468	524520	4W3H
48	36	43 3/4"	31 3/4"	524157	524209	524261	524313	524365	524417	524469	524521	4W3H

Note: Parts drawings not to scale.



Clad Wood Casement and Awning Windows Replacement Parts



Glass, Casement

Casement Glass Sizes

H3 CASEMENT (CSE) OPERATOR AND FIXED GLASS CHART										
Rough Opening CALLOUT (Basic Unit Frame Size = RO - 1/2" from both Width & Height)		GLASS SIZE								
WIDTH	HEIGHT	GLASS SIZE		LOW E TUBE	LOW E GIAS WHITE	LOW E GIAS SAND	LOW E GIAS BRONZE	LOW E GIAS CAP TUBE WHITE	LOW E GIAS CAP TUBE SAND	LOW E GIAS CAP TUBE BRONZE
		WIDTH	HEIGHT							
18	36	13 3/4"	31 3/4"	524116	524220	524272	524324	524376	524428	524480
18	40	13 3/4"	35 3/4"	524117	524221	524273	524325	524377	524429	524481
18	48	13 3/4"	43 3/4"	524118	524222	524274	524326	524378	524430	524482
18	54	13 3/4"	49 3/4"	524119	524223	524275	524327	524379	524431	524483
18	60	13 3/4"	55 3/4"	524120	524224	524276	524328	524380	524432	524484
18	66	13 3/4"	61 3/4"	524121	524225	524277	524329	524381	524433	524485
18	72	13 3/4"	67 3/4"	524122	524226	524278	524330	524382	524434	524486
24	40	19 3/4"	35 3/4"	524125	524229	524281	524333	524385	524437	524489
24	48	19 3/4"	43 3/4"	524126	524230	524282	524334	524386	524438	524490
24	54	19 3/4"	49 3/4"	524127	524231	524283	524335	524387	524439	524491
24	60	19 3/4"	55 3/4"	524128	524232	524284	524336	524388	524440	524492
24	66	19 3/4"	61 3/4"	524129	524233	524285	524337	524389	524441	524493
24	72	19 3/4"	67 3/4"	524130	524234	524286	524338	524390	524442	524494
28	48	23 3/4"	43 3/4"	524131	524235	524287	524339	524391	524443	524495
28	54	23 3/4"	49 3/4"	524132	524236	524288	524340	524392	524444	524496
28	60	23 3/4"	55 3/4"	524133	524237	524289	524341	524393	524445	524497
28	66	23 3/4"	61 3/4"	524134	524238	524290	524342	524394	524446	524498
28	72	23 3/4"	67 3/4"	524135	524239	524291	524343	524395	524447	524499
30	54	25 3/4"	49 3/4"	524141	524193	524297	524349	524401	524453	524505
30	60	25 3/4"	55 3/4"	524142	524194	524298	524350	524402	524454	524506
30	66	25 3/4"	61 3/4"	524143	524195	524299	524351	524403	524455	524507
30	72	25 3/4"	67 3/4"	524144	524196	524300	524352	524404	524456	524508
32	36	27 3/4"	31 3/4"							
32	40	27 3/4"	35 3/4"							
32	48	27 3/4"	43 3/4"							
32	54	27 3/4"	49 3/4"							
32	60	27 3/4"	55 3/4"							
32	66	27 3/4"	61 3/4"							
32	72	27 3/4"	67 3/4"							
36	60	31 3/4"	55 3/4"	524151	524255	524307	524359	524411	524463	524515
36	66	31 3/4"	61 3/4"	524152	524256	524308	524360	524412	524464	524516
36	72	31 3/4"	67 3/4"	524153	524257	524309	524361	524413	524465	524517

H3 CASEMENT PICTURE (PIC) GLASS CHART										
Rough Opening CALLOUT (Basic Unit Frame Size = RO - 1/2" from both Width & Height)		GLASS SIZE								
WIDTH	HEIGHT	GLASS SIZE		LOW E TUBE	LOW E GIAS WHITE	LOW E GIAS SAND	LOW E GIAS BRONZE	LOW E GIAS CAP TUBE WHITE	LOW E GIAS CAP TUBE SAND	LOW E GIAS CAP TUBE BRONZE
		WIDTH	HEIGHT							
36	36	31 3/4"	31 3/4"	524149	524253	524305	524357	524409	524461	524513
36	40	31 3/4"	35 3/4"	524150	524254	524306	524358	524410	524462	524514
48	40	43 3/4"	35 3/4"	524158	524262	524314	524366	524418	524470	524522
48	48	43 3/4"	43 3/4"	524159	524263	524315	524367	524419	524471	524523
48	54	43 3/4"	49 3/4"	524160	524264	524316	524368	524420	524472	524524
48	60	43 3/4"	55 3/4"	524161	524265	524317	524369	524421	524473	524525
48	66	43 3/4"	61 3/4"	524162	524266	524318	524370	524422	524474	524526
48	72	43 3/4"	67 3/4"	524163	524267	524319	524371	524423	524475	524527
56	48	51 3/4"	43 3/4"	524164	524268	524320	524372	524424	524476	524528
56	54	51 3/4"	49 3/4"	524165	524269	524321	524373	524425	524477	524529

Note: Parts drawings not to scale.



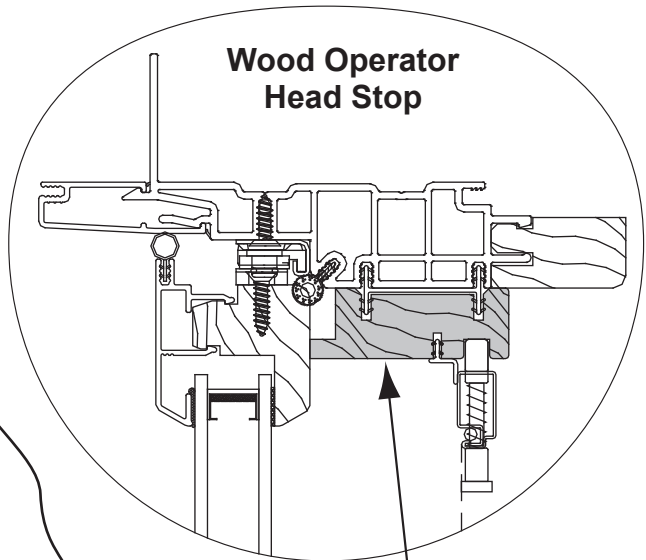
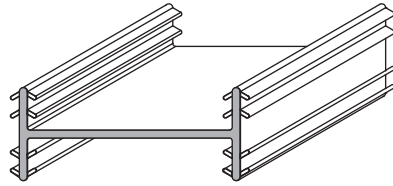


Clad Wood Casement & Awning Windows Replacement Parts

Wood Parts, Operating Units

Operating Frame Head Stop Clip

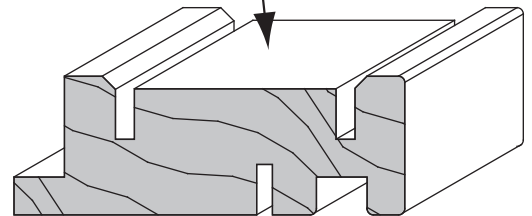
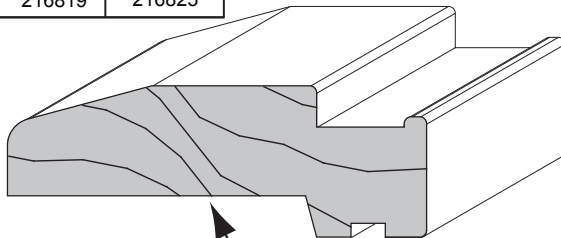
3" Part# 099323
See Page 16 for
Clip Qty's and Location
DRAWING Reference:
H3CSE 700 015



Wood Operator Head Stop

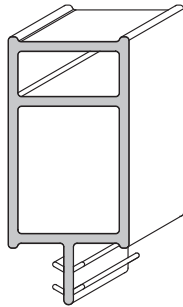
Wood Operator Cover, Upper

CALLOUT	GLASS	FINISHED PART #	
		PINE P/N	WHITE P/N
18	13.75"	216814	216820
24	19.75"	216815	216821
28	23.75"	216816	216822
30	25.75"	216817	216823
36	31.75"	216818	216824
48	43.75"	216819	216825



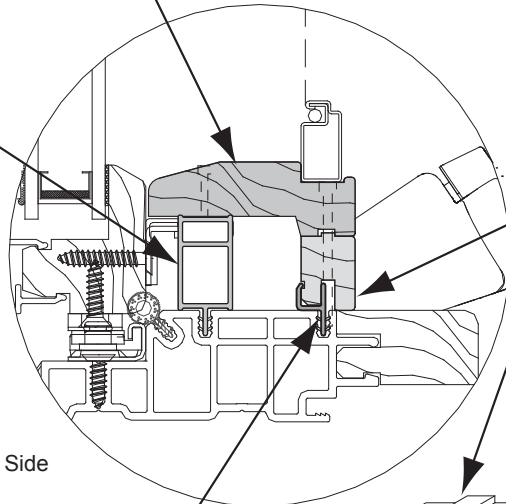
DRAWING Reference: H3CSE 30 025

CALLOUT	GLASS	FINISHED PART #	
		PINE P/N	WHITE P/N
18	13.75"	216826	216832
24	19.75"	216827	216833
28	23.75"	216828	216834
30	25.75"	216829	216835
36	31.75"	216830	216836
48	43.75"	216831	216837



Sill Cover Support Block

1" Part #099321,
CA Lock Side & Awning
1/2" Part #099704 CA Hinge Side
DRAWING Reference:
H3CSE 700 035 Sill Cover Support Block



Wood Operator Cover, Lower

For Casements, please order
qty (1) Lock Side & qty (1) Hinge Side
one for each side of the handle cover
H3CSE 300 010 Op Lower Section drw ref

CASEMENT LOCK SIDE = GLASS -11.125"

CALLOUT	GLASS	LENGTH	FINISHED PART #	
			PINE P/N	WHITE P/N
18	13.75"	2.625"		
24	19.75"	8.625"	216806	216811
28	23.75"	12.625"	216796	216801
30	25.75"	14.625"	216797	216802
36	31.75"	20.625"	216798	216803

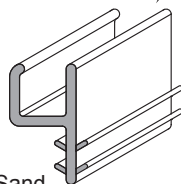
CASEMENT HINGE SIDE

Pine Part # 216792
Prime Part# 216793

LENGTH
6.50"

AWNING = GLASS - 4 5/16" / 2

CALLOUT	GLASS	LENGTH	FINISHED PART #	
			PINE P/N	WHITE P/N
18	13.75"	4.71875"	216804	216809
24	19.75"	7.71875"	216805	216810
30	23.75"	10.71875"	216806	216811
36	25.75"	13.71875"	216807	216812
48	31.75"	19.71875"	216808	216813



Vinyl Clip, Lower Section

2" Part #099322 Beige/Sand
DRAWING Reference:
H3CSE 700 010 Lower Section Vinyl Clip

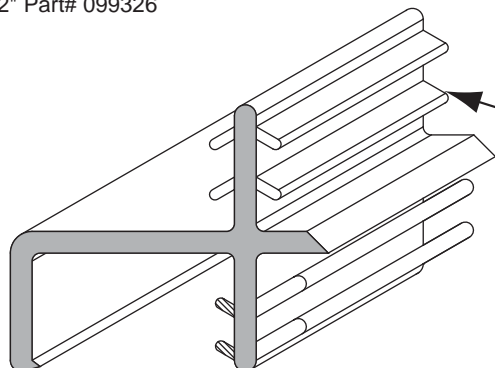


Clad Wood Casement & Awning Windows Replacement Parts



Wood Operator Side Stop Clip

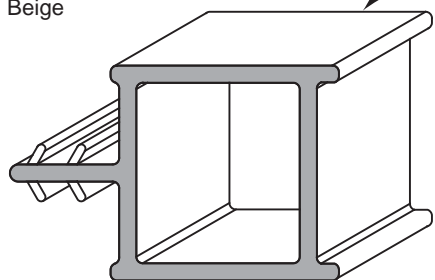
2" Part# 099326



Vinyl Side Stop Clip

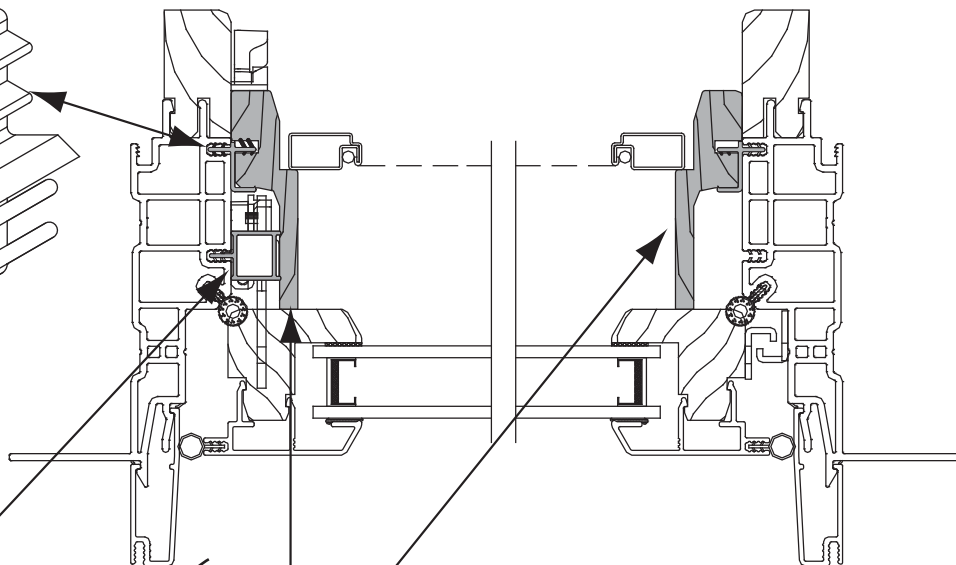
1" Part# 099327

Beige



DRAWING Reference: H3CSE 700 030 Side Stop Support Block

Wood, Operating Units



Wood Operator Cover, Side

DRAWING Reference: H3CSE 300 031 Lock Side Stop
H3CSE 300 030 Op Side Stop

CASEMENT
SIDE STOPS= GLASS + 1 11/16"

CALL OUT	GLASS	LENGTH	FINISHED PART #	
			PINE P/N	WHITE P/N
18	13.75"	15.4375"	216838	216849
24	19.75"	21.4375"	216839	216850
28	23.75"	25.4375"	216840	216851
30	25.75"	27.4375"	216841	216852
36	31.75"	33.4375"	216842	216853
40	35.75"	37.4375"	216843	216854
48	43.75"	45.4375"	216844	216855
54	49.75"	51.4375"	216845	216856
60	55.75"	57.4375"	216846	216857
66	61.75"	63.4375"	216847	216858
72	67.75"	69.4375"	216848	216859

AWNING
LEFT LOCK SIDE STOP= GLASS + 1 11/16"

CALL OUT	GLASS	LENGTH	FINISHED PART #	
			PINE P/N	WHITE P/N
18	13.75"	15.4375"	216882	216893
24	19.75"	21.4375"	216883	216894
28	23.75"	25.4375"	216884	216895
30	25.75"	27.4375"	216885	216896
36	31.75"	33.4375"	216886	216897
40	35.75"	37.4375"	216887	216898
48	43.75"	45.4375"	216888	216899
54	49.75"	51.4375"	216889	216900
60	55.75"	57.4375"	216890	216901
66	61.75"	63.4375"	216891	216902
72	67.75"	69.4375"	216892	216903

AWNING
RIGHT LOCK SIDE STOP= GLASS + 1 11/16"

CALL OUT	GLASS	LENGTH	FINISHED PART #	
			PINE P/N	WHITE P/N
18	13.75"	15.4375"	216860	216871
24	19.75"	21.4375"	216861	216872
28	23.75"	25.4375"	216862	216873
30	25.75"	27.4375"	216863	216874
36	31.75"	33.4375"	216864	216875
40	35.75"	37.4375"	216865	216876
48	43.75"	45.4375"	216866	216877
54	49.75"	51.4375"	216867	216878
60	55.75"	57.4375"	216868	216879
66	61.75"	63.4375"	216869	216880
72	67.75"	69.4375"	216870	216881

Note: Parts drawings not to scale.



July/2010 Sept/2011

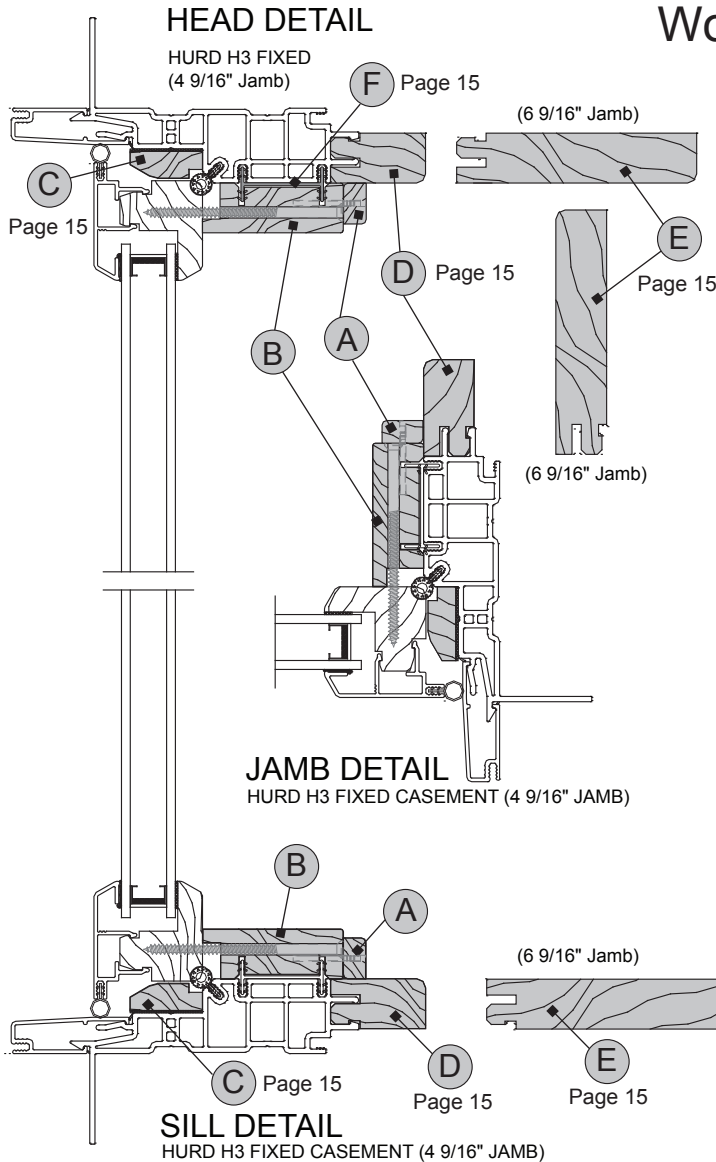
©2010 Hurd Windows & Doors

H3CA-AW-13



Clad Wood Casement & Awning Windows Replacement Parts

Wood & Misc Parts, Fixed Window



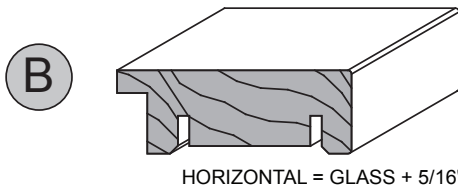
Wood Stop Cover for Fixed & Stationary Units. Head, Jamb, Sill

DRAWING Reference: H3CSE 30 045
HORIZONTAL = GLASS + 9/16"

CALL OUT	GLASS	LENGTH	FINISHED PART #	
			PINE P/N	WHITE P/N
18	13.75"	14.3125"	216720	216727
24	19.75"	20.3125"	216721	216728
28	23.75"	24.3125"	216722	216729
30	25.75"	26.3125"	216723	216730
36	31.75"	32.3125"	216724	216731
48	43.75"	44.3125"	216725	216732
56	51.75"	52.3125"	216726	216733
60	55.75"	56.3125"		

VERTICAL = GLASS + 1 11/16"

CALL OUT	GLASS	LENGTH	FINISHED PART #	
			PINE P/N	WHITE P/N
18	13.75"	15.4375"	216734	216745
24	19.75"	21.4375"	216735	216746
28	23.75"	25.4375"	216736	216747
30	25.75"	27.4375"	216737	216748
36	31.75"	33.4375"	216738	216749
40	35.75"	37.4375"	216739	216750
48	43.75"	45.4375"	216740	216751
54	49.75"	51.4375"	216741	216752
60	55.75"	57.4375"	216742	216753
66	61.75"	63.4375"	216743	216754
72	67.75"	69.4375"	216744	216755



Wood Stop for Fixed & Stationary Units. Head, Jamb, Sill

DRAWING Reference: H3CSE 30 035

VERTICAL = GLASS + 1 11/16"

CALL OUT	GLASS	LENGTH	QTY OF HOLES	FINISHED PART #	
				PINE P/N	WHITE P/N
18	13.75"	14.0625"	1	216904	216911
24	19.75"	20.0625"	2	216905	216912
28	23.75"	24.0625"	2	216906	216913
30	25.75"	26.0625"	2	216907	216914
36	31.75"	32.0625"	3	216908	216915
48	43.75"	44.0625"	4	216909	216916
56	51.75"	52.0625"	4	216910	216917
60	55.75"	56.0625"	4		

CALL OUT	GLASS	LENGTH	QTY OF HOLES	FINISHED PART #	
				PINE P/N	WHITE P/N
18	13.75"	15.4375"	1	216918	216929
24	19.75"	21.4375"	2	216919	216930
28	23.75"	25.4375"	2	216920	216931
30	25.75"	27.4375"	2	216921	216932
36	31.75"	33.4375"	3	216922	216933
40	35.75"	37.4375"	3	216923	216934
48	43.75"	45.4375"	4	216924	216935
54	49.75"	51.4375"	4	216925	216936
60	55.75"	57.4375"	5	216926	216937
66	61.75"	63.4375"	5	216927	216938
72	67.75"	69.4375"	6	216928	216939

Note: Parts drawings not to scale.



Clad Wood Casement & Awning Windows Replacement Parts

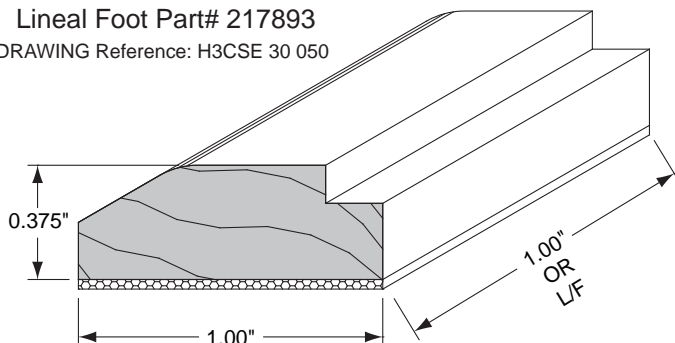


C Stationary Block

Part # 201139 1" x 1"

Lineal Foot Part# 217893

DRAWING Reference: H3CSE 30 050



E Frame Extender 6 9/16"



HORIZONTAL = GLASS + 3 1/16"

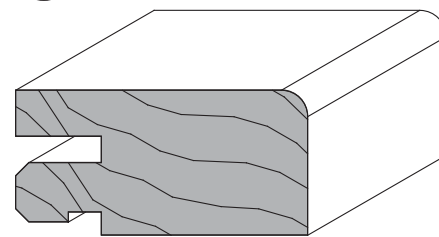
VERTICAL = GLASS + 1 11/16"

CALL OUT	GLASS	LENGTH	PART # PINE P/N	PART # WHITE P/N
18	13.75"	16.8125"	217432	217451
24	19.75"	22.8125"	217433	217452
28	23.75"	26.8125"	217434	217453
30	25.75"	28.8125"	217435	217454
36	31.75"	34.8125"	217436	217455
48	43.75"	46.8125"	217437	217456
56	51.75"	54.8125"	217438	217457
60	55.75"	58.8125"	219095	219096

CALL OUT	GLASS	LENGTH	PART # PINE P/N	PART # WHITE P/N
18	13.75"	15.4375"	217439	217458
24	19.75"	21.4375"	217440	217459
28	23.75"	25.4375"	217441	217460
30	25.75"	27.4375"	217442	217461
36	31.75"	33.4375"	217443	217462
40	35.75"	37.4375"	217444	217463
48	43.75"	45.4375"	217445	217464
54	49.75"	51.4375"	217446	217465
60	55.75"	57.4375"	217447	217466
66	61.75"	63.4375"	217448	217467
72	67.75"	69.4375"	217449	217468

Wood Parts

D Frame Extender 4 9/16"



HORIZONTAL = GLASS + 5/16"

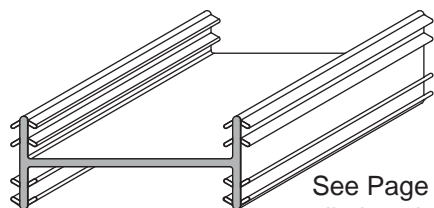
CALL OUT	GLASS	LENGTH	FINISHED PART #	
			PINE P/N	WHITE P/N
18	13.75"	14.0625"	216756	216763
24	19.75"	20.0625"	216757	216764
28	23.75"	24.0625"	216758	216765
30	25.75"	26.0625"	216759	216766
36	31.75"	32.0625"	216760	216767
48	43.75"	44.0625"	216761	216768
56	51.75"	52.0625"	216762	216769
60	55.75"	56.0625"	219093	219094

VERTICAL = GLASS + 1 11/16"

CALL OUT	GLASS	LENGTH	FINISHED PART #	
			PINE P/N	WHITE P/N
18	13.75"	15.4375"	216770	216781
24	19.75"	21.4375"	216771	216782
28	23.75"	25.4375"	216772	216783
30	25.75"	27.4375"	216773	216784
36	31.75"	33.4375"	216774	216785
40	35.75"	37.4375"	216775	216786
48	43.75"	45.4375"	216776	216787
54	49.75"	51.4375"	216777	216788
60	55.75"	57.4375"	216778	216789
66	61.75"	63.4375"	216779	216790
72	67.75"	69.4375"	216780	216791

F Stationary Frame Stop Clip, (clip is needed on all 4 sides)

3" Part# 099323



See Page 16 for clip locations

CALLOUT	GLASS	DIM A	DIM B	# OF CLIPS EACH SIDE	BETWEEN
18	13.75"	14.4375"	14.0625"	2	7.6875"
24	19.75"	20.4375"	20.0625"	3	5.34375"
28	23.75"	24.4375"	24.0625"	3	7.34375"
30	25.75"	26.4375"	26.0625"	3	8.34375"
36	31.75"	32.4375"	32.0625"	3	11.34375"
48	43.75"	44.4375"	44.0625"	4	10.5625"

Note: Parts drawings not to scale.



July, Oct/2010

©2010 Hurd Windows & Doors

H3CA-AW-15

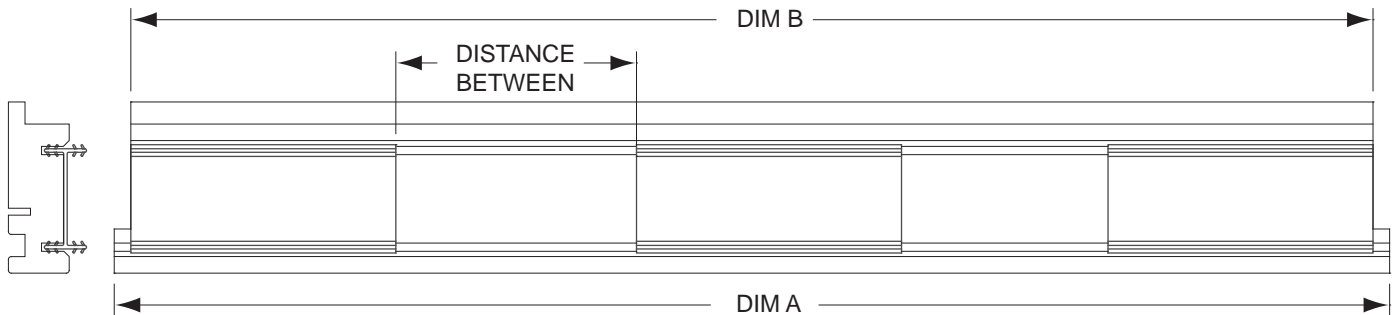
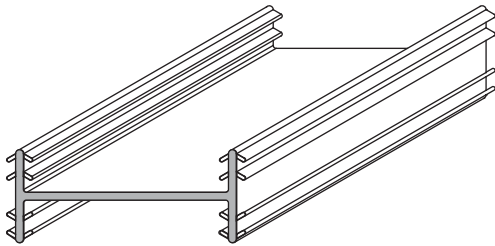


Clad Wood Casement & Awning Windows Replacement Parts

F **Stationary Frame Stop Clip**
Clip needed for all 4 sides
 3" Part# 099323

- From Page 12:
Operating Frame Stop Clip
Clip needed at Head only
 3" Part# 099323

CALLOUT	GLASS	DIM A	DIM B	# OF CLIPS EACH SIDE	BETWEEN
18	13.75"	14.4375"	14.0625"	2	7.6875"
24	19.75"	20.4375"	20.0625"	3	5.34375"
28	23.75"	24.4375"	24.0625"	3	7.34375"
30	25.75"	26.4375"	26.0625"	3	8.34375"
36	31.75"	32.4375"	32.0625"	3	11.34375"
48	43.75"	44.4375"	44.0625"	4	10.5625"



Clad Wood Casement & Awning Windows Replacement Parts



Color Scheme

Color of Joint Sealant to be used with Hurd Standard Colors

JOINT SEALANT COLOR		
<u>BRONZE</u>	<u>SAND</u>	<u>WHITE</u>
STANDARD CLADDING COLORS		
Bronze Green Brick Red Jet Black	Sand	Eggshell White

Color of Joint Sealant to be used with Special Pallet Colors

JOINT SEALANT COLOR		
<u>BRONZE</u>	<u>SAND</u>	<u>WHITE</u>
	Clad Metal Color	
Dark Bronze Anodize Medium Bronze Anodize Aspen Moss (was Clay) Sage Brown Natural Brown River Rouge Red Boysenberry Quaker Bronze Charcoal Gray Copper Wire - Mica Gray Velvet - Mica	Champagne Anodize Light Bronze Anodize Colonial White Burnt Sun Dijon Dried Wheat Sandstone Light Sea Wolf Beige Slate Gray Desert Rose Patina Green Legacy Blue Military Blue Yorktown Silver - Mica Champagne Bronze - Mica Champagne Rose - Mica	Clear Anodize Bone White

Note: Parts drawings not to scale.

July/2010



©2010 Hurd Windows & Doors

H3CA-AW-17