



***Energy Saver Clad Wood***

***Inswing & French Inswing Patio Door  
Parts Pages  
for:***

***Hardware***

---

### Hardware

**1 Manual Shoot Bolt Locking System**

**Top Rod Extension**

Retro Stainless Steel 011407  
6-10 Stainless Steel 011405  
7-2 Stainless Steel 011406  
8-0 Stainless Steel 011404

**Rod Guide**

Part# 095937  
Stainless Steel

**Mortise Door Lock**

Stainless Steel  
Part# 021693

**Bottom Rod Extension**

46.6" Part# 011402  
Stainless Steel

**Rod Guide**

Part# 095937  
Stainless Steel

Note: Parts drawings not to scale.

# Inswing & French Inswing Patio Door

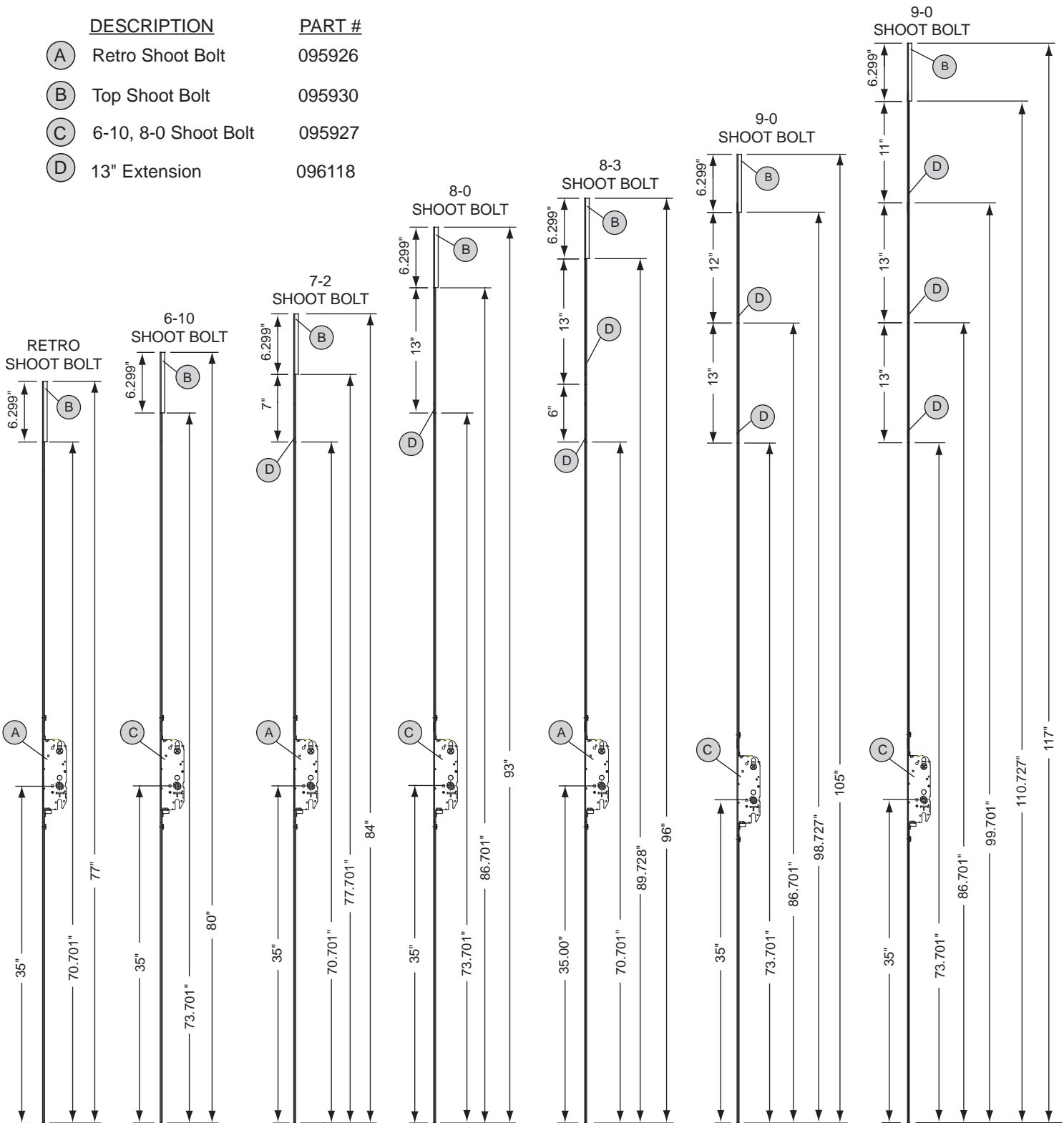
Energy Saver Aluminum Clad Wood Replacement Parts



## Hardware

### 2 Single Point Locking Hardware Gear, Semi-Active Panel Handle Activated Shoot Bolt System

	DESCRIPTION	PART #
(A)	Retro Shoot Bolt	095926
(B)	Top Shoot Bolt	095930
(C)	6-10, 8-0 Shoot Bolt	095927
(D)	13" Extension	096118



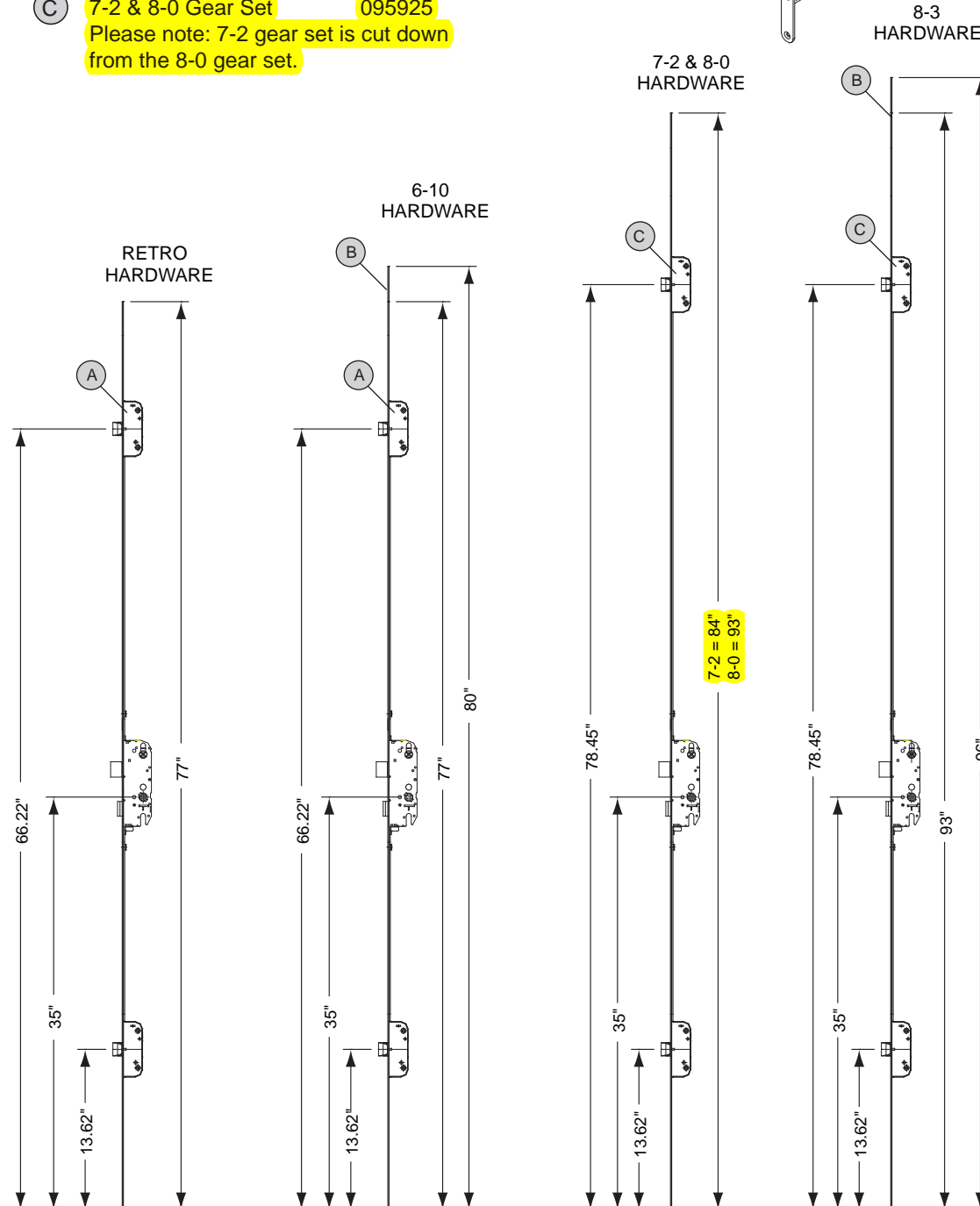
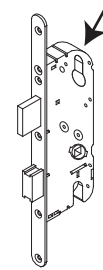
Note: Parts drawings not to scale.

Hardware

3 Multi-Point (3 Point) Active Panel Locking System

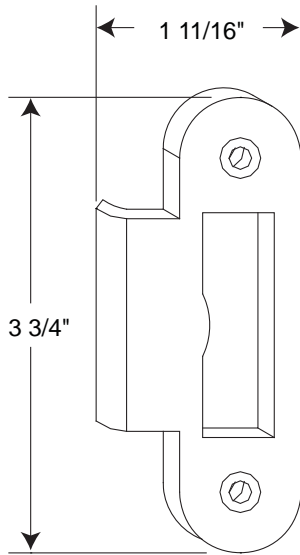
	DESCRIPTION	PART #
(A)	RETRO & 6-10 Gear Set	095922
(B)	3" Filler Plate	096116
(C)	7-2 & 8-0 Gear Set	095925
	Please note: 7-2 gear set is cut down from the 8-0 gear set.	

Single Point Gear Box 096140



Note: Parts drawings not to scale.

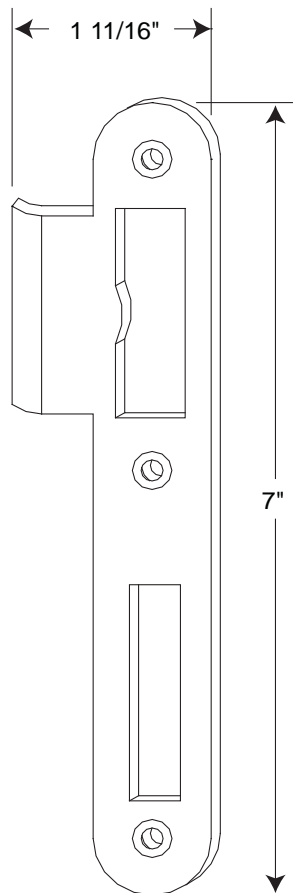
4 Multi-Point Strike



Color	Part No.
Stainless Steel (Standard)	095945

Stainless Steel Screw  
Part No. 090729 (#7 x 5/8")

5 Latch and Dead Bolt Strike



Color	Right Part No.	Left Part No.
Stainless Steel (Standard)	096157	095938

Stainless Steel Screw  
Part No. 090729 (#7 x 5/8")

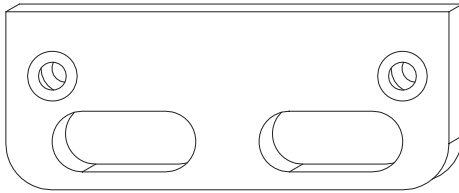
Note: Parts drawings not to scale.

**Hardware**

**6 Head Strike Plate, Semi Active**

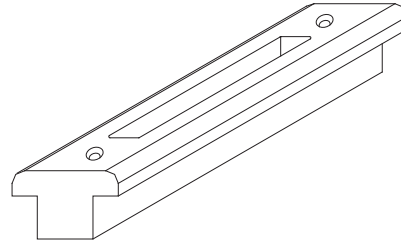
Color Part No.

Stainless Steel	096119
-----------------	--------



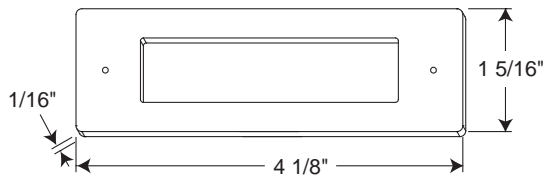
**7 Sill Strike Part No. 076827**

Required on Dual Swing Panels only  
Fastened with #6 x 3/4" Screws Qty 2 Part No. 014798

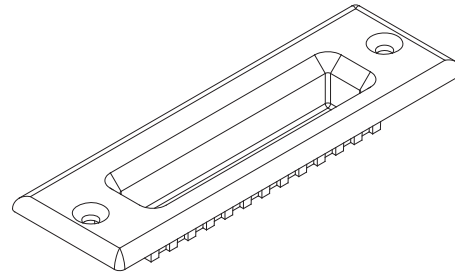


**8 Sill Strike Gasket Part No. 076942**

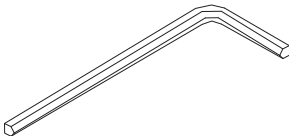
Black



**9 ADA Sill Strike Part No. 094598**



**10 3/32" Hex Allen Wrench Part No. 096773**

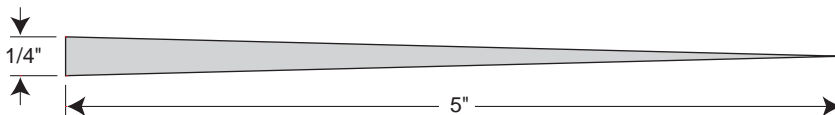


**11 #9 x 3" Huinge Installation Screw**

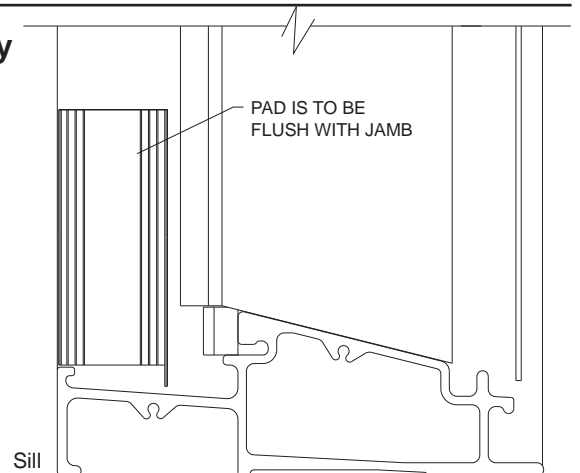
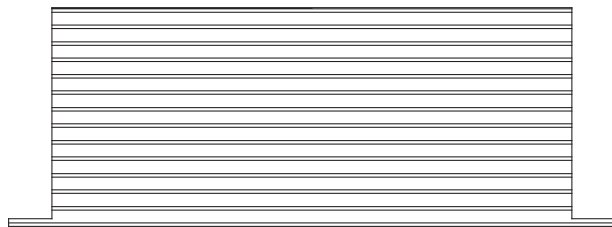


Color	Part No.
Bright Brass	096753
Antique Brass & Oil rubbed	096754
White	096755
Brushed and Polished Chrome	096756

**12 Oak Shims 1/4" x 5" Part No. 018933, Specify Qty**

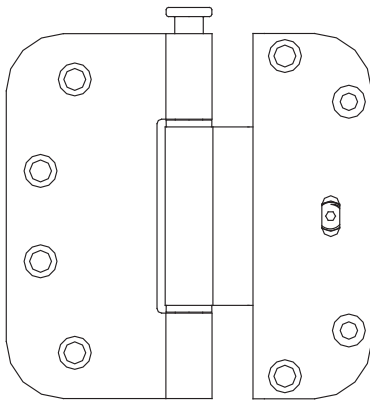


**13 Dual Door Sill Seal Part No. 018933, Specify Qty**

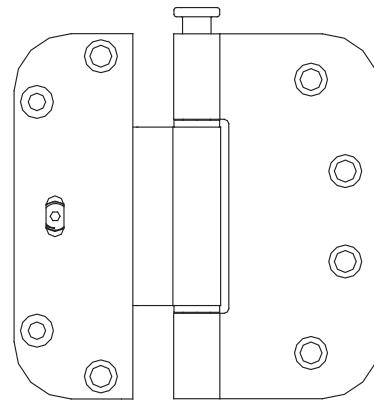


Hardware

14 4" x 4" Horizontal Adjusting Hinge

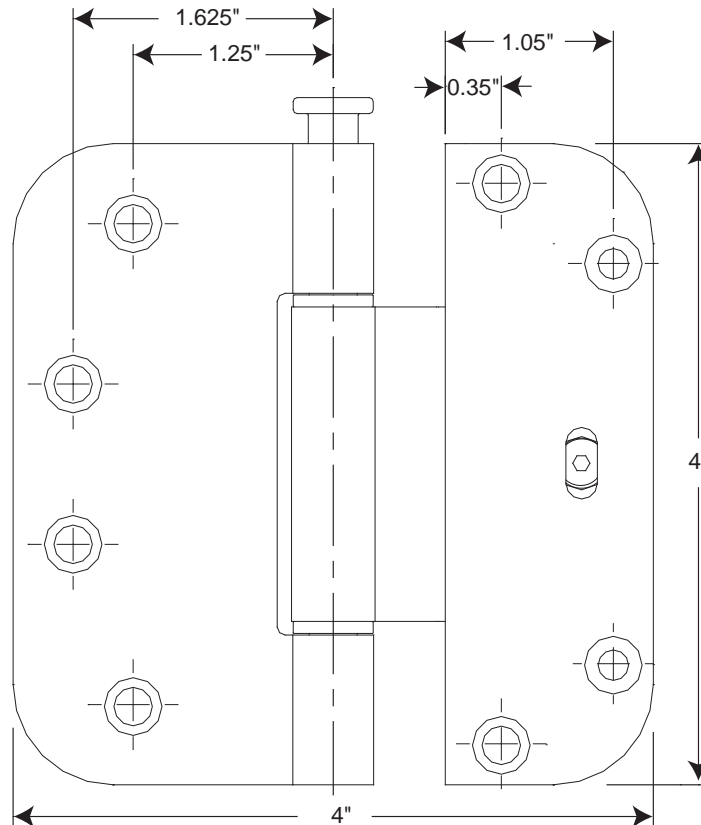
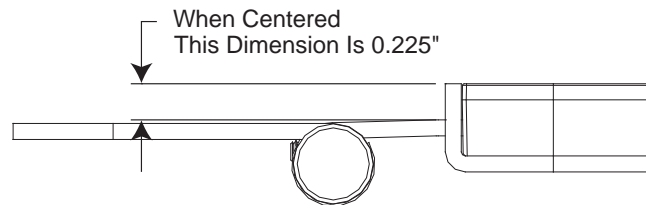
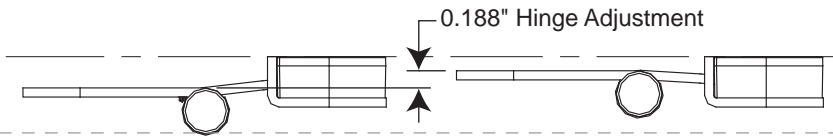


Left Hand Hinge Assembly



Right Hand Hinge Assembly

Color	Part No.
White	096692
Bright Brass	096688
Antique Brass	096684
Oil Rubbed Bronze (Plated)	096690
Oil Rubbed Bronze (FB)	099833
Champagne (Standard)	017427
Brushed Chrome	096686
Polished Chrome	096694

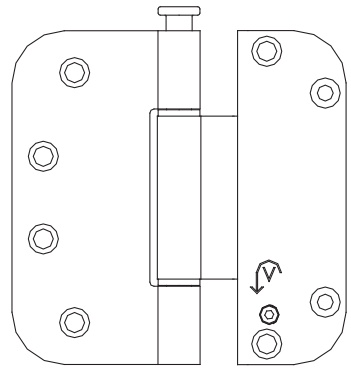
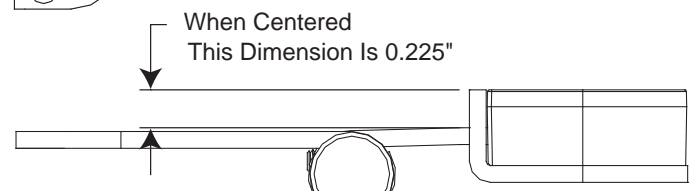
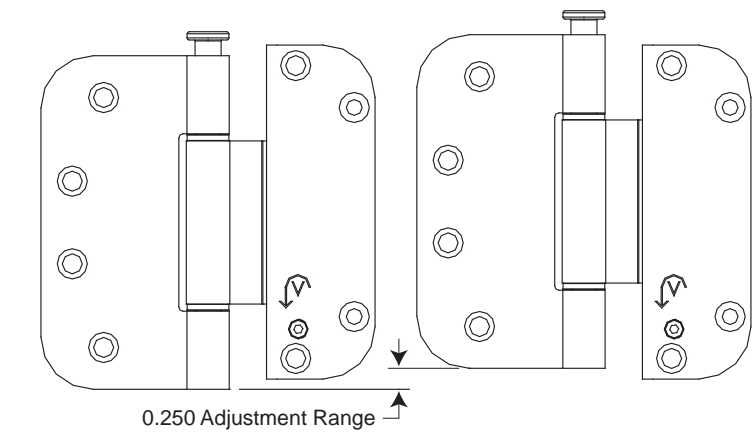
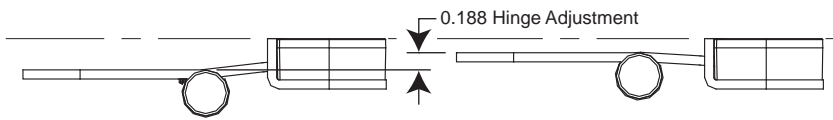


Note: Parts drawings not to scale.

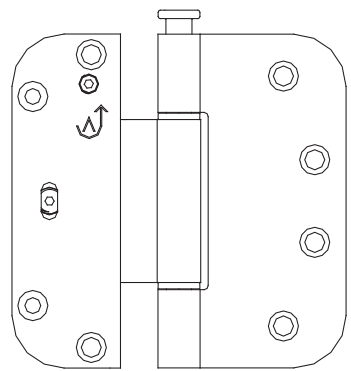
**Hardware**

**15 4" x 4" Vertical Adjusting Hinge**

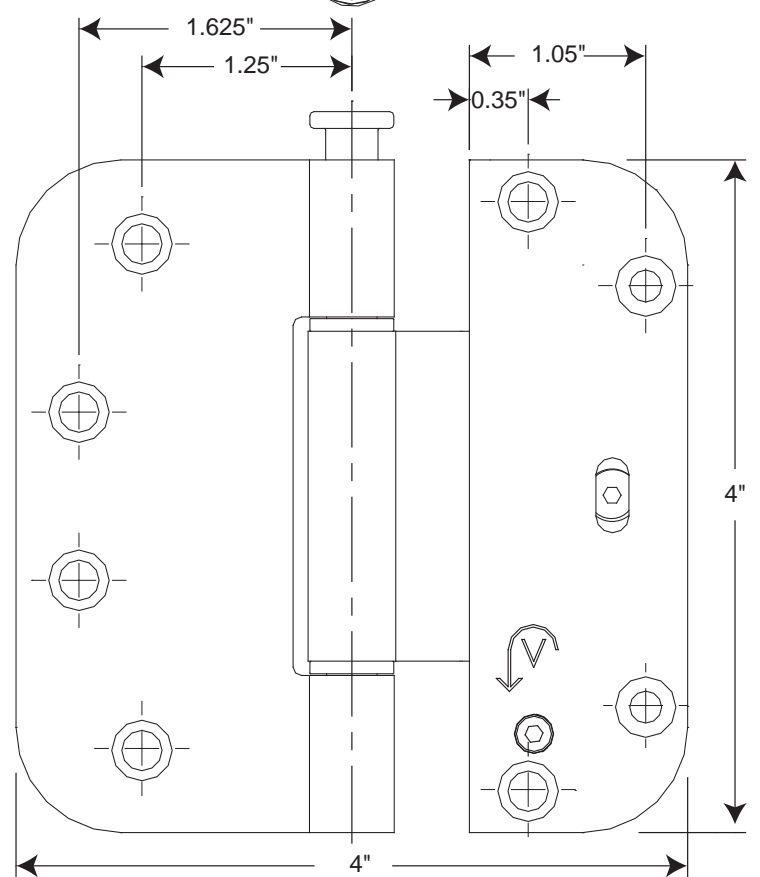
Color	Part No.
White	096693
Bright Brass	096689
Antique Brass	096685
Oil Rubbed Bronze (Plated)	096691
Oil Rubbed Bronze (FB)	099834
Champagne (Standard)	017428
Brushed Chrome	096687
Polished Chrome	096695



Left Hand Hinge Assembly

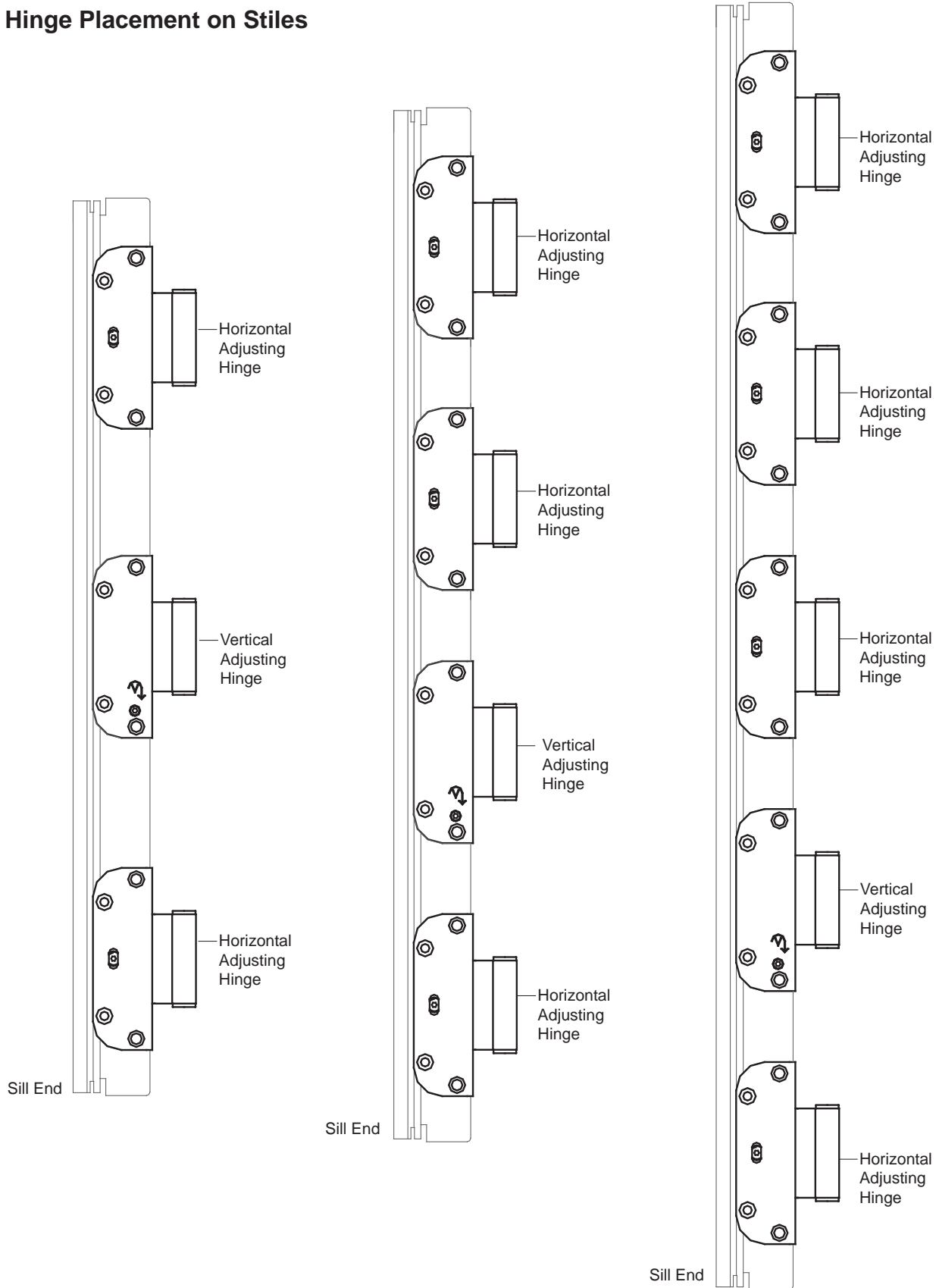


Right Hand Hinge Assembly



Note: Parts drawings not to scale.

Hinge Placement on Stiles

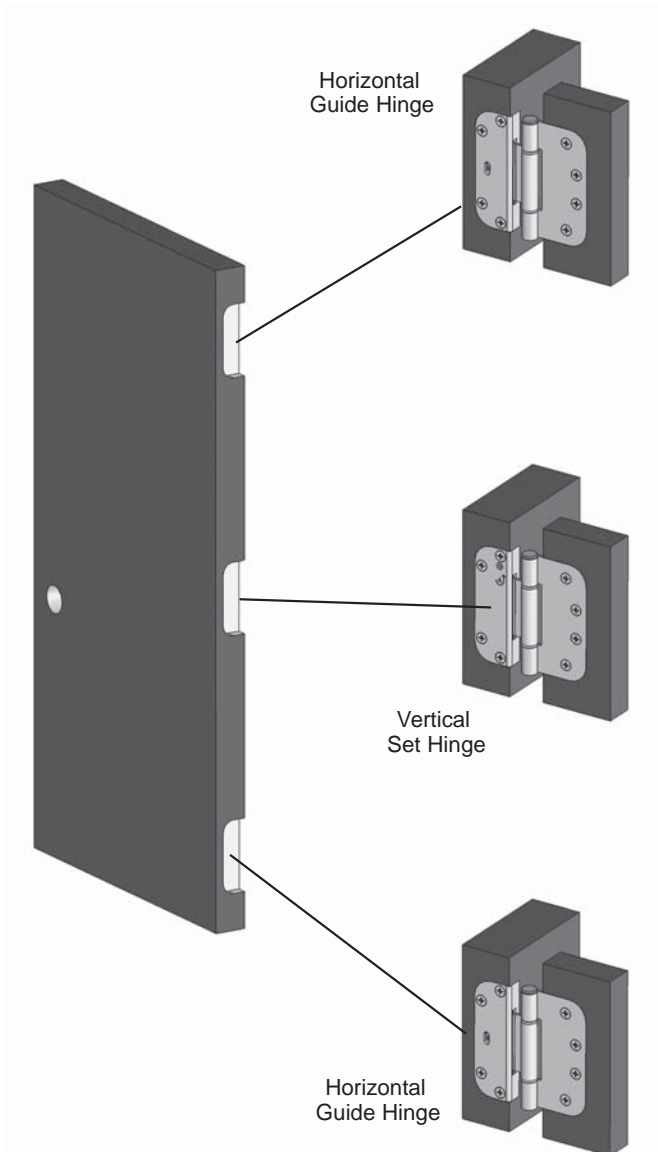


Note: Parts drawings not to scale.

4" ADJUSTABLE DOOR HINGE

Hinge Adjustment Instructions

FIGURE 1. Hinge Adjustment - Horizontal and Vertical



**NOTE: NEVER USE A POWERED SCREW DRIVER TO MAKE ADJUSTMENTS, ADJUST BY HAND ONLY.**

**HORIZONTAL AND VERTICAL HINGE ADJUSTMENT**

The door is set up with two (2) horizontally (guide) adjustable hinges, and one (1) vertically (set) adjustable hinge per panel. The horizontal hinges are located in the top and bottom positions, and the vertical hinge is located in the middle position.

Adjustments are made with a 3/32" hex wrench. Never use a powered screw driver to make adjustments. Adjust by hand only.

**VERTICAL ADJUSTMENT**

To lift and lower the door

Vertical adjustment allows up to 1/4" total movement. Each rotation of the screw represents approximately a .008" travel for fine tune adjustment.

Step 1: Open door panel to access hinge adjustment screw.

Step 2: Loosen the adjustment screws on the top and bottom horizontal adjusting hinges to allow for easier vertical adjustment.

Step 3: Turn the hex drive in the middle (vertically adjusting) hinge either clockwise or counter-clockwise to raise or lower the door. The vertical hinge is marked with an arrow to indicate which direction the door will move when the hex drive is turned.

Step 4: Raise or lower panel accordingly to center the door panel in the opening.

**HORIZONTAL ADJUSTMENT**

To move the door closer to or away from the hinge side jamb

Horizontal adjustment allows up to 3/16" total movement, three (3) turns of screw.

Step 1: Open door panel to access hinge adjustment screw.

Step 2: Adjust top and/or bottom hinge hex screw to align reveal between door frame and panel.

Step 3: Counterclockwise will increase reveal, clockwise will decrease reveal. Gap should be equal along entire length between frame and panel.

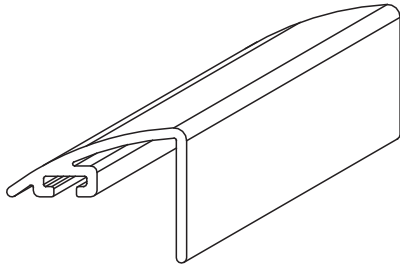
# Inswing & French Inswing Patio Door Replacement Parts

Energy Saver Aluminum Clad Wood



## Hardware

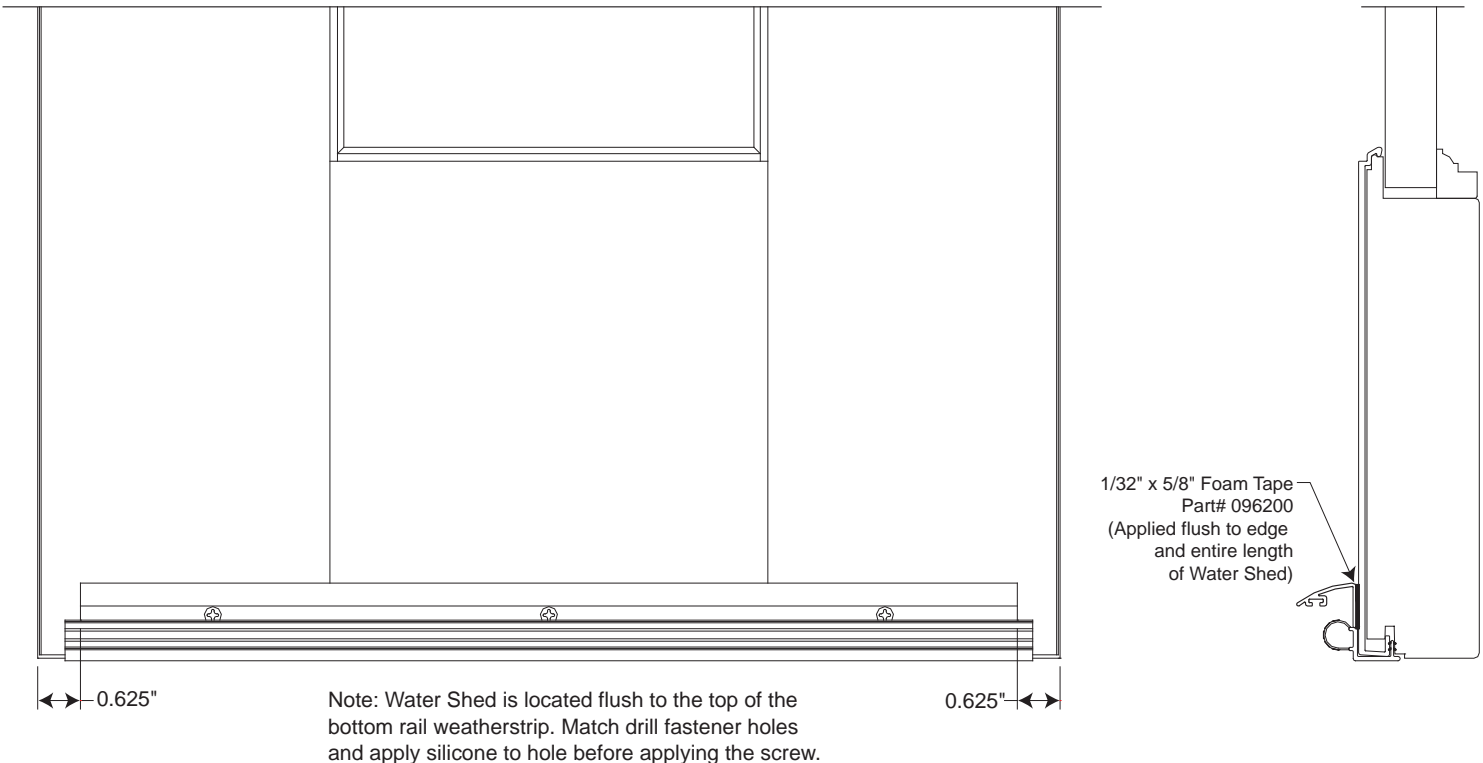
### 16 Water Shed Cladding



Size	Length	Color
1-0	9 3/8"	White
1-2	11 3/8"	Bronze
1-4	13 3/8"	Sand
1-6	15 3/8"	Green
1-8	17 3/8"	Eggshell
2-0	20 5/8"	Brick Red
2-6	26 5/8"	Jet Black
2-8	28 5/8"	
3-0	32 5/8"	
3-2	34 5/8"	

Size	Part#						
	White	Bronze	Sand	Green	Eggshell	Brick Red	Jet Black
2-0	095805	095811	095817	095823	095829	095835	095841
2-6	095806	095812	095818	095824	095830	095836	095842
2-8	095807	095813	095819	095825	095831	095837	095843
3-0	095808	095814	095820	095826	095832	095838	095844
3-2	095809	095815	095821	095827	095833	095839	095845

### Water Shed Application



Note: Parts drawings not to scale.