

*Hurd*<sup>TM</sup>

*Energy Saver Clad Wood*

*Outswing & French Outswing Patio Door  
Parts Pages  
for:*

*Miscellaneous*

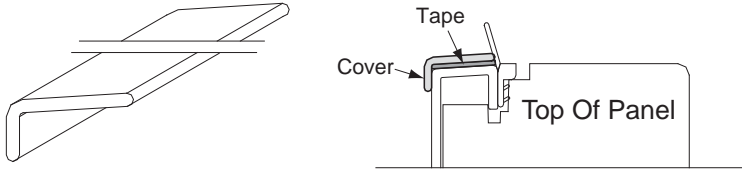
---

**Hardware**

**1 Exterior Panel Cladding Cover**

Located at the top of the Active, Semi-Active & Stationary Panels  
Applied with High Performance Tape Part No. 098529

Color	Lineal Part No.
White	098081
Bronze	098082
Sand	098083
Green	098084
Egg Shell	098085
Brick Red	098086
Jet Black	098087



**Active & Stationary Panel**

Size	Length
1-0	10 1/2"
1-2	12 1/2"
1-4	14 1/2"
1-6	16 1/2"
1-8	18 1/2"
2-0	21 3/4"
2-6	27 3/4"
2-8	29 3/4"
3-0	33 3/4"
3-2	35 3/4"

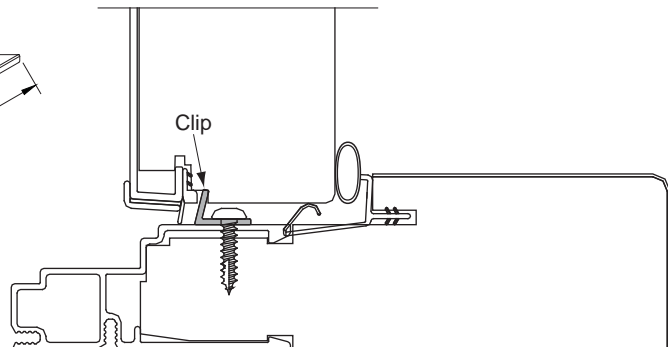
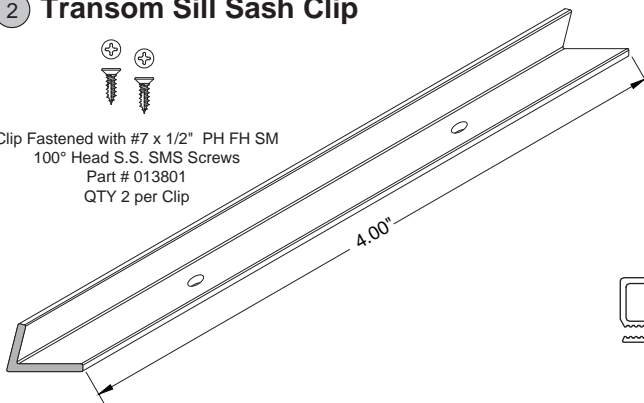
**Semi-Active Panel**

Size	Length
1-0	11 7/16"
1-2	13 7/16"
1-4	15 7/16"
1-6	17 7/16"
1-8	19 7/16"
2-0	22 11/16"
2-6	28 11/16"
2-8	30 11/16"
3-0	34 11/16"
3-2	36 11/16"

**2 Transom Sill Sash Clip**



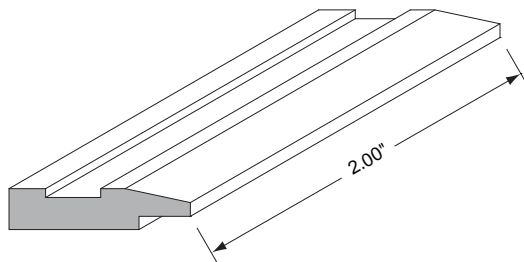
Clip Fastened with #7 x 1/2" PH FH SM  
100° Head S.S. SMS Screws  
Part # 013801  
QTY 2 per Clip



Transom Panel, Sill

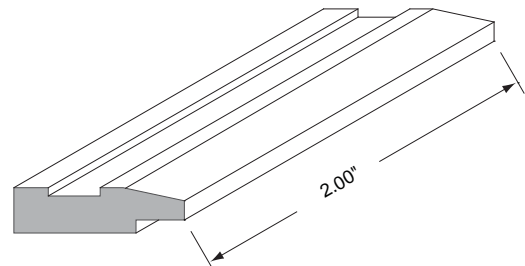
**3 Fixed, Stationary & Transom Panel Top Rail Shim**

Part No. 035977



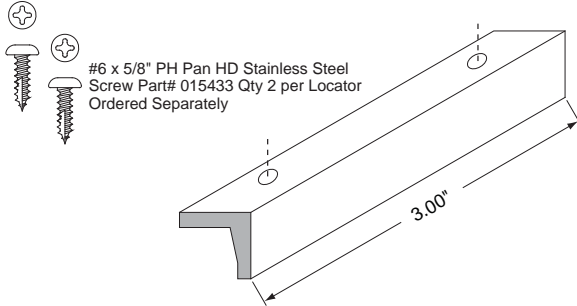
**4 Fixed, Stationary & Transom Panel Stile Shim**

Part No. 010540

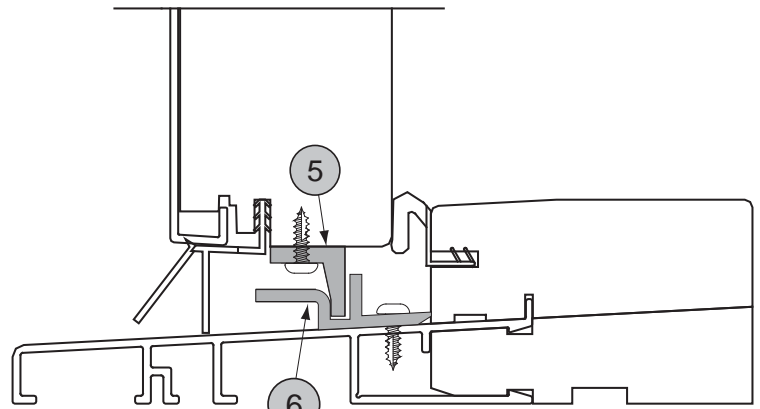
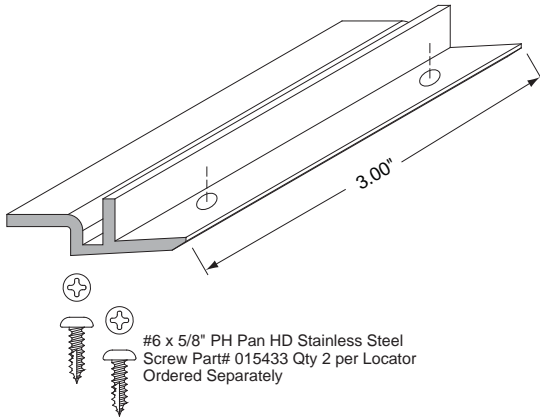


Note: Parts drawings not to scale.

5 **Fixed Panel Locator Clip, Part No. 035990**  
Located at the **BOTTOM** of the fixed panel

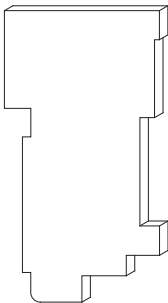


6 **Fixed Panel Locator Clip, Part No. 035991**  
Located at the **SILL** of the fixed panel



Sidelite / Fixed Panel, Sill

7 **Transom Astragal Gasket**



Color	Part No.
White	090755
Sand	090756
Black	090757

Note: Parts drawings not to scale.