

*Hurd*<sup>TM</sup>

*Energy Saver Clad Wood*

*Sliding & French Sliding Patio Door*

*Parts Pages*

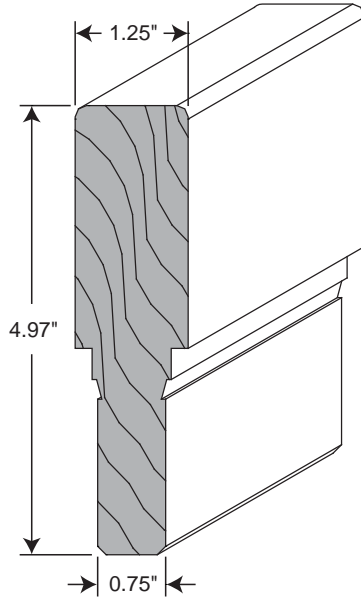
*for:*

*Wood Parts*

---

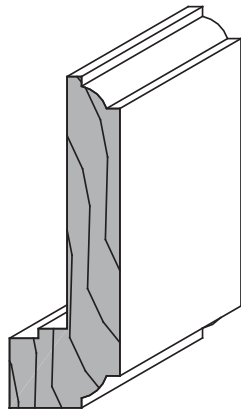
**Wood Parts**

**1 Frame Mull Jamb, 3-Wide Unit**



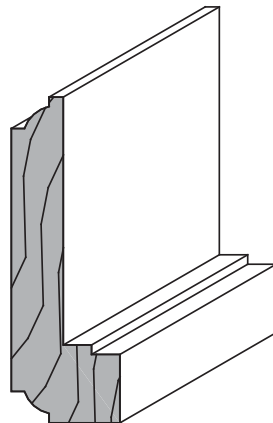
Size	Part No.
Retro	216432
6-10	216433
7-2	216434
8-0	216435

**2 Operator Interlock Cover, Wood, 2, 3 & 4 -Wide Units**



Left Cover

Note: Fastened with  
18 Gage X 1 1/4" T Nail



Right Cover

Size	Length	Left Part No.	Right Part No.
Retro	77"	216483	216487
6-10	80"	216484	216488
7-2	84"	216485	216489
8-0	93"	216486	216490

Note: Parts drawings not to scale.

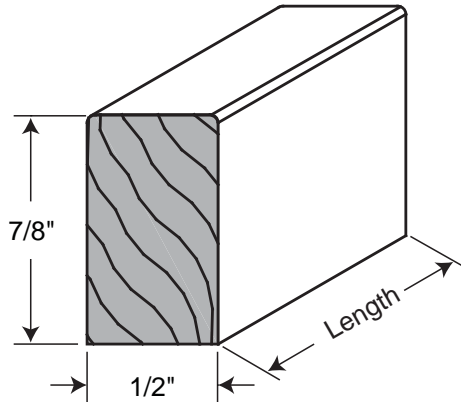
# Sliding & French Sliding Patio Door Replacement Parts

Energy Saver Aluminum Clad Wood



## Wood Parts

### 3 Wood Parting Stop, Head & Jamb 1, 2, 3 & 4 Wide Units



#### Sidelites

Glass Size	Length	Part No.
2-8	28 3/8"	216459
2-10	30 3/8"	216460
3-2	34 3/8"	216461
4-2	46 3/8"	216462
2-8 French	29"	216463
2-10 French	31"	216464
3-2 French	35"	216465
4-2 French	47"	216466

#### Jamb

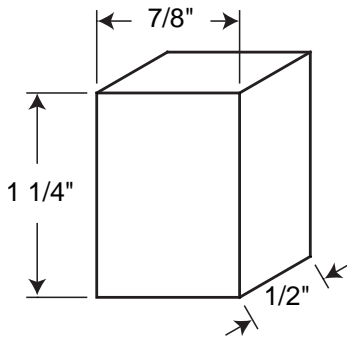
Glass Size	Length	Part No.
Retro	77 1/16"	216440
6-10	80 1/16"	216441
7-2	84 1/16"	216442
8-0	93 1/16"	216443

#### Head, Operating Units

Glass Size	Length	Part No.
2-8	26 9/16"	216436
2-10	28 9/16"	216437
3-2	32 9/16"	216438
4-2	44 9/16"	216439

Lineal Foot Part# 216629

### 4 Parting Stop Plug, Jamb

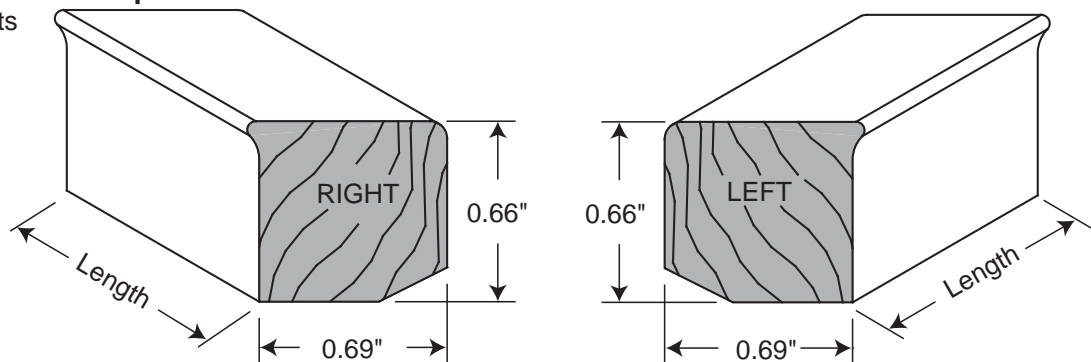


Part# 099870

Material: Closed cell, UV Resistant, (Will be exposed to weatherings)

Color: Black

### 5 Wood Jamb Inside Stop 2 & 3 Wide Units

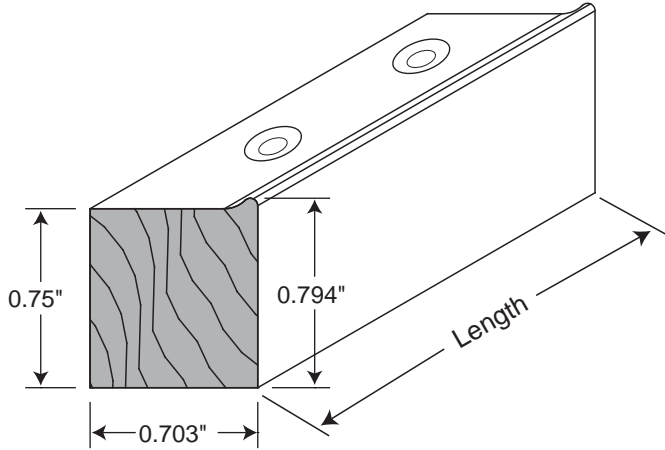


Size	Length	Right Part No.	Left Part No.
Retro	78 3/4"	216455	216451
6-10	81 3/4"	216456	216452
7-2	85 3/4"	216457	216453
8-0	94 3/4"	216458	216454

Note: Parts drawings not to scale.

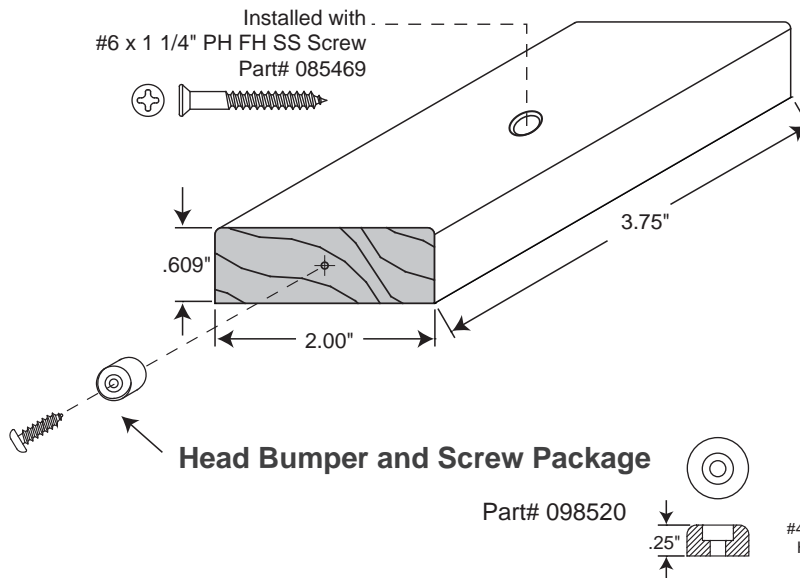
**Wood Parts**

**5 Wood Head Inside Stop**



Size	Length	Part No.
5-0	55 3/4"	216444
5-4	59 3/4"	216445
6-0	67 3/4"	216446
8-0	91 3/4"	216447
10-0 OXXO	56 23/32" (2 Pieces)	216448
12-0 OXXO	68 23/32" (2 Pieces)	216449
16-0 OXXO	92 23/32" (2 Pieces)	216450

**6 Wood Head Operating Panel Bumper Block**

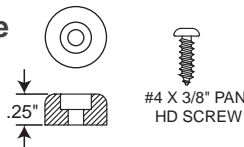


**3 3/4" Bumper Block**  
Wood Species Part No.

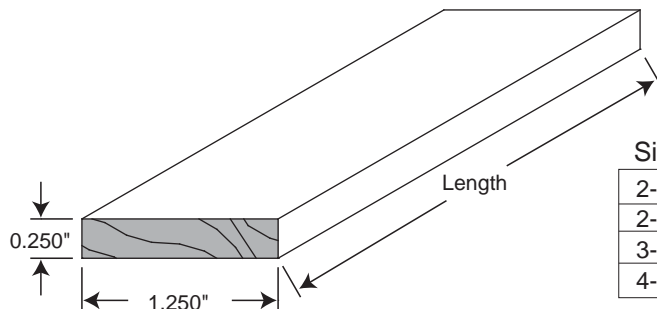
Pine	216645
Douglas Fir	216646
White Oak	216647
Red Oak	216648
Hard Maple	216649
Lyptus	246650
Cherry	216651
Walnut	216652
Mahogany	216653
Alder	216654

**Head Bumper and Screw Package**

Part# 098520



**7 Wood Panel Shim/Astragal Shim**



**Top Rail Shim**

Size	Length	Part No.
2-8	26 1/2"	216989
2-10	28 1/2"	216990
3-2	32 1/2"	216991
4-2	44 1/2"	216992

**Stile Shim**

Size	Length	Part No.
Retro	70"	216993
6-10	73"	216994
7-2	77"	216995
8-0	86"	216996

Note: Parts drawings not to scale.