

*Hurd*TM

Energy Saver Clad Wood

Inswing & French Inswing Patio Door

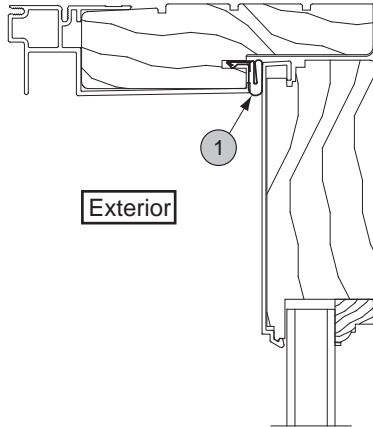
Parts Pages

for:

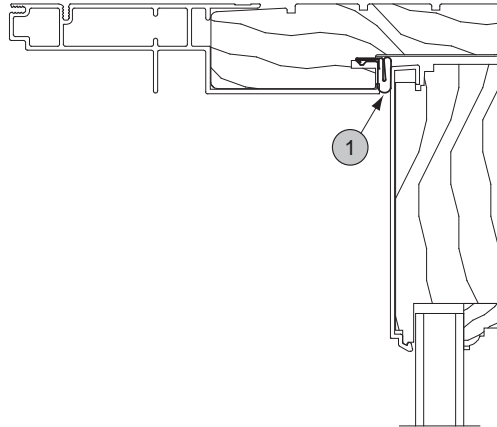
Weatherstrip

Head

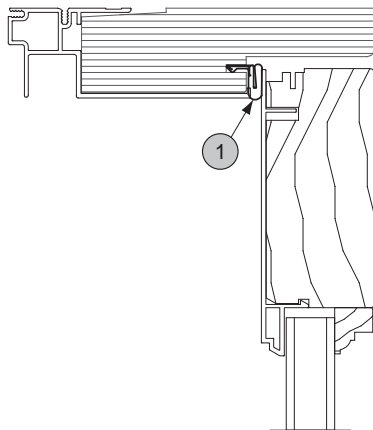
4 9/16" Head



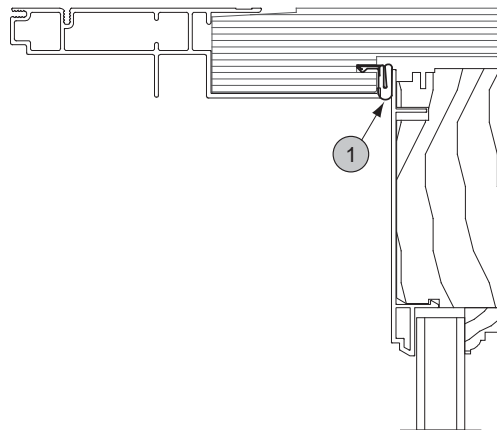
6 9/16" Head



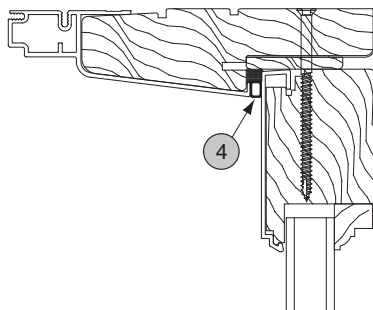
4 9/16" Head, Arch Unit



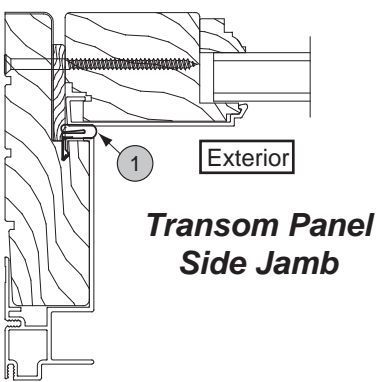
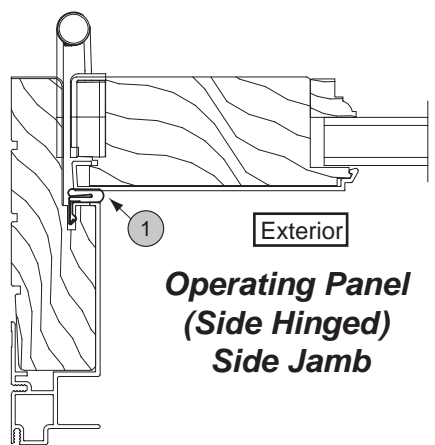
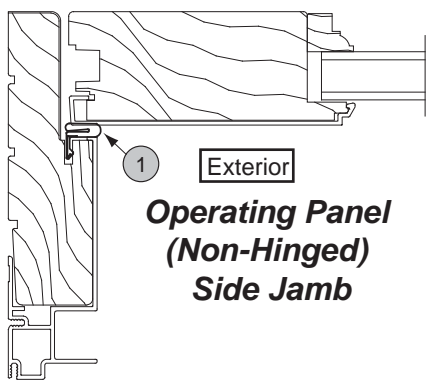
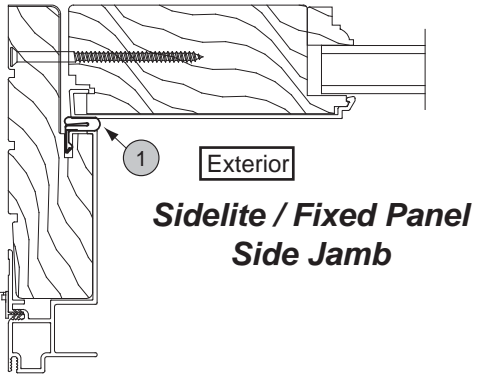
6 9/16" Head, Arch Unit



Inswing Transom



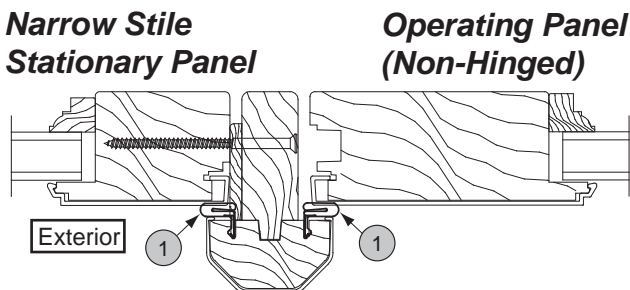
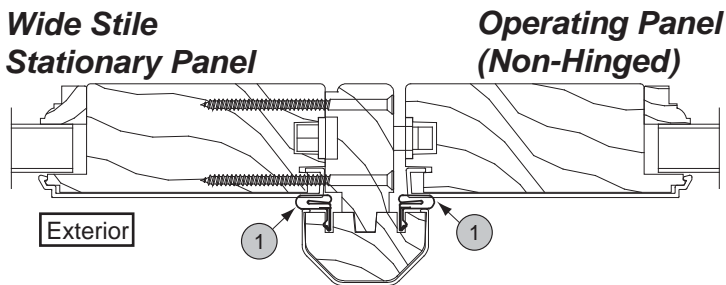
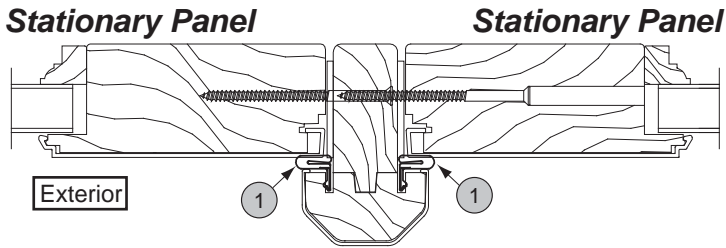
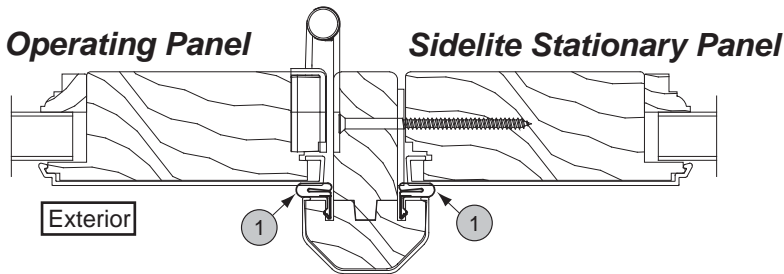
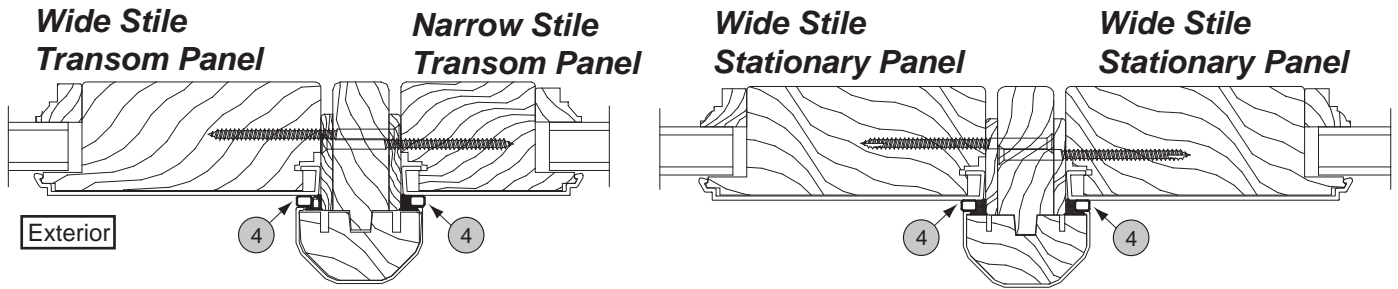
Jambs _____ **Weatherstrip**



Note: Parts drawings not to scale.

Astragal

Weatherstrip



Note: Parts drawings not to scale.

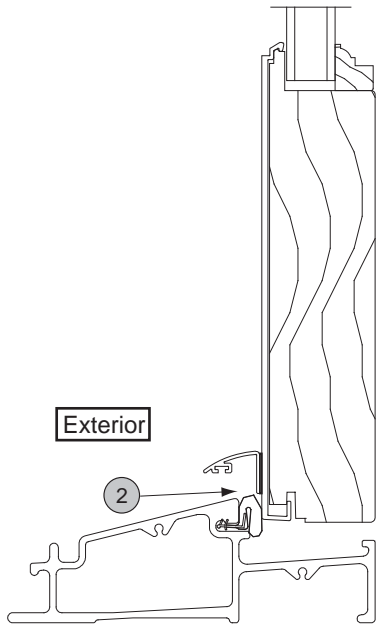
Inswing & French Inswing Patio Door

Energy Saver Aluminum Clad Wood Replacement Parts

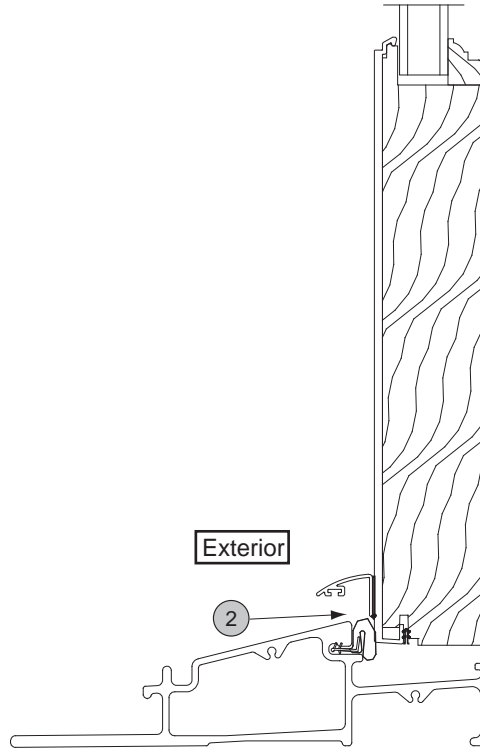


Sill

Weatherstrip

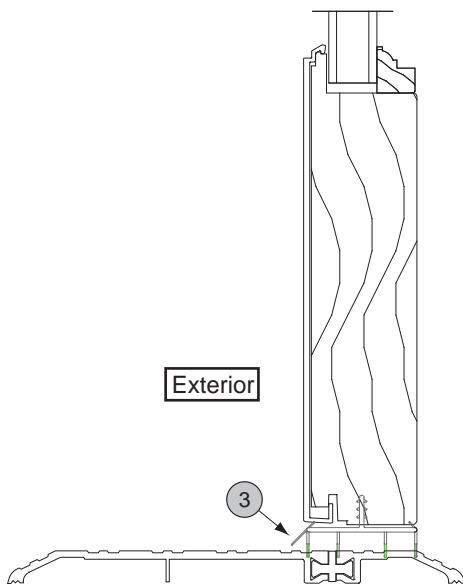


7 1/2" Bottom Rail - Standard Sill

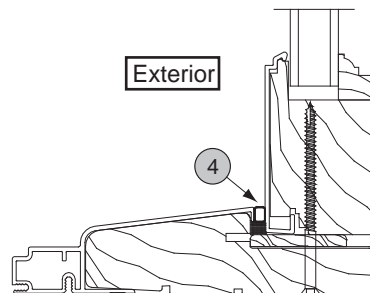


9 1/2" Bottom Rail - Standard Sill

Operating & Stationary Panels, Sill



ADA Sill



Transom Sill

Note: Parts drawings not to scale.

February/2010 July/2010

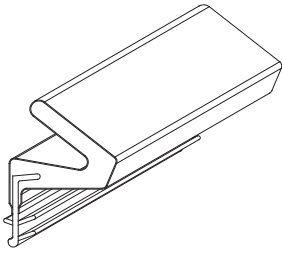
©2010 Hurd Windows & Doors

EISCSPD-4 WTHRSTRP

Rev1 07-27-2010 Weatherstrip #2 Changed. ECN 001100

Weatherstrip

1 **Head, Jamb & Astragal Weatherstrip**



12' (146") Part#
White 098521
Sand 020704
Bronze 098522

Frame Jamb & Stationary Astragal

Size	Length
Retro	76 7/8"
6-10	79 7/8"
7-2	83 7/8"
8-0	92 7/8"
8-3	95 7/8"
9-0	104 7/8"
10-0	116 7/8"

Frame Head Standard Single Wide

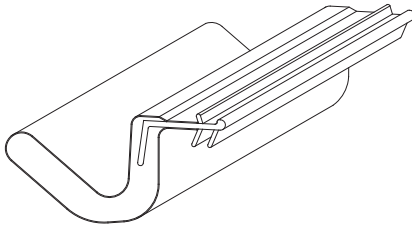
Size	Length
1-0	10 7/8"
1-2	12 7/8"
1-4	14 7/8"
1-6	16 7/8"
1-8	18 7/8"
2-0	22 1/8"
2-6	28 1/8"
2-8	30 1/8"
3-0	34 1/8"
3-2	36 1/8"

Frame Head Standard 2-Wide

Size	Length
2-0/2-0	45 1/4"
2-6/2-6	57 1/4"
2-8/2-8	61 1/4"
3-0/3-0	69 1/4"
3-2/3-2	73 1/4"
3-0/1-0 or 1-0/3-0	46"
3-2/1-0 or 1-0/3-2	48"
3-0/1-2 or 1-2/3-0	48"
3-2/1-2 or 1-2/3-2	50"
3-0/1-4 or 1-4/3-0	50"
3-2/1-4 or 1-4/3-2	52"
3-0/1-6 or 1-6/3-0	52"
3-2/1-6 or 1-6/3-2	54"
3-0/1-8 or 1-8/3-0	54"
3-2/1-8 or 1-8/3-2	56"
3-0/2-0 or 2-0/3-0	57"
3-2/2-0 or 2-0/3-2	59"

2 **Sill Weatherstrip**

L/F Part# Black 099932



1-Wide

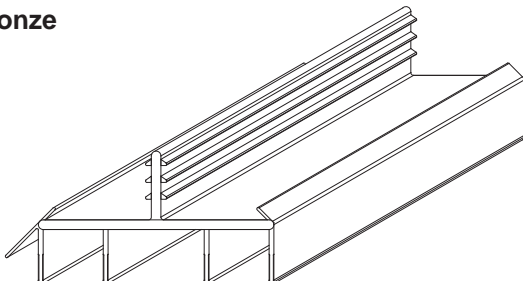
Size	Length
1-0	10 13/16"
1-2	12 13/16"
1-4	14 13/16"
1-6	16 13/16"
1-8	18 13/16"
2-0	22 1/16"
2-6	28 1/16"
2-8	30 1/16"
3-0	34 1/16"
3-2	36 1/16"

2-Wide

Size	Length
2-0/2-0	45 3/16"
2-6/2-6	57 3/16"
2-8/2-8	61 3/16"
3-0/3-0	69 3/16"
3-2/3-2	73 3/16"
3-0/1-0 or 1-0/3-0	45 15/16"
3-2/1-0 or 1-0/3-2	47 15/16"
3-0/1-2 or 1-2/3-0	47 15/16"
3-2/1-2 or 1-2/3-2	49 15/16"
3-0/1-4 or 1-4/3-0	49 15/16"
3-2/1-4 or 1-4/3-2	51 15/16"
3-0/1-6 or 1-6/3-0	51 15/16"
3-2/1-6 or 1-6/3-2	53 15/16"
3-0/1-8 or 1-8/3-0	53 15/16"
3-2/1-8 or 1-8/3-2	55 15/16"
3-0/2-0 or 2-0/3-0	56 15/16"
3-2/2-0 or 2-0/3-2	58 15/16"

3 **ADA Sill Bottom Door Sweep**

Lineal Foot Part# 097842
Bronze



Active Panel

Size	Length
1-0	10 5/8"
1-2	12 5/8"
1-4	14 5/8"
1-6	16 5/8"
1-8	18 5/8"
2-0	21 7/8"
2-6	27 7/8"
2-8	29 7/8"
3-0	33 7/8"
3-2	35 7/8"

Semi-Active & Stationary Panel

Size	Length
1-0	11 11/16"
1-2	13 11/16"
1-4	15 11/16"
1-6	17 11/16"
1-8	19 11/16"
2-0	21 15/16"
2-6	29 15/16"
2-8	31 15/16"
3-0	34 15/16"
3-2	36 15/16"

Note: Parts drawings not to scale.

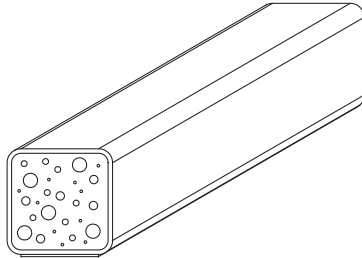
Inswing & French Inswing Patio Door

Energy Saver Aluminum Clad Wood Replacement Parts



Weatherstrip

4 Transom Frame Weatherstrip L/F Part# 096260, Black



Horizontal

Size	Length
1-0	10 3/8"
1-2	12 3/8"
1-4	14 3/8"
1-6	16 3/8"
1-8	18 3/8"
2-0	21 5/8"
2-6	27 5/8"
2-8	29 5/8"
3-0	33 5/8"
3-2	35 5/8"
2-0/2-0	44 3/4"
2-6/2-6	56 3/4"
2-8/2-8	60 3/4"
3-0/3-0	68 3/4"
3-2/3-2	72 3/4"
3-0/1-0 (OR) 1-0/3-0	45 1/2"
3-2/1-0 (OR) 1-0/3-2	47 1/2"
3-0/1-2 (OR) 1-2/3-0	47 1/2"
3-2/1-2 (OR) 1-2/3-2	49 1/2"
3-0/1-4 (OR) 1-4/3-0	49 1/2"
3-2/1-4 (OR) 1-4/3-2	51 1/2"
3-0/1-6 (OR) 1-6/3-0	51 1/2"
3-2/1-6 (OR) 1-6/3-2	53 1/2"
3-0/1-8 (OR) 1-8/3-0	53 1/2"
3-2/1-8 (OR) 1-8/3-2	55 1/2"
3-0/2-0 (OR) 2-0/3-0	56 3/4"
3-2/2-0 (OR) 2-0/3-2	58 3/4"

Vertical

Size	Length
1-1	10 1/4"
1-4	13 1/4"
1-6	15 1/4"
1-8	17 1/4"
2-0	21 1/4"
2-4	25 1/4"

Note: Parts drawings not to scale.