

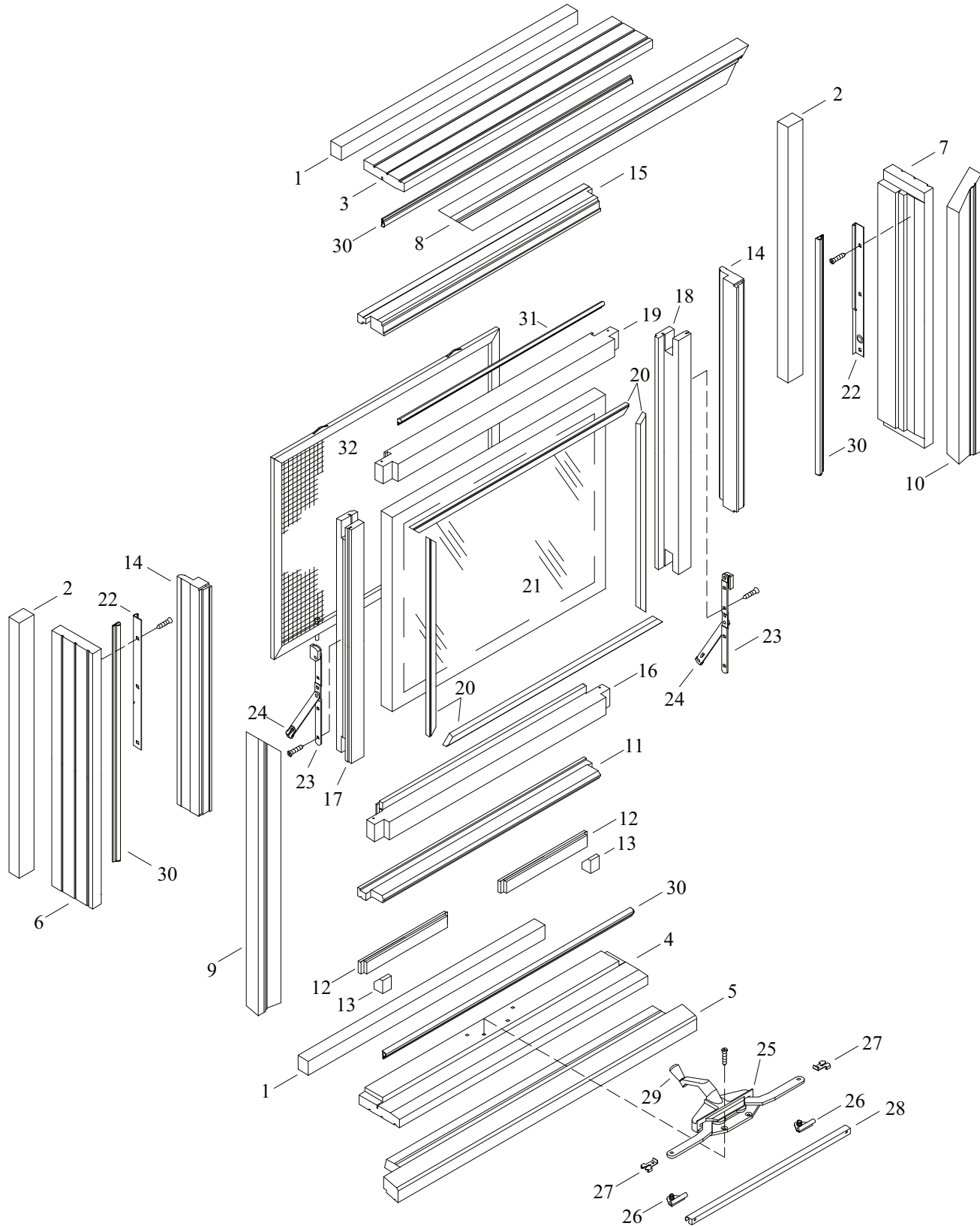
Wood Wood Awning Windows Replacement Parts



Table of Contents

Exploded View	270
Parts List	271
Subsill, Brickmoulds and Stops	272 – 274
Glass Bead	275
Glass	276 – 277
Sash Assembly	278
Insulating Sash	278
Low-E Sash	278
Low-E Climate Control Sash	278
Low-E Sun Blocker Sash	278
Low-E Super Sun Blocker Sash	278
Hardware/Miscellaneous	279 – 281
Awning Hardware	279
Fastener Schedule	280
Weatherstripping/Miscellaneous	280
DLX Awning Hardware	281
Screens	282

Exploded View



Wood Wood
Awning Windows

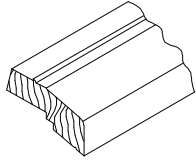
Wood Wood Awning Windows Replacement Parts



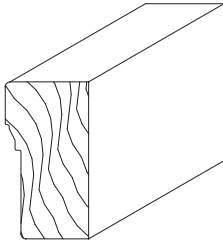
Parts List

Item No.	Description
1.	Head and Sill Extender
2.	Side Jamb Extender
3.	Head Jamb
4.	Sill
5.	Subsill
6.	Left Side Jamb
7.	Right Side Jamb
8.	Head Brickmould
9.	Left Side Brickmould
10.	Right Side Brickmould
11.	Upper Sill Stop
12.	Lower Sill Stop
13.	Sill Stop Blocks
14.	Side Stops
15.	Head Stop
16.	Bottom Rail
17.	Left Stile
18.	Right Stile
19.	Top Rail
20.	Glass Bead (3/4" Insulating)
21.	3/4" Insulating Glass
22.	Hinge Track
23.	Hinge Arm
24.	Hinge Clip
25.	Guide Bar Operator
26.	Guide Bar Operator Shoes
27.	Operator Arm Clips
28.	Guide Bar
29.	Roto Crank Handle
30.	Foam Weatherstrip - Frame
31.	Foam Weatherstrip - Sash
32.	Screen (Fiberglass Mesh)

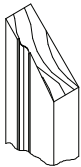
Subsill, Brickmoulds and Stops



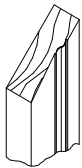
Item #5	
Subsill	Part No.
15 WAWN Subsill	203097
19 WAWN Subsill	203098
23 WAWN Subsill	203099
27 WAWN Subsill	203100
31 WAWN Subsill	203641
35 WAWN Subsill	203105
43 WAWN Subsill	203106
L/F Subsill	200961



Item #8	
Head Brickmould	Part No.
15 WAWN Head Brickmould	203084
19 WAWN Head Brickmould	203085
23 WAWN Head Brickmould	203086
27 WAWN Head Brickmould	203087
31 WAWN Head Brickmould	203640
35 WAWN Head Brickmould	203092
43 WAWN Head Brickmould	203093
L/F Brickmould	200957



Item #9	
Left Side Brickmould	Part No.
11 WAWN Left Side Brickmould	206510
15 WAWN Left Side Brickmould	203285
19 WAWN Left Side Brickmould	203286
23 WAWN Left Side Brickmould	203287
27 WAWN Left Side Brickmould	204799
31 WAWN Left Side Brickmould	203288
L/F Brickmould	200957



Item #10	
Right Side Brickmould	Part No.
11 WAWN Right Side Brickmould	206511
15 WAWN Right Side Brickmould	203289
19 WAWN Right Side Brickmould	203290
23 WAWN Right Side Brickmould	203291
27 WAWN Right Side Brickmould	204800
31 WAWN Right Side Brickmould	203292
L/F Brickmould	200957

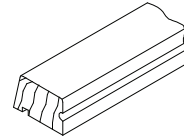
Note: Parts drawings not to scale.

Note: When ordering stops, please note that stops manufactured after January 5, 2004 are shorter due to the change to 5/4 jamb.

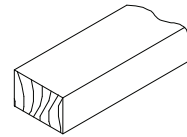
Wood Wood Awning Windows *Hurd* Replacement Parts Windows and Doors

Subsill, Brickmoulds and Stops

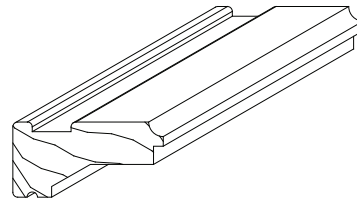
Horizontal Exterior Mull Casing (Not Shown)	Part No.
15 WAWN Horizontal Exterior Mull Casing	206493
19 WAWN Horizontal Exterior Mull Casing	203300
23 WAWN Horizontal Exterior Mull Casing	204798
27 WAWN Horizontal Exterior Mull Casing	203297
31 WAWN Horizontal Exterior Mull Casing	203301
35 WAWN Horizontal Exterior Mull Casing	203298
43 WAWN Horizontal Exterior Mull Casing	203299
L/F WAWN Horizontal Exterior Mull Casing	203359



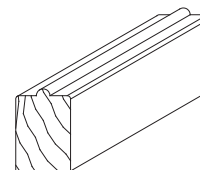
Vertical Exterior Mull Casing (Not Shown)	Part No.
11 WAWN Vertical Exterior Mull Casing	206512
15 WAWN Vertical Exterior Mull Casing	203293
19 WAWN Vertical Exterior Mull Casing	203294
23 WAWN Vertical Exterior Mull Casing	203295
27 WAWN Vertical Exterior Mull Casing	204801
31 WAWN Vertical Exterior Mull Casing	203296
L/F WAWN Vertical Exterior Mull Casing	203348



Item #11 Operating Sill Cover	Standard Part No.	DLX Part No.
15 WAWN Operating Sill Stop	206494	N/A
19 WAWN Operating Sill Stop	203259	207507
23 WAWN Operating Sill Stop	204429	207508
27 WAWN Operating Sill Stop	203256	207509
31 WAWN Operating Sill Stop	203260	207510
35 WAWN Operating Sill Stop	203257	207511
43 WAWN Operating Sill Stop	203258	207512



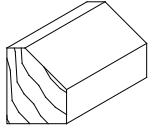
Item #12 Sill Stop - Lower Section (2 Pcs./Operating Unit)	Standard Part No.	DLX Part No.
15 WAWN Lower Sill Stop	206495	N/A
19 WAWN Lower Sill Stop	203277	207500
23 WAWN Lower Sill Stop	204430	207501
27 WAWN Lower Sill Stop	203274	207502
31 WAWN Lower Sill Stop	203278	207503
35 WAWN Lower Sill Stop	203275	207504
43 WAWN Lower Sill Stop	203276	207505



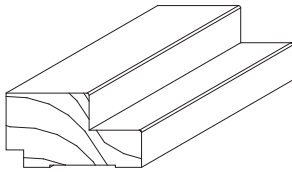
Note: When ordering stops, please note that stops manufactured after January 5, 2004 are shorter due to the change to 5/4 jamb. Note: Parts drawings not to scale.

Subsill, Brickmoulds and Stops

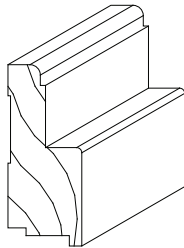
Item #13	Standard Part No.	DLX Part No.
Sill Stop Block (2 Pcs./Operating Unit)		
L/F WAWN Sill Stop Block	203302	207291



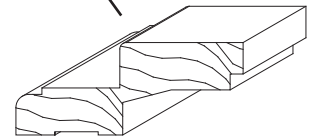
Stationary Head and Sill Stop (Not Shown)	Part No.
15 WAWN Stationary Head and Sill Stop	203037
19 WAWN Stationary Head and Sill Stop	203646
23 WAWN Stationary Head and Sill Stop	203994
27 WAWN Stationary Head and Sill Stop	203047
31 WAWN Stationary Head and Sill Stop	203048
35 WAWN Stationary Head and Sill Stop	203049
43 WAWN Stationary Head and Sill Stop	203050



Item #14	Non-Lock Part No.	L-Lock Part No.	R-Lock Part No.
Operating Unit Side Stops (2 Pcs./Operating Unit)			
11 WAWN Operating Side Stops	206544	207487	207493
15 WAWN Operating Side Stops	203261	207488	207494
19 WAWN Operating Side Stops	203262	207489	207495
23 WAWN Operating Side Stops	203263	207490	207496
27 WAWN Operating Side Stops	205888	207491	207497
31 WAWN Operating Side Stops	203264	207492	207498

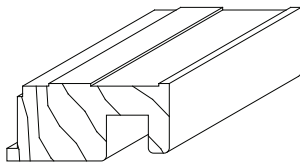


Left / Right Non-Lockside Stop

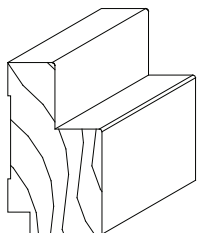


Left / Right Lockside Stop

Item #15	Part No.
Operating Unit Head Stop	
15 WAWN Operating Head Stop	206496
19 WAWN Operating Head Stop	203254
23 WAWN Operating Head Stop	204428
27 WAWN Operating Head Stop	203251
31 WAWN Operating Head Stop	203255
35 WAWN Operating Head Stop	203252
43 WAWN Operating Head Stop	203253



Stationary Side Stops (Not Shown, 2 Pcs./Stationary Unit)	Part No.
11 WAWN Stationary Side Stops	206505
15 WAWN Stationary Side Stops	203037
19 WAWN Stationary Side Stops	203038
23 WAWN Stationary Side Stops	203039
27 WAWN Stationary Side Stops	203040
31 WAWN Stationary Side Stops	203041



Note: Parts drawings not to scale.

Note: When ordering stops, please note that stops manufactured after January 5, 2004 are shorter due to the change to 5/4 jamb.

Wood Wood Awning Windows Replacement Parts

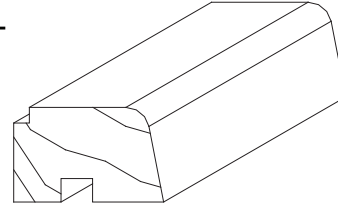


Glass Bead

Item #20

Glass Bead - 3/4" Insulating Glass Part No.

L/F 3/4" Insulating Wood Glass Bead	203125
-------------------------------------	--------



L/F 1" Vinyl Glass Stop - White	014518
---------------------------------	--------

L/F 1" Vinyl Glass Stop - Tan	035028
-------------------------------	--------

Elastomeric sealant - 10 oz. tube (Used between glass and wood on the interior and exterior face of the glass)	019305
-------------------------------------------------------------------------------------------------------------------	--------

Glass Stops Part No.

L/F White Vinyl Glass Stop	014518
----------------------------	--------

L/F Tan Vinyl Glass Stop	035028
--------------------------	--------

Cutting Schedule - Rails and Stiles (45° Cut as follows)

Rails (2 ea.)				Stiles (2 ea.)			
15" Glass	15-9/32"	31" Glass	31-9/32"	11" Glass	11-9/32"	23" Glass	23-9/32"
19" Glass	19-9/32"	35" Glass	35-9/32"	15" Glass	15-9/32"	27" Glass	27-9/32"
23" Glass	23-9/32"	43" Glass	43-9/32"	19" Glass	19-9/32"	31" Glass	31-9/32"
27" Glass	27-9/32"						

Wood Wood
Awning Windows

Glass

Item #21 Glass

Glass Size	3 MM Insulating	Standard 3 MM Low-E	3 MM Low-E	
	Part No.	Part No.	Climate Control*	Super Sun Blocker*
15 x 11	514032	517588		
15 x 15	512272	517595		
15 x 19	512273	517596		
15 x 23	512248	517597		
15 x 27	511350	517598		
19 x 11	515039	517589		
19 x 15	512273	517596		
19 x 19	511495	517602		
19 x 23	512275	517603		
19 x 27	511357	517604		
23 x 11	515040	517590		
23 x 15	512248	517597		
23 x 19	512275	517603		
23 x 23	512276	517608		
23 x 27	511364	517609		
27 x 11	515041	517591		
27 x 15	511350	517598		
27 x 19	511357	517604		
27 x 23	511364	517609		
27 x 27	511371	517613		
31 x 11	515042	517592		
31 x 15	511351	517599		
31 x 19	511358	517605		
31 x 23	511365	517610		
31 x 27	511372	517614		
31 x 31	511496	517617		
35 x 11	515043	517563		
35 x 15	511352	517600		
35 x 19	511359	517606		
35 x 23	511366	517611		
35 x 27	511373	517615		
35 x 31	523070	523091		
35 x 35	511480	517708		

* Climate Control and Super Sun Blocker do not have part numbers.

Continued on next page

Wood Wood
Awning Windows

Wood Wood Awning Windows Replacement Parts



Glass

Continued from previous page

Item #21 Glass

Glass Size	3 MM Low-E		Climate Control *	Super Sun Blocker *
	3 MM Insulating	Standard 3 MM Low-E		
	Part No.	Part No.		
43 x 11	515044	517594		
43 x 15	511353	517601		
43 x 19	511360	517607		
43 x 23	511367	517612		
43 x 27	511374	517616		
43 x 31	523071	523092		
43 x 35	523072	523093		
43 x 43	511485	517713		
47 x 11	515045	517689		
47 x 15	511354	517692		
47 x 19	511361	517724		
47 x 23	511368	517696		
47 x 27	511375	517700		
55 x 11	515046	517690		
55 x 15	511355	517693		
55 x 19	511362	517725		
55 x 23	511369	517697		
55 x 27	511376	517701		

* Climate Control and Super Sun Blocker do not have part numbers.

Tech Tip: Hurd recommends glass only for replacement.

Sash Assembly

Glass Size	Basic Unit Size	Insulating	Low-E		
			Standard	Climate Control	Super Sun Blocker
15 x 11	19-11/16 x 15-11/16				
15 x 15	19-11/16 x 19-11/16				
15 x 19	19-11/16 x 23-11/16				
15 x 23	19-11/16 x 27-11/16				
19 x 11	27-11/16 x 15-11/16				
19 x 15	27-11/16 x 19-11/16				
19 x 19	27-11/16 x 23-11/16				
19 x 23	27-11/16 x 27-11/16				
19 x 27	27-11/16 x 31-11/16				
23 x 11	31-11/16 x 15-11/16				
23 x 15	31-11/16 x 19-11/16				
23 x 19	31-11/16 x 23-11/16				
23 x 23	31-11/16 x 27-11/16				
23 x 27	31-11/16 x 31-11/16				
31 x 11	35-11/16 x 15-11/16				
31 x 15	35-11/16 x 19-11/16				
31 x 19	35-11/16 x 23-11/16				
31 x 23	35-11/16 x 27-11/16				
31 x 27	35-11/16 x 31-11/16				
31 x 31	35-11/16 x 35-11/16				
35 x 11	39-11/16 x 15-11/16				
35 x 15	39-11/16 x 19-11/16				
35 x 19	39-11/16 x 23-11/16				
35 x 23	39-11/16 x 27-11/16				
35 x 27	39-11/16 x 31-11/16				
35 x 31	39-11/16 x 35-11/16				
35 x 35	39-11/16 x 39-11/16				
43 x 11	47-11/16 x 15-11/16				
43 x 15	47-11/16 x 19-11/16				
43 x 19	47-11/16 x 23-11/16				
43 x 23	47-11/16 x 27-11/16				
43 x 27	47-11/16 x 31-11/16				
43 x 31	47-11/16 x 35-11/16				
43 x 35	47-11/16 x 39-11/16				
43 x 43	47-11/16 x 47-11/16				
47 x 11	51-11/16 x 15-11/16				
47 x 15	51-11/16 x 19-11/16				
47 x 19	51-11/16 x 23-11/16				
47 x 23	51-11/16 x 27-11/16				
47 x 27	51-11/16 x 31-11/16				
55 x 11	59-11/16 x 15-11/16				
55 x 15	59-11/16 x 19-11/16				
55 x 19	59-11/16 x 23-11/16				
55 x 23	59-11/16 x 27-11/16				
55 x 27	59-11/16 x 31-11/16				

Tech Tip: Sash size = Glass size + 2-15/16

Wood Wood
Awning Windows

Wood Wood Awning Windows Replacement Parts



Hardware/Miscellaneous

Items #22 - #29

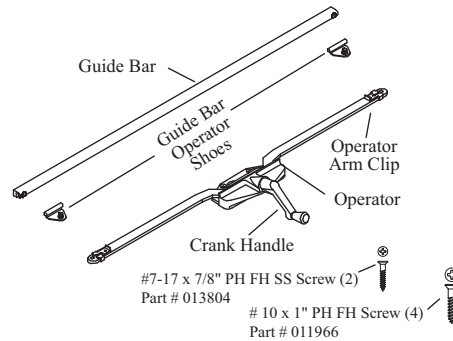
Awning Hardware

(For units manufactured prior to May 3, 2004)

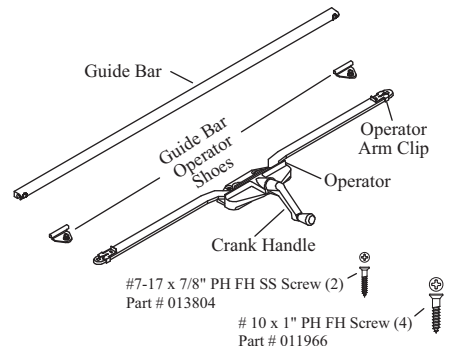
Description	Part No.
WAWN 10" Stainless Steel Hinge Arm/Track Kit (11" and 15" unit heights) Includes: 10" S.S. Left Hinge #098493, 10" S.S. Right Hinge #098494 10" S.S. Left Hinge Track #098487, 10" S.S. Right Hinge Track #098488	096995
WAWN 14" Stainless Steel Hinge Arm/Track Kit (19" unit heights and taller) Includes: 14" S.S. Left Hinge #098483, 14" S.S. Right Hinge #098484 14" S.S. Left Hinge Track #098481, 14" S.S. Right Hinge Track #098482	096996
WAWN 10" Egard Hinge Arm/Track Kit (11" and 15" unit heights) Includes: 10" Left Hinge #098496, 10" Right Hinge #098495 10" Left Hinge Track #098487, 10" Right Hinge Track #098488	096998
WAWN 14" Egard Hinge Arm/Track Kit (19" unit heights and taller) Includes: 14" Left Hinge #098485, 14" Right Hinge #098486 14" Left Hinge Track #098481, 14" Right Hinge Track #098482	096997

Note: Parts drawings not to scale.

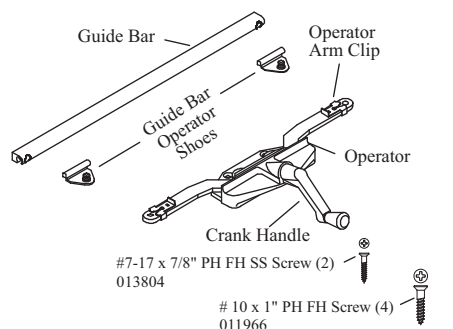
Description	Part No.
27, 31, 35, 43, 47, 55 Glass Width Awning	
WAWN Operator* - Gold Tone	015522
WAWN Operator - White	018986
WAWN Guide Bar Operator Shoes (2)	013575
WAWN Operator Arm Clip	024661
WAWN Guide Bar	013577
WAWN Truth Crank Handle - Gold Tone	010768
WAWN Truth Crank Handle - White	010769



Description	Part No.
19" & 23" Glass Width Awning	
WAWN Operator* - Gold Tone	039553
WAWN Operator - White	039562
WAWN Guide Bar Operator Shoes (2)	013575
WAWN Operator Arm Clip	024661
WAWN Guide Bar	039552
WAWN Truth Crank Handle - Gold Tone	010768
WAWN Truth Crank Handle - White	010769



Description	Part No.
15" Glass Width Awning	
WAWN Short Arm Operator* - Gold Tone	024657
WAWN Short Arm Bar Operator - White	024659
WAWN Short Arm Bar Operator Shoes (2)	013575
WAWN Operator Arm Clip	024661
WAWN Guide Bar	024658
WAWN Truth Crank Handle - Gold Tone	010768
WAWN Truth Crank Handle - White	010769



Hardware/Miscellaneous

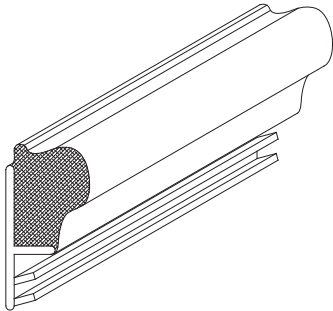
Fastener Schedule

Description	Where Used	Qty.	Part No.
#8 x 1 1/4" PH FH SM Z & Y Screw	Sash Locks to Frame	2 or 4	011965
#7 x 7/8" Toyo PH FH SM SS Screw	Hinge Track to Head and Sill	6	013804
#7 x 7/8" PH FH PBS STL Dorken Screw	Hinges to Top and Bottom Rail	7	099285
#7 x 7/8" PH FH PBS STL Dorken Screw	Guide Bar to Sash	2	099285
#7 x 7/8" PH FH PBS STL Dorken Screw	Fasten Keeper, Bracket and Guide Track	As Req.	099285
#7 x 7/8" PH FH PBS STL Dorken Screw	Operator to Sill	6	099285
#6 x 5/8" PH Pan HD BRZ SM Screw	Tiebar Retainers	2/Retainer	011636
#6 x 1 1/4" PH FH Wood Z&Y Screw	Subsill to Sill	2-4	010607
#8 x 1 3/4" PH FH Screw	Head Board to Jamb	As Req.	011205
#8 x 2" PH FH Zinc Screw	Seat Board to Jamb	As Req.	010785
#6 x 2 3/4" PH FH Wood Z&Y Screw	Picture Sash to Frame/Sash Corners	As Req.	011836
#6 x 5/8" PH Truss Head Screw	Limit Device Slide to Sash	2	085425
#7 x 1/2 PH FL 100 Degree Head SS Screw	Limit Device to Frame	2	013801

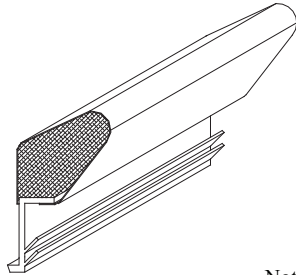
Items #30 - #31

Weatherstripping/Miscellaneous

Item No.	Description	Where Used	Part No.
30	L/F White Foam Weatherstrip	Awning Frame: Head, Sill and Side Jambs	015201
	L/F Bronze Foam Weatherstrip		097826



31	L/F White Foam Weatherstrip	Awning Sash: Top Rail only	019923
	L/F Bronze Foam Weatherstrip		019924



Not Shown	Screen Corner Key - White	Lift rail	094576
	Screen Corner Key - Bronze	Lift rail	094577
	Screen Corner Key - Gold	Lift rail	094575
Not Shown	Plunger and DH Concealed Screen Corner Key		094578

Note: Parts drawings not to scale.

Wood Wood Awning Windows Replacement Parts

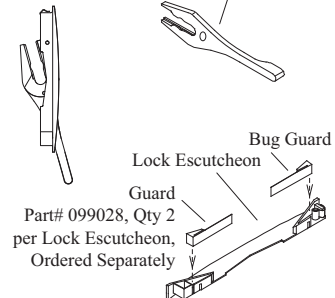
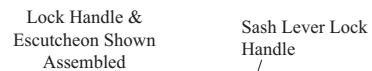
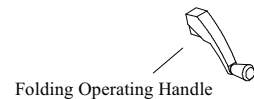
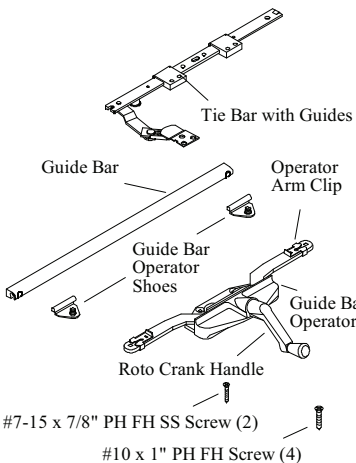
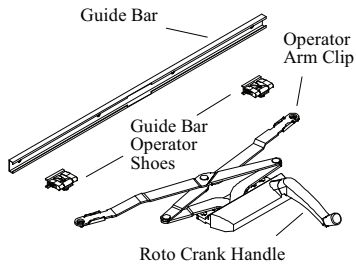
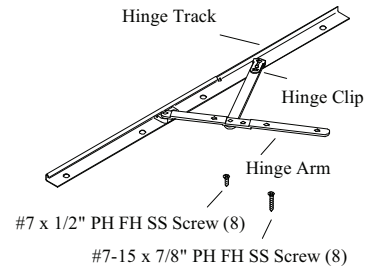


Hardware/Miscellaneous

Items #22 - #29

DLX Awning Hardware**

Item No.	Description	Part No.	
		Left	Right
22	WAWN 14" Stainless Steel Track Assembly	071153	071154
23	WAWN 14" Hinge Arm Assembly*	010784	010786
24	WAWN Hinge Clip	076005	
	19, 23, 27, 31, 35, 43, 47, 55 Glass Width Awnings:		
25	WAWN Guide Bar Operator* - Gold Tone	010739	
	WAWN Guide Bar Operator - 03 Bronze	090939	
	WAWN Guide Bar Operator - White	010740	
	WAWN Guide Bar Operator - Bright Brass	031956	
26	WAWN Roto Crank Handle - Gold Tone	010768	
	WAWN Roto Crank Handle - 03 Bronze	090934	
	WAWN Roto Crank Handle - White	010769	
27	WAWN Guide Bar Operator Shoes (2)	010820	
28	WAWN Operator Arm Clip	012278	
29	WAWN Guide Bar	010766	
Not Shown	WAWN Lock Handle - Gold Tone	010264	
	WAWN Handle - 03 Bronze	090933	
	WAWN Handle - White	010265	
Not Shown	WAWN Lock Escutcheon - Gold Tone	010258	
	WAWN Lock Escutcheon - 03 Bronze	090932	
	WAWN Lock Escutcheon - White	010259	
	WAWN Keeper*	010251	010252
	WAWN Tie Bar with Guides*	093958	093959
	Tie Bar Guide (only)	011790	
	15 Glass Width Awnings:		
25	WAWN Guide Bar Operator* - Gold Tone	024657	
	WAWN Guide Bar Operator - 03 Bronze	091699	
	WAWN Guide Bar Operator - White	024659	
26	WAWN Roto Crank Handle - Gold Tone	010768	
	WAWN Roto Crank Handle - White	010769	
27	WAWN Guide Bar Operator Shoes (2)	013575	
28	WAWN Operator Arm Clip	024661	
29	WAWN Guide Bar	024658	
Not Shown	WAWN Folding Operating Handle - Gold Tone	037188	
	WAWN Folding Operating Handle - White	037189	
Not Shown	Nesting Cover - Brushed Chrome	094568	094567
	Nesting Cover - Oil-Rubbed	094563	094562
Not Shown	Folding Handle - Brushed Chrome	094569	
	Folding Handle - Oil-Rubbed	094564	
Not Shown	Lever Lock - Brushed Chrome	094570	
	Lever Lock - Oil-Rubbed	099808	
	Lever Lock - Gold Tone	096419	
	Lock Lever - White	010265	
Not Shown	Escutcheon with Guard - Brushed Chrome	099837	
	Escutcheon with Guard - Oil-Rubbed	099810	
	Escutcheon with Guard - Gold Tone	099029	
	Escutcheon with Guard - White	099030	



*Black Powder Painted Finish

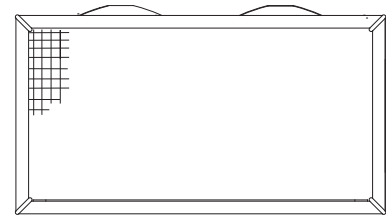
** DLX Hardware is optional for Wood Wood products, and standard on 31" glass width.

Note: Parts drawings not to scale.

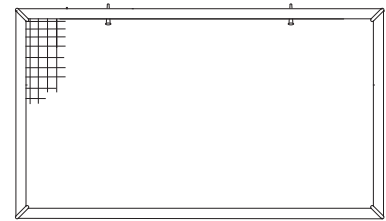
Screens

Item #32 Replacement Screens

Glass Size	Bronze	Gold		White	
	Lift Rail Part No.	Lift Rail Part No.	Plunger Part No.	Lift Rail Part No.	Plunger Part No.
15 x 11	N/A	070037	039397	070072	039398
15 x 15	N/A	070029	026178	070063	026722
15 x 19	N/A	070027	022257	070064	026723
15 x 23	N/A	070030	026719	070065	026724
19 x 11	093786	070031	035046	070066	035059
19 x 15	093787	070018	019567	070055	019566
19 x 19	093788	070015	014616	070038	019281
19 x 23	093789	070022	020169	070057	020170
19 x 27	093790	092735	N/A	092721	N/A
23 x 11	093791	070032	035047	070067	035060
23 x 15	093792	070025	020311	070058	020765
23 x 19	093793	070017	019013	070054	019297
23 x 23	093794	070021	020168	070056	019930
23 x 27	093795	092736	N/A	092722	N/A
27 x 11	093796	070033	035048	070068	035061
27 x 15	093797	070001	010799	070039	019282
27 x 19	093798	070002	010800	070040	019283
27 x 23	093799	070003	010801	070041	019284
27 x 27	093800	070020	019939	070059	020766
31 x 11	093801	070034	035049	070069	035062
31 x 15	093802	070012	014309	070042	019285
31 x 19	093803	070013	014310	070043	019286
31 x 23	093804	070014	014311	070044	019287
31 x 27	093805	070024	020302	070060	020767
31 x 31	093806	070011	011759	070045	019288
35 x 11	093807	070035	035050	070070	035063
35 x 15	093808	070004	010802	070046	019289
35 x 19	093809	070005	010803	070047	019290
35 x 23	093810	070006	010804	070048	019291
35 x 27	093811	070019	019937	070061	020768
35 x 31	093812	070010	010819	070049	019292
35 x 35	093813	070527	N/A	012038	N/A
43 x 11	093814	070036	035051	070071	035064
43 x 15	093815	070007	010805	070050	019293
43 x 19	093816	070008	010806	070051	019294
43 x 23	093817	070009	010807	070052	019295
43 x 27	093818	070026	020770	070062	020769
43 x 31	093819	070016	014645	070053	019296
43 x 35	093820	070023	020226	070174	N/A
43 x 43	093821	092737	N/A	092724	N/A
47 x 11	093822	092738	N/A	092725	N/A
47 x 15	093823	092739	N/A	092726	N/A
47 x 19	093824	092740	N/A	092727	N/A
47 x 23	093825	092741	N/A	092728	N/A
47 x 27	093826	092742	N/A	092729	N/A
55 x 11	093827	092743	N/A	092730	N/A
55 x 15	093828	092744	N/A	092731	N/A
55 x 19	093829	092745	N/A	092732	N/A
55 x 23	093830	092746	N/A	092733	N/A
55 x 27	093831	092747	N/A	092734	N/A



Screen with Lift Rail



Screen with Plungers



AWN White Spring Screen Cap
Part# 025689



AWN Black Spring Screen Cap
Part# 025708



AWN Screen Spring
Part# 025688



Screen Plunger
Part# 025687

Wood Wood
Awning Windows